



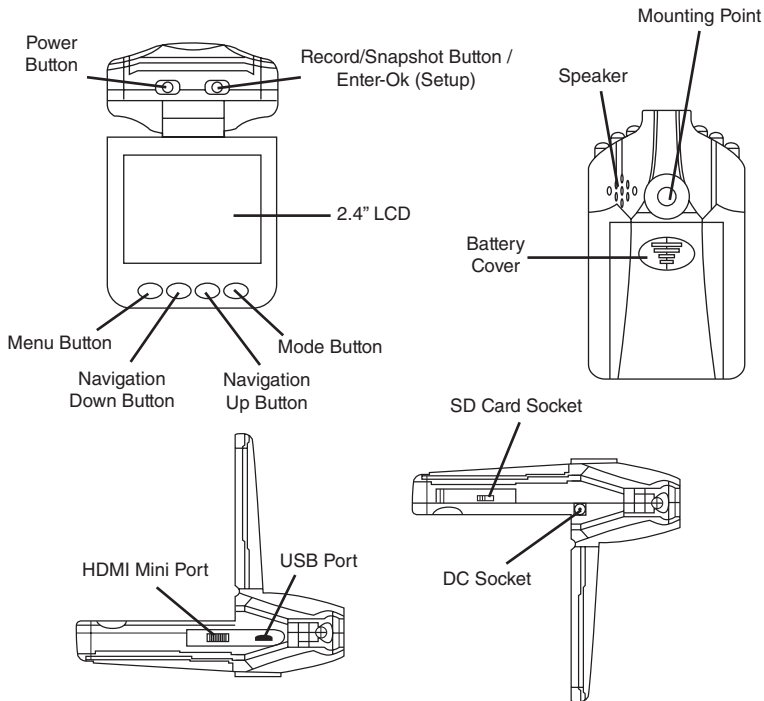
HD Car DVR w/LCD

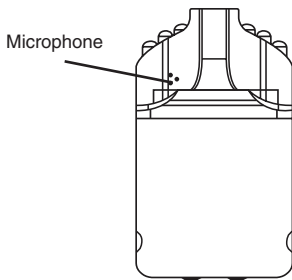
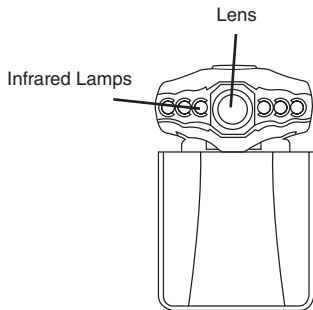
P16-41473

Instruction Manual



Illustration





Installation:

1. Insert the included SD Card to the DVR.
2. Connect the small end of the power cable to the device and the larger end to the automobile's 12V/24V DC socket.
3. Press POWER button to turn on the DVR.
4. After the car is started and power is provided to the DC power port, the DVR will start recording automatically.
5. After the car has been turned off and the DVR is no longer receiving power, it will automatically store all recorded data and power down by itself.

Features:

1. *Record Mode:* When powered, the DVR will automatically enter record mode and start recording.
2. *Camera Mode:* Press the Mode button. This will allow you to take snapshot pictures by pressing the snapshot button.
3. *Preview Mode:* Press the Mode button twice to access the preview mode. This will allow you to view, playback or delete files stored on the device. Press the up and down buttons to select the desired file and then press the Record button to play the file. You can also press the Record button again to pause. Files are stored in folders according to the Year/Month/Date recorded and the individual files are named after the Hour/Minute/Second times.
 - *Deleting Files:* In order to delete a file when in preview mode, press the menu button and select “Delete One”, then press the Record button to select “Yes”, and again to delete. To delete multiple files at once, press the up/down buttons to select “Delete All”. This option is accessible in the Setup screen of the Preview Mode.
 - *Formatting:* You may also choose “Format” to completely erase all data from the memory card. This option is accessible in the Setup screen of the Record Mode.

Settings

After powering the device, press the menu button to access the setup interface. In the setup interface, use the Navigation Up/Down Buttons to select the desired mode and press the Record Button to access the item.

- *Video Size*: Allows you to choose between the different screen resolutions including: 1280x720 (HD), 848x480 (D1), 640x480 (VGA), 320x240 (QVGA) pixels. The default setting is 1280x720 (HD).
- *Sound Recording*: Allows the ability to turn on or off the microphone.
- *Volume*: Choose between 8 audio levels.
- *Infrared Lamp*: Choose “Auto” to allow the DVR to automatically switch to night vision when necessary.
- *Motion Detection*: Allows the DVR to automatically begin recording when it detects movement.
- *Frame Rate*: Allows the selection between 10, 20 or 30 FPS (Frames per Second)
- *Recording Time*: Allows the selection of recording files up to 2, 5 or 15 minutes long.
- *Date Stamp*: Will automatically add a watermark to all recordings with the date and time.
- *Date/Time*: Used to input the current date and time.
- *Language*: Allows the selection of English, French or Spanish
- *Frequency Setting*: Allows for the selection between 50 HZ and 60 HZ
- *Default Settings*: Will restore the device back to original factory settings.
- *Version Number*: Indicates the current firmware/hardware of the device.

Accessing Files via a PC:

1. Connect the DVR to a PC with the included USB cable.
2. The “Removable disk” icon will appear on the computer’s taskbar.
3. The recorded files will be stored similar the contents of a flash drive.
4. Power the device by keeping the On/Off button pressed for 3 seconds.

Connecting to an External Display:

- Simply connect the camera to any TV via the “HDMI Out” using a mini to HDMI cable (not included) and enter the DVR into Preview Mode.

Suggestions for Use:

- Make sure an SD card is inserted before recording.
- The device will not start recording until the user has entered in the proper time settings.
- When memory is at capacity, the camera will automatically re-record over the oldest file.
- When the battery is low, the DVR will indicate a “Low battery” icon on the screen and automatically shut down after 20 seconds.
- The recording cannot be stopped by using REC button when the “Motion detection” mode is activated.

Technical Specifications:

- Video Resolution: 1280x720 (HD), 848x480 (D1), 640x480 (VGA), 320x240 (QVGA) Pixels
- Video Format: H.264
- Power Supply: 12V/24V Car Charger
- SD/MMC Card Support: 1GB - 64GB
- 2.5" LCD w/ 270° Visibility
- Data Transfer: USB 2.0 & HDMI

Proximus Products
8300 West Flager St.
Suite# 121-106
Miami, FL 33144

Technical Support:
1(888) 222-5487

© 2011 Streak Products Inc. Proximus® is a registered trademark of Streak Products Inc.
* Streak Products is not responsible for typographical or photographic errors.