

User Manual

PPC-070B Series Mini All in One Panel Computer

Preliminary Revision 1.00
July 8, 2010

Zerotech Technology Inc.



1. Features

- All in one touch 7.0" LCD mini computer
- Touch Panel : 4W Resistive Type
- Fan/Fan-less available
- VIA Eden/Nano Processor
- Support DDR2 533 SODIMM up to 2GB
- 9 COM + 6 USB extension capability
- 8G SSD + Micro SD + 2.5" HDD space (MPC-0811 case)
- VGA + LAN + WIFI (option)

2. Checklist

- 1x PPC-070B
- 1x Power Adapter
- 1x Power Cord
- 1x Driver CD

3. Product Specifications

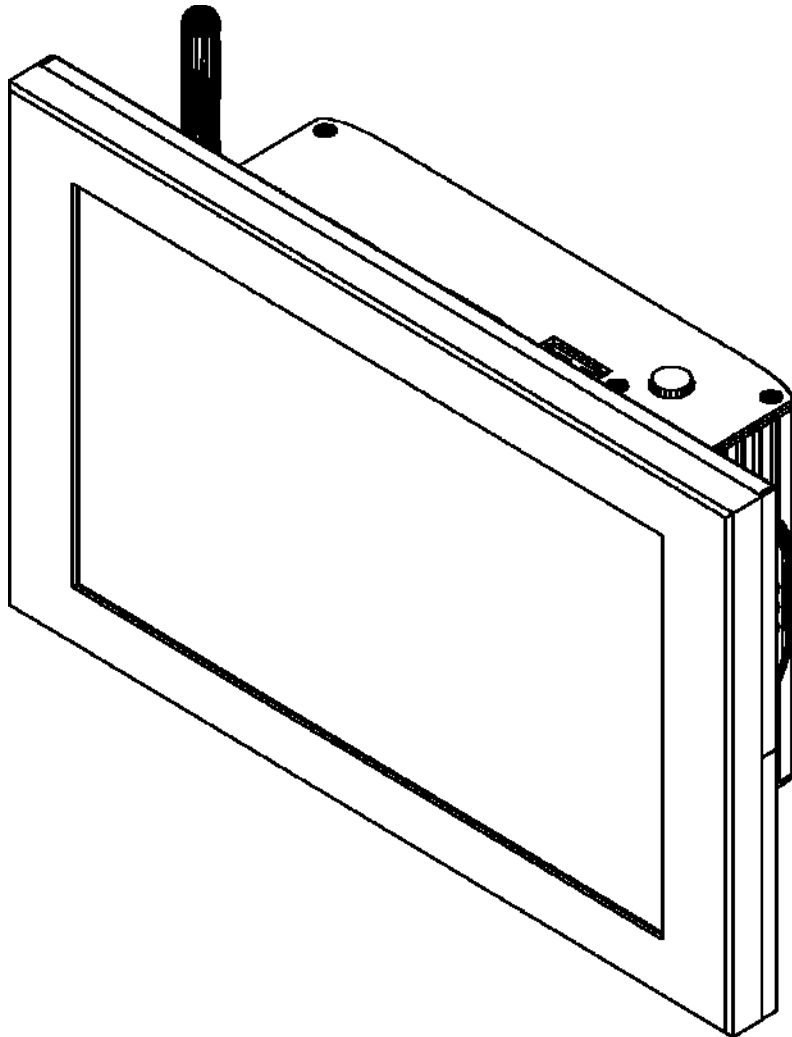
PPC-070B general specification	
LCD Size	7.0" WVGA
Resolution	840 x 480
Luminance(cd/m²)	400
Backlight Lifetime	50,000hrs
Touch Screen Type	4 wire, Resistive
Power Supply	Input: 100-240 VAC, 50-60 Hz, Output: 36W, 12VDC , 3A
Temperature/ Humidity	Operating: 0°C to 35°C, 0%-90%, non-condensing Storage: -20°C to 80°C, 0%-90%, non-condensing
Dimensions	See below drawing
Weight	To be defined
Certification	CE, FCC Class A

Note: On the PPC-070B behind, which is combined with MPC-0811/ MPC-0812 Mini Box Computer. Please refer to the MPC-0811/MPC-0812 series manual for detail information.

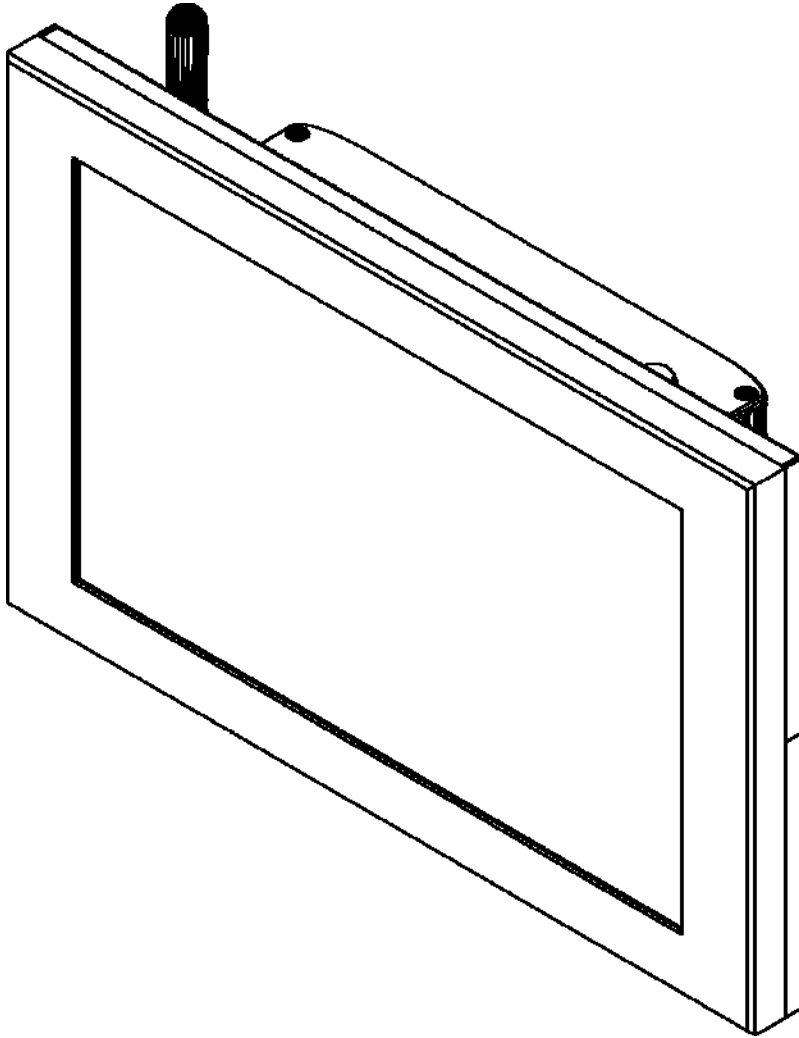
System outlook

Refer to the diagrams below to identify the components of the system.

PPC-070B-11(with MPC-0811 case)



PPC-070B-12(with MPC-0812 case)



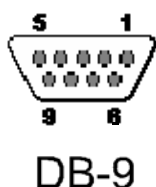
4. Extension COM port definition

I/O TYPE	COM Port number
TYPE 0/1	COM2, COM3, COM4, COM5, COM6, COM7, COM8, COM9, COM10
TYPE 2	COM3, COM7, COM8, COM9

Note: COM1 occupied by touch controller (option)

COM3/COM7/COM8/COM9

Those DB-9 male connectors support RS-232 12V Level



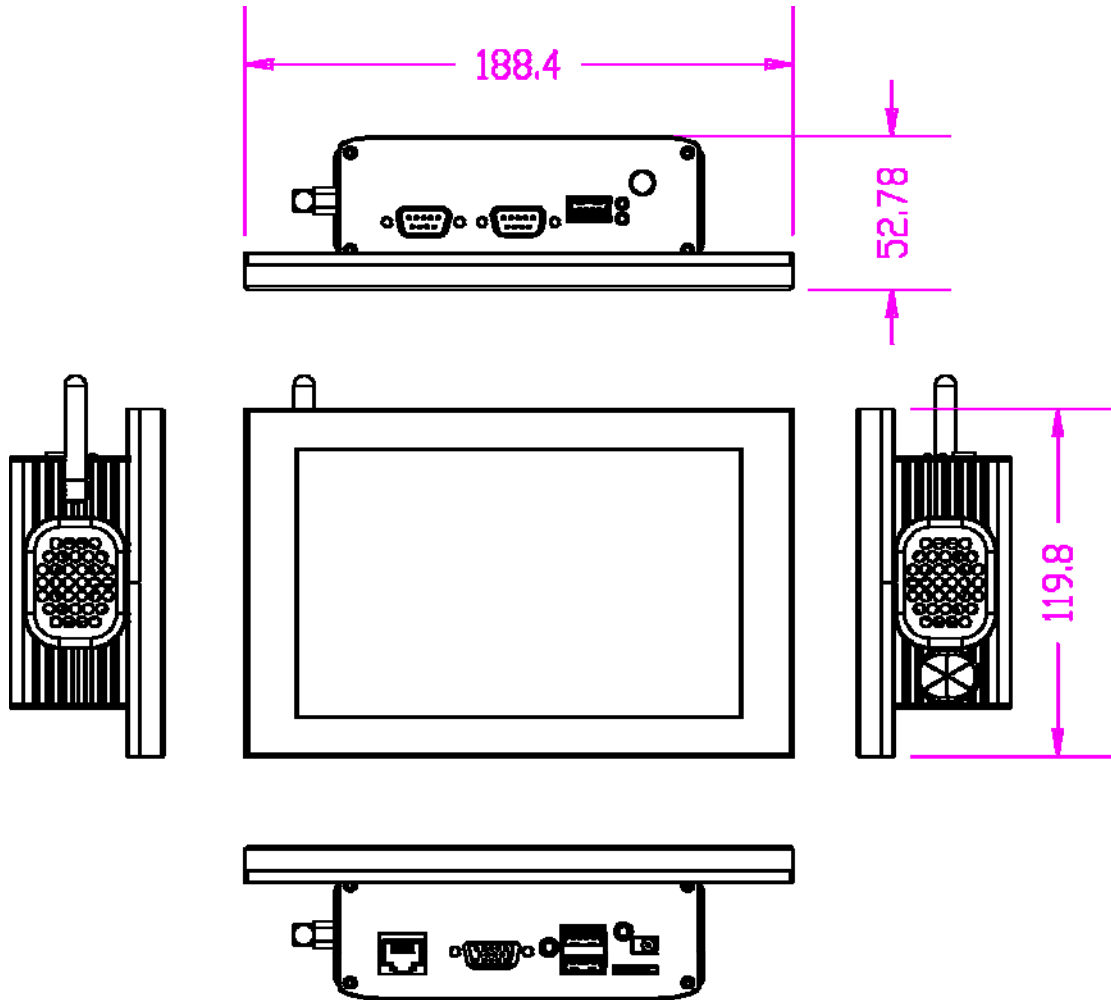
Pin	Signal
1	DCD, Data carrier detect
2	RXD, Receive data
3	TXD, Transmit data
4	DTR, Data terminal ready
5	GND, ground
6	DSR, Data set ready
7	RTS, Request to send
8	RTS, Request to send
9	RTS, Request to send

COM2/COM4/COM5/COM10

Pin	Signal
1	NC
2	RXD, Receive data
3	TXD, Transmit data
4	DTR, Data terminal ready
5	GND, ground
6	DSR, Data set ready
7	RTS, Request to send
8	RTS, Request to send
9	NC

5. Mechanical Dimensions

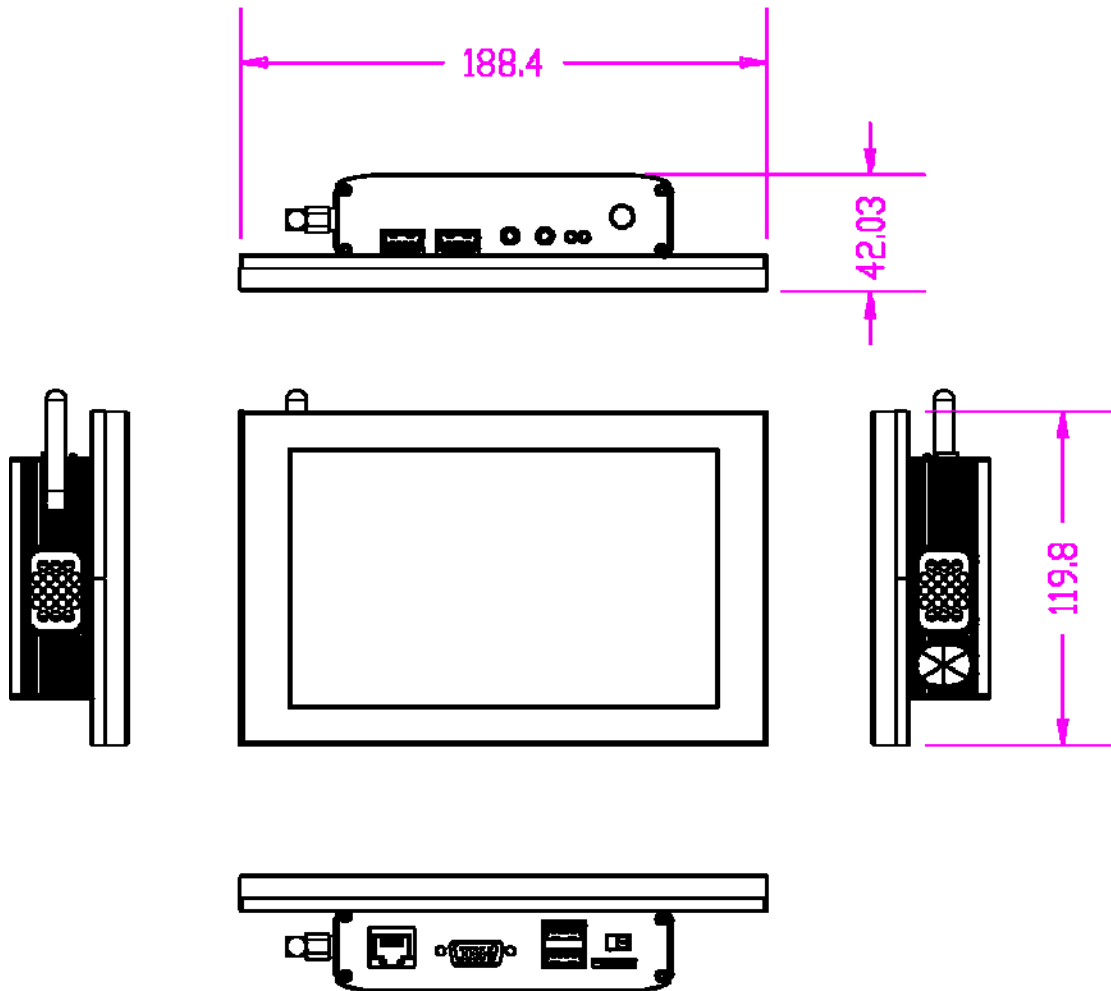
PPC-070B-11(with MPC-0811 case)



Dimensions in millimeters

Mechanical Dimensions

PPC-070B -12(with MPC-0812 case)



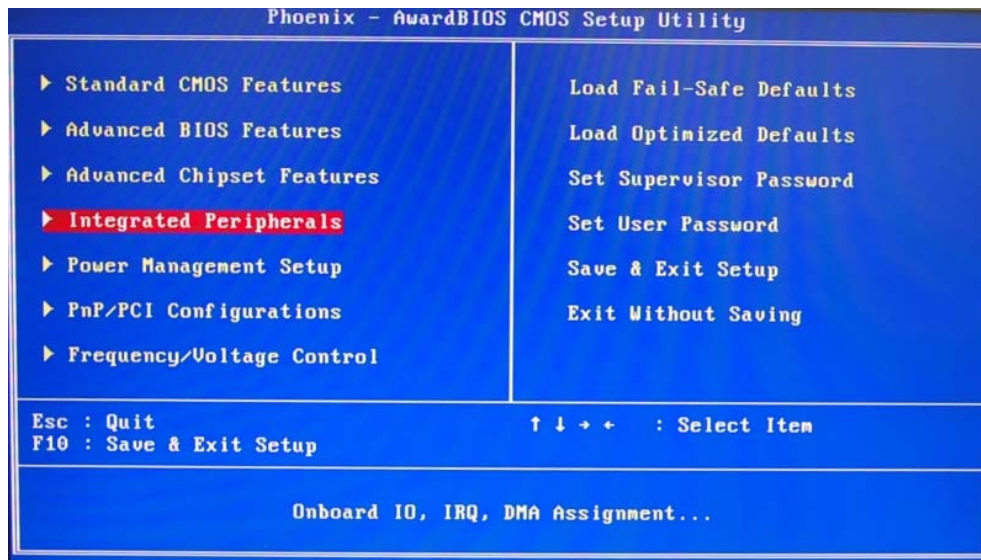
Dimensions in millimeters

6. AWARD BIOS Setting COM port

Main Menu

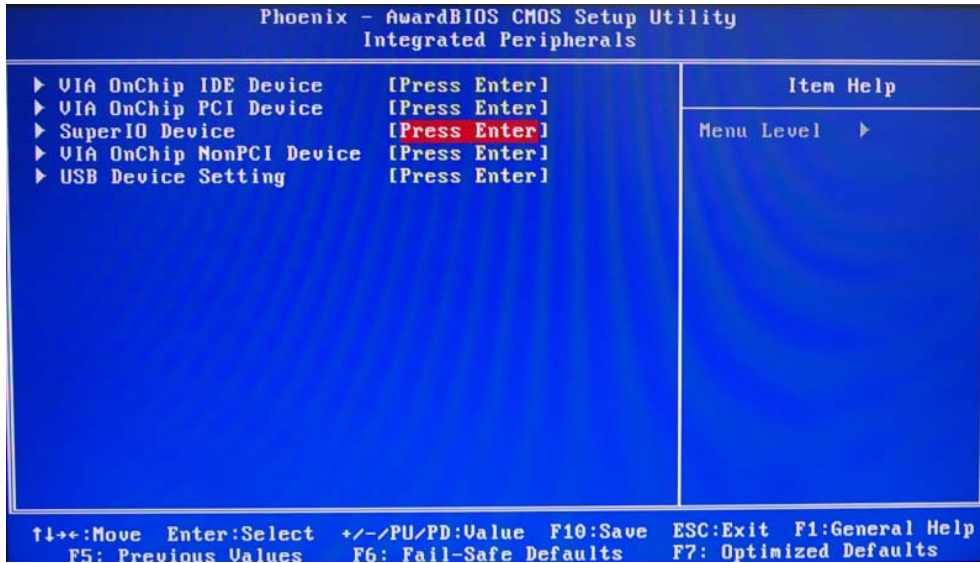
The BIOS Setup is accessed by pressing the “DEL” key after the Power-On Self-Test (POST) memory test begins and before the operating system boot begins. Once you enter the BIOS Setup Utility, the Main Menu will appear on the screen. The Main Menu provides System Overview information and allows you to set the System Time and Date.

Now use the “<” and “>” cursor keys to navigate to “Integrated Peripherals” menu screen, and depress “Enter”.



Integrated Peripherals Sub-Menu

Use the “Down” cursor keys to navigate to “Super IO Device” menu screen, and depress “Enter”.



Super IO Device Sub-Menu

From this menu, Use the “UP”, “Down” cursor keys and “Enter” key to select COM port “ADDRESS” with IRQ number. The default value was setting as following picture.

