

INSTALLER: LEAVE THESE INSTRUCTIONS WITH THE APPLIANCE

INSTALLATION MANUAL

Electric 30-inch Free-standing, Slide-in & Drop-in Ranges

PLEASE KEEP THIS MANUAL FOR FUTURE REFERENCE

THE MANUAL IS INTENDED TO ASSIST IN THE INITIAL INSTALLATION AND ADJUSTMENTS OF THE RANGE.

SPECIAL WARNING

Only qualified personnel should install or service this range.

Read “Safety Instructions” in the Use & Care book before using range.

Improper installation, adjustment, alteration, service, maintenance or use of range can result in serious injury or property damage.

CLEARANCE DIMENSIONS

For complete information in regard to installation of free-standing, drop-in and slide-in ranges, see figures 1 through 4 on pages 2, 3 and 4. For **SAFETY CONSIDERATIONS** do not install a range in any combustible cabinetry which is not in accord with the installation clearances shown in figure 1.

CAUTION: Some cabinets and building materials are not designed to withstand the heat produced by the normal safe operation of a listed appliance. Discoloration or damage, such as delamination, may occur.

Your range may not be equipped with some of the features referred to in this manual.

8101P371-60
(10-2000-00)

MOBILE HOMES

The installation of a range designed for mobile home installation must conform with the Manufactured Home Construction and Safety Standard, Title 24 CFR, Part 3280 (formerly the Federal Standard for Mobile Home Construction and Safety, Title 24 HUD, Part 280) or, when such standard is not applicable, the Standard for Manufactured Home Installations 1982 (Manufactured Home Sites, Communities and Set-Ups), ANSI A225.1-latest edition, or with local codes.

LOCATING THE RANGE

Place range in a well lit area. Do not set range over holes in the floor or other locations where it may be subject to strong drafts. Any opening in the wall behind the range and in the floor under the range should be sealed. Make sure the flow of combustion or ventilation air is not obstructed.

INSTALLATION DRAWINGS

IMPORTANT

PLEASE KEEP FOR THE USE OF THE LOCAL ELECTRICAL INSPECTOR.

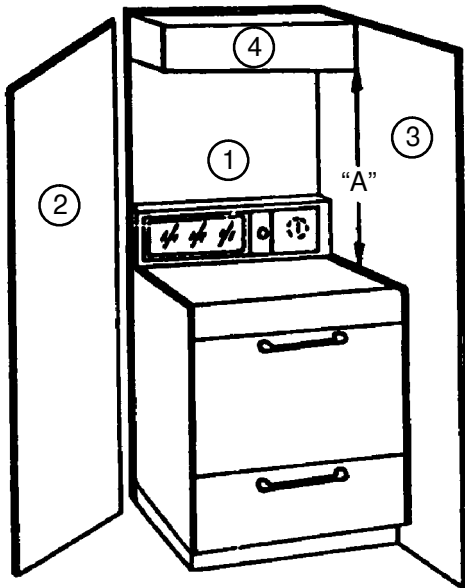


FIGURE 1

“A” = 30 inches minimum clearance between the top of the cooking surface and the bottom of an unprotected wood or metal cabinet, or “A” = 24 inches minimum when bottom of wood or metal cabinet is protected by not less than 1/4-inch thick flame-retardant millboard covered with not less than No. 28 MSG sheet steel, 0.015-inch thick stainless steel, 0.024-inch thick aluminum, or 0.020-inch thick copper.

To eliminate the risk of burns or fire by reaching over heated surface units, cabinet storage space located above the surface units should be avoided. If cabinet storage is to be provided, the risk can be reduced by installing a range hood that projects horizontally a minimum of 5 inches beyond the bottom of the cabinets.

FIGURE 1

- 1, 2, 3 - COMBUSTIBLE BUILDING WALLS.
- 4 - COMBUSTIBLE WALL CABINET.

A free-standing range may be installed adjacent to (0" from) combustible walls 1, 2 & 3.

A slide-in and drop-in range may be installed adjacent to (0" from) combustible walls 2 & 3. The rear wall clearance will be determined by cabinet cut-out depth shown in illustrations on pages 3 and 4.

FREE-STANDING

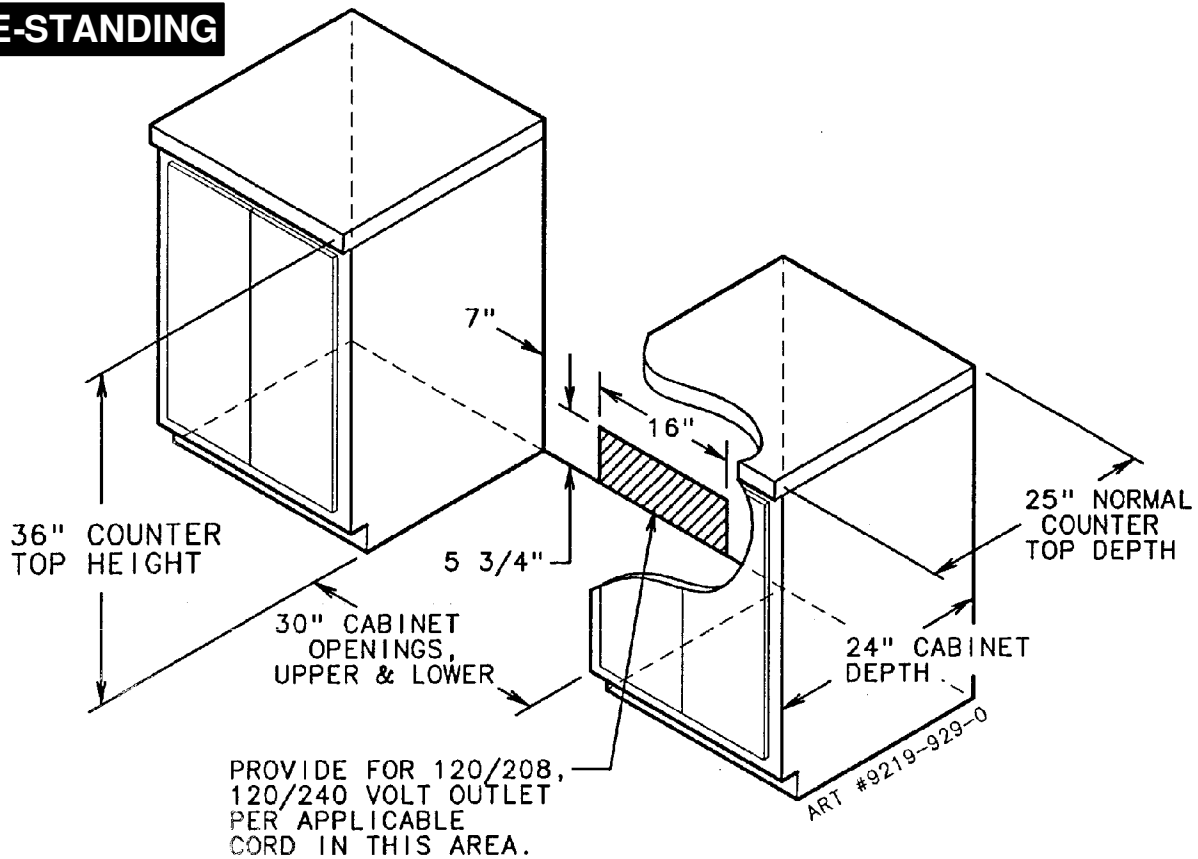
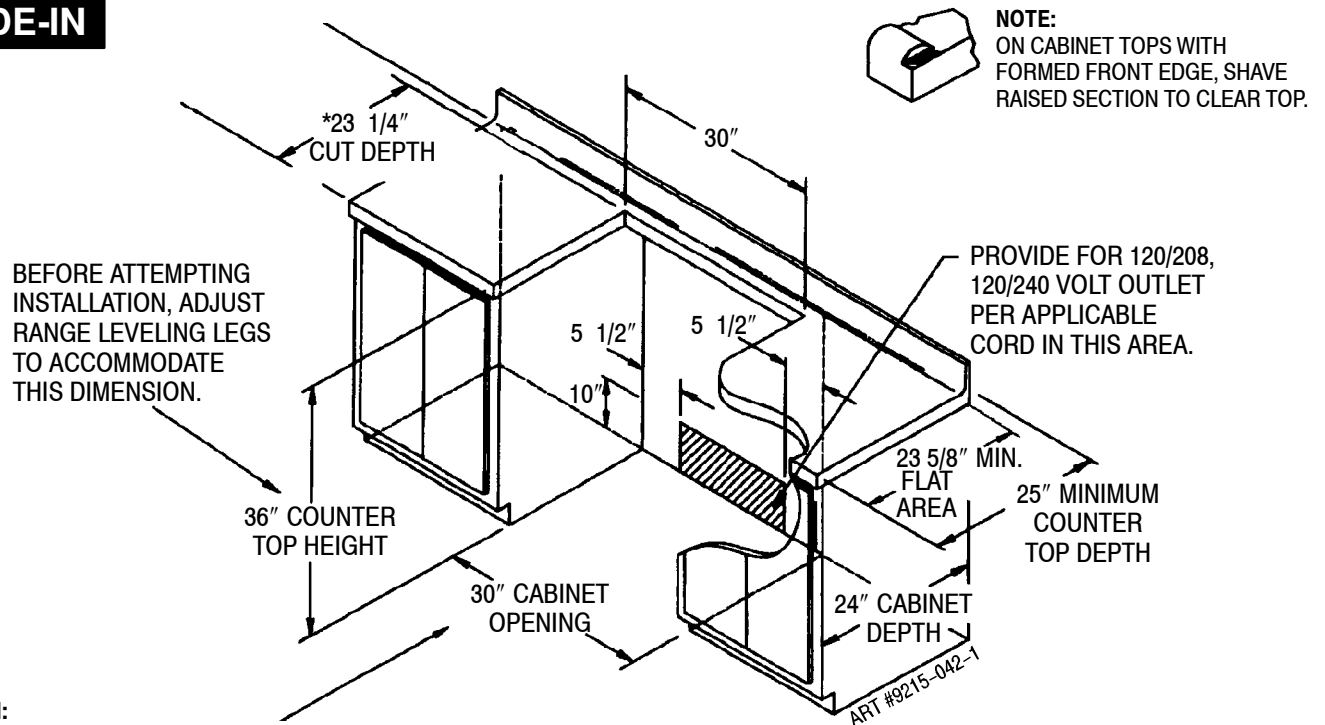


FIGURE 2

SLIDE-IN



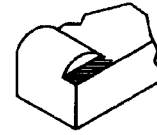
CAUTION:

SOME WHITE EUROPEAN STYLE CABINETS ARE EQUIPPED WITH DELICATE WHITE VINYL DRAWER AND DOOR FRONTS. THE VINYL MAY NOT BE DESIGNED TO WITHSTAND THE HEAT PRODUCED BY THE NORMAL SAFE OPERATION OF A SELF-CLEAN RANGE. DISCOLORATION OR DELAMINATION MAY OCCUR. TO AVOID POSSIBLE DAMAGE, WE RECOMMEND INCREASING THE 30" CABINET OPENING TO 31 1/4" MINIMUM AND USING HEAT SHIELD KIT-CABKIT V. THE COUNTERTOP CUT-OUT MUST REMAIN 30".

FIGURE 3

* When replacing an existing unit, a maximum of 23 1/2" is acceptable. If the cut depth exceeds 23 1/2", use filler kit (K70 Fill).

DROP-IN



NOTE:
ON CABINET TOPS WITH
FORMED FRONT EDGE, SHAVE
RAISED SECTION TO CLEAR TOP.

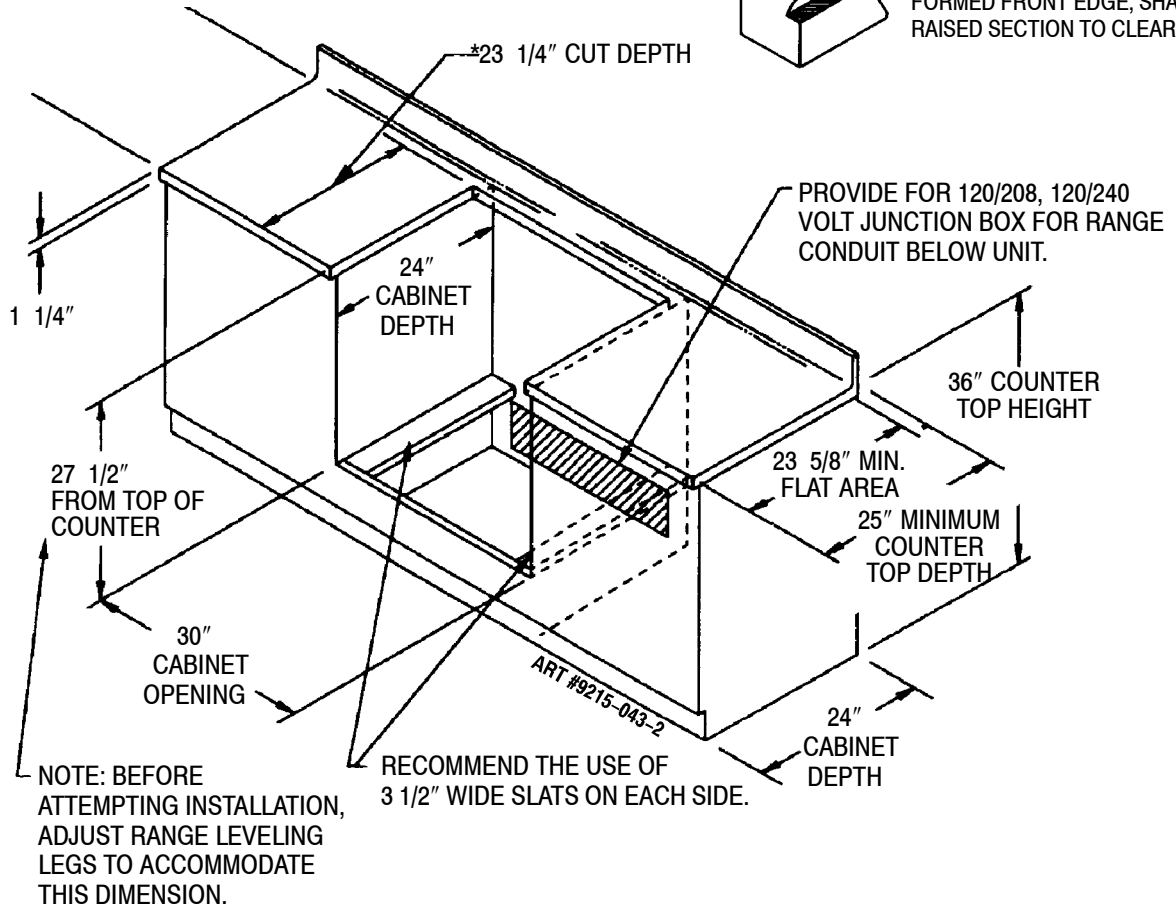


FIGURE 4

* When replacing an existing unit, a maximum of 23 1/2" is acceptable. If the cut depth exceeds 23 1/2", use filler kit (K70 Fill).

ANTI-TIP DEVICE INSTALLATION INSTRUCTIONS

WARNING: A risk of range tip-over exists if the appliance is not installed in accordance with the provided installation instructions. The proper use of this device minimizes the risk of TIP-OVER. In using this device the consumer must still observe the safety precautions as stated in the USE and CARE MANUAL and avoid using the oven door and/or lower drawer as a step stool.

Installation instructions are provided for wood and cement in either floor or wall. Any other type of construction may require special installation techniques as deemed necessary to provide adequate fastening of the ANTI-TIP bracket to the floor or wall. The bracket may be installed to engage the left or right rear leveling leg.

STEP 1 - Locating The Bracket (See Figure 5)

- Determine where either the right or left "EDGE" of the range will be located and mark the floor or wall.
- Place the BRACKET 15/16" from the marked "EDGE" toward center of opening and against the back wall, as shown in figure 5, with orientation hole against wall.
- Use the bracket as a template and mark the required holes, as shown in figure 5 for the type of construction you will be using.
- Free-standing and slide-in ranges may be secured to either floor or wall. **Drop-in range may only be secured to slat in cabinet.**

STEP 2 - Anti-Tip Bracket Installation

A. Wood Construction:

- Floor:** Locate the center of the two holes identified in figure 5 as "HOLES FOR FLOOR". Drill a 1/8" pilot hole in the center of each hole (a nail or awl may be used if a drill is not available). Secure the ANTI-TIP bracket to the floor with the two screws provided. Proceed to Step 3.
- Wall:** Locate the center of the two holes identified in figure 5 as "HOLES FOR WALL". Drill an angled 1/8" pilot hole in the center of each hole as shown in figure 6. (A nail or awl may be used if a drill is not available). Secure the ANTI-TIP bracket to the wall with the two screws provided as shown in figure 6. Proceed to STEP 3.

B. Cement or Concrete Construction:

- Suitable screws for concrete construction can be obtained at the hardware store. Drill the required size hole for the hardware obtained into the concrete at the center of the holes identified in figure 5 as "HOLES FOR FLOOR". Secure the ANTI-TIP bracket to the floor. Proceed to STEP 3.

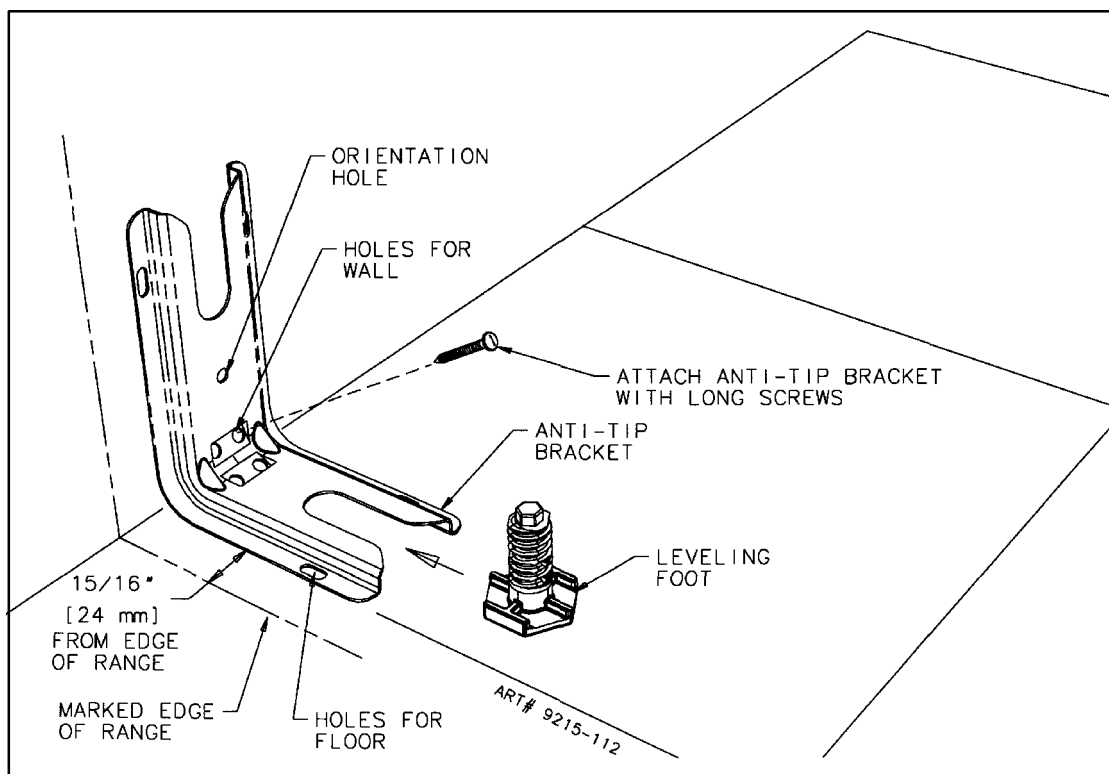


FIGURE 5

ANTI-TIP DEVICE INSTALLATION INSTRUCTIONS

STEP 3 - Range Installation

- A. Free-standing and slide-in ranges may be installed by one person. The drop-in requires two persons due to adjusting leveling legs and making electrical connection while range is suspended in cut-out.
- B. Align the range to its designated location and slide it back into position. Note: A minimum clearance of 1/4" is required between the range and the leveling foot that will engage the ANTI-TIP bracket, see figure 6.
- CAUTION:** Damage to the range may occur if range is moved or lifted by grasping the main top or backguard. (If equipped).
- C. All slide-in and drop-in ranges are equipped with a non lift-up top. All free-standing ranges with a glass top are non lift-up. Coil tops are lift-up.
- D. For SAFETY CONSIDERATIONS as well as optimum performance adjust the range so that it is level. This may be checked by placing a spirit level or a large pan of water on the cooktop or the oven rack. If an adjustment is required on free-standing, pull the range forward, tip the range and rotate the leveling feet as required. Slide-in and drop-in ranges require total removal from cabinet before an adjustment can be made.
- E. To check the range for proper installation of the anti-tip bracket: Use a flashlight and look underneath the bottom of the range to see that one of the rear leveling legs is engaged in the bracket slot.
- F. Proceed with the remainder of the installation instructions provided with the range.

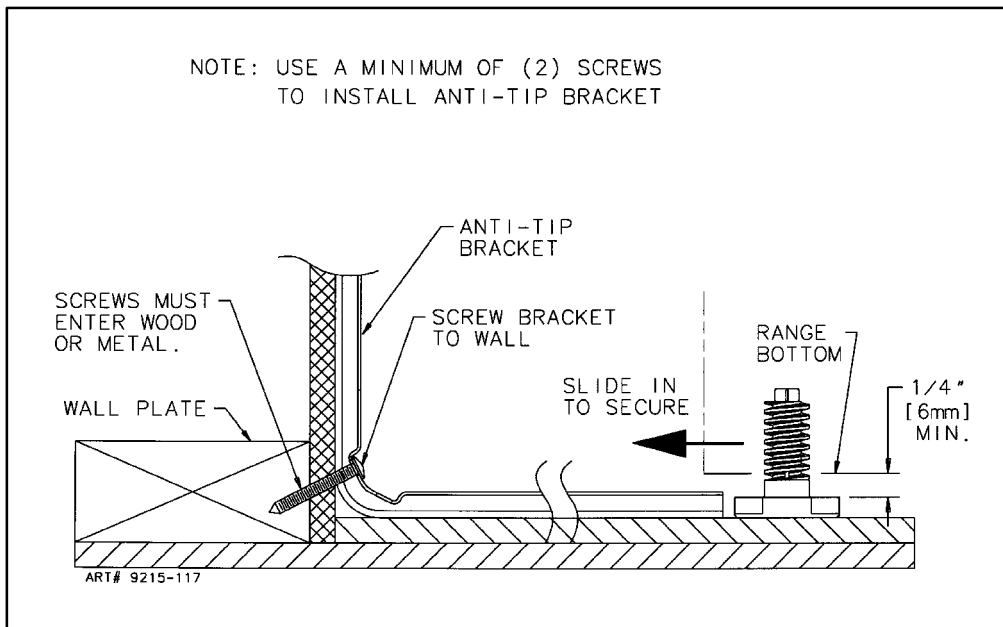


FIGURE 6

CONNECTING THE RANGE

ELECTRIC SUPPLY

The range must be installed in accordance with Local and National Electric Code (NEC) ANSI/NFPA No. 70-latest edition. See rating plate on front of range for total connected KW rating.

OUTSIDE WIRING

Your local utility company will tell you whether the present electric service to your home is adequate. It may be necessary to increase the size of the wiring to the house and service switch to take care of the electrical load demanded by the range. The kilowatt rating for the range is specified on the name plate on the range.

HOUSE WIRING

Most local Building Regulations and Codes require that all electrical wiring be done by licensed electricians. All wiring should conform to Local and National Electrical Codes. This range requires a single phase three wire 120/240 or a 120/208 volt, 60 Hz, AC circuit. Wiring codes require a separate circuit be run from the main entrance panel to the range and that it be equipped with separate disconnect switch and fuses, either in the main entrance panel or in a separate switch and fuse box. In some communities, a solid or flexible continuous armored conduit must be used from main entrance panel to the terminal box on the rear of the range. Others will permit the termination of the range circuit at a polarized three or four wire plug-in outlet placed at a convenient point near the back of the range. The range is then connected to this outlet through an approved range connector (pigtail) fastened securely to the terminal block with proper strain relief at the range and a three or four pronged plug at the opposite end.

RANGE CONNECTIONS

Some models are shipped direct from the factory with service cords (pigtails) attached. There are no range connections necessary on these models. Just plug into the range outlet. On models not provided with a service cord and models having a conduit, connection to the power supply is necessary. **REMEMBER - mobile homes and some LOCAL CODES DO NOT PERMIT GROUNDING THROUGH NEUTRAL.** Hence, 4-wire service **MUST** be provided for such installations. 3-wire service may be used when permitted by local code. Use **COPPER WIRE ONLY**. Make connections as explained below and with reference to the appropriate illustration (see figures 8 and 9). After installation, insure tightness of all electrical connections and replace all covers.

NOTE: Cord replacement - **ONLY** a power supply cord rated at 240 volts minimum, 40 amperes or 50 amperes power supply cord that is marked for use with nominal 1 3/8" (34.93 mm) diameter connection opening, with closed loop terminals and marked for use with ranges shall be used.

Remove terminal block access cover from range back. (See figure 7). Figure 7 shows the back of a free-standing range. Slide-in and drop-in ranges have a flat access cover on the left side of the main wire cover.

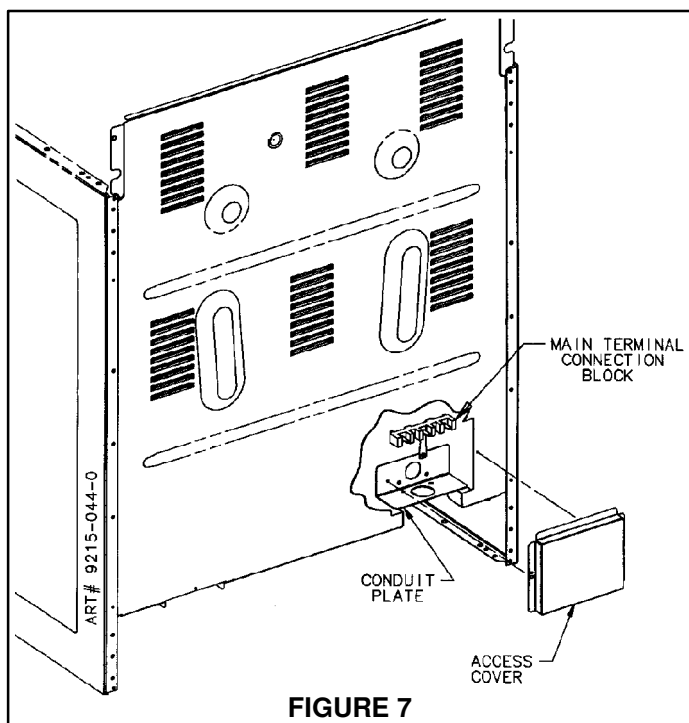


FIGURE 8
3-Wire Service Cord or Conduit Installation

1. Insure that the copper ground strap **IS CONNECTED** between the middle post of the main terminal connection block and the range chassis.
2. The middle wire of the service cord or ground lead of 3-wire conduit **MUST** connect to the neutral (middle) post of the main terminal block. The other two wires of the service cord or conduit connect to the outside posts of the main terminal connection block. Polarity is unimportant.
3. An appropriate strain relief for service cord or conduit **MUST** be attached to the conduit plate.

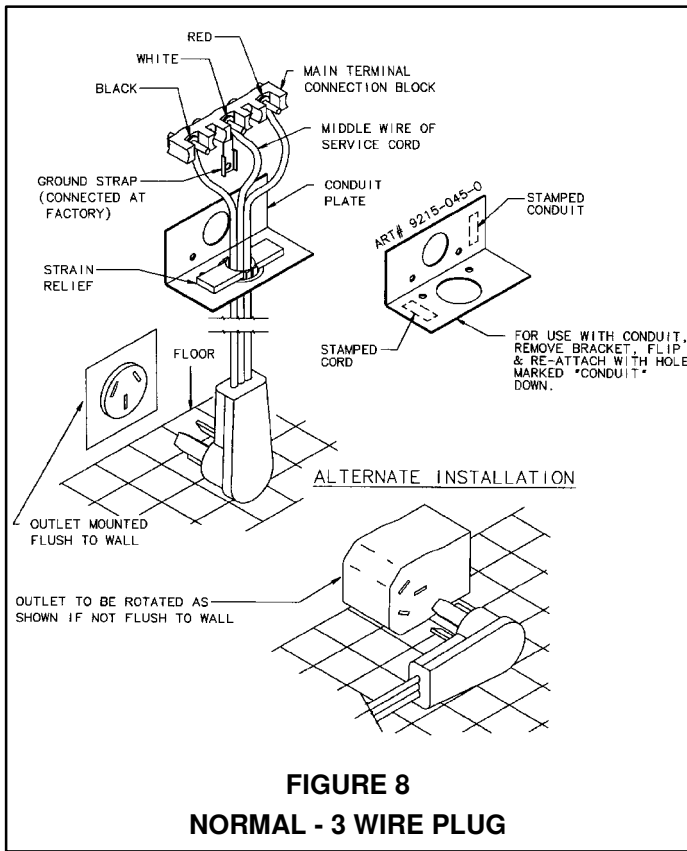


FIGURE 8
NORMAL - 3 WIRE PLUG

FIGURE 9
4-Wire Service Cord or Conduit Installation
(Mobile Homes Or As Required By Codes)

1. The copper ground strap connected between the neutral (middle) post of the main terminal block and the chassis **MUST** be cut off as shown in figure 9. Save the green ground screw to attach the ground from the 4 wire cord. Only a 4 wire cord or conduit should be used.
2. The ground wire from the service cord or conduit must connect to the range chassis using the green ground screw.
3. The white wire of the service cord or conduit must connect to the neutral (middle) post of the main terminal block. The other two wires of the service cord connect to the red and black posts of the main terminal block, respectively.
4. An appropriate strain relief for service cord or conduit **MUST** be attached to the conduit plate.

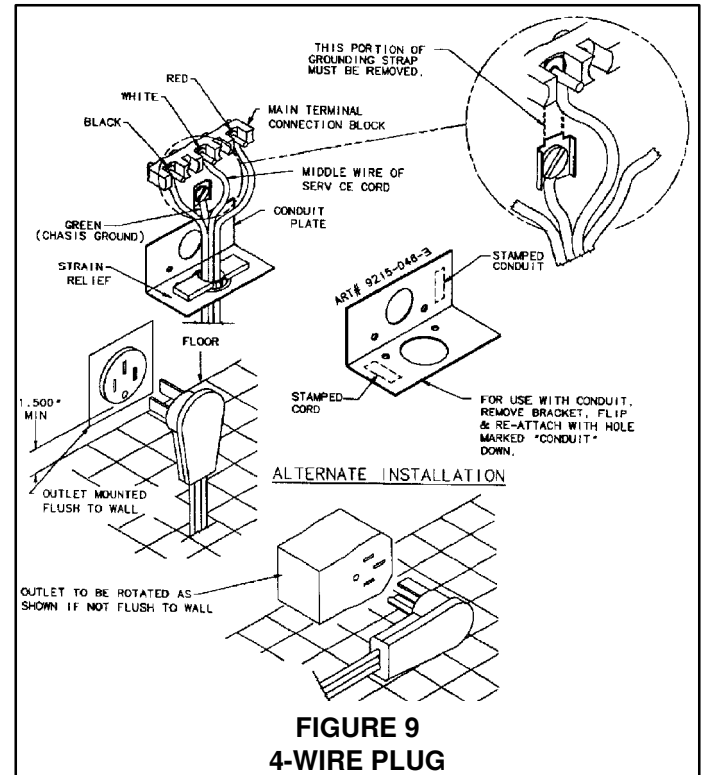


FIGURE 9
4-WIRE PLUG

Conversion From 3-Wire To 4-Wire Service
(Free-Standing or Slide-in Models Only With 3-Wire
Service Cord Attached).

Disconnect range from power. Remove the access cover on back of range and remove the 3-wire service cord from the main terminal block. Follow instructions as outlined in figure 9 to connect the 4-wire service cord.

NOTE: Cord replacement - **ONLY** a power supply cord rated at 240 volts minimum, 40 amperes or 50 amperes power supply cord that is marked for use with nominal 1 3/8" (34.93 mm) diameter connection opening, with closed loop terminals and marked for use with ranges shall be used.