

Operating Instructions

Tumble dryer

Imesa ES7PEE

Dear Imesa customer!

Welcome to the family of Imesa customers.

We hope that you will have many years of use from your new machine.

The machine has many special functions. To ensure that you get the most out of these functions, we recommend that you read the operating instructions before using the machine.

The operating instructions contain information on how to avoid damaging the environment.

Contents

Before using your machine for the first time	3	Care and cleaning	14
Do not tumble-dry	3	Cleaning the lint filter	14
Safety instructions	4	Cleaning the outside of the machine	14
Installation	4	Troubleshooting	15
Safety	4	The machine will not start	15
Interrupting a programme	4	Overheating cut-out	15
Packing material	4	Drying takes too long	15
Recycling	5	The washing does not dry, or is too dry	15
Child safety	6	Error messages	15
General	6	Technical information	16
Activating/deactivating Child-safe start	6	Technical data	16
Description of the tumble dryer	7	Standard tests	16
Front panel	8	Service	17
Advice and tips before you tumble-dry	9	Before contacting the service division	17
Have the clothes been spun?	9	Installation	18
Materials that can be tumble-dried	9	Positioning the tumble dryer	18
Materials that must not be tumble-dried	9	Adjusting the feet	19
Static electricity	9	Air evacuation	19
Tumble drying	10	Electrical installation	21
Sort your fabrics	10	Door hanging	22
Turn on the main power switch.	10	Follow these instructions:	23
Open the door, load the items and then close the door	10	Quick guide	24
Select the programme	10	Fabrics	24
Press the Start button	12	Turn on the main power switch	24
Drying programme finished	12	Load the garments	24
Once drying has finished	12	Select a programme and any options	24
Settings	13	Press the Start button	24
How to choose the settings:	13	Drying programme finished	24
Language	13	Once drying has finished	24
Child-safe	13		
Audible Volume	13		
Element 2	13		

Before using your machine for the first time

Do not tumble-dry

Certain materials are not suitable for tumble-drying. Always check and follow the instructions on each item's laundry label. You can find more information in the chapter "Advice and tips before you tumble-dry".

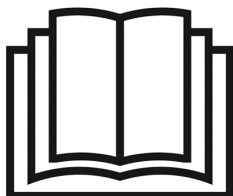
Note!

When starting the tumble dryer for the first time or after a long period without use, you may notice a slight thumping noise. This noise is completely normal and will disappear after a few loads.

See the Quick guide on the last page.

Safety instructions

Read the operating instructions and keep them in a safe place!



- Electrical installation, if required, should be carried out by a qualified electrician.
- The machine should only be used for tumble-drying as described in these instructions.
- Repairs and maintenance relating to safety or performance must be carried out by a qualified professional.
- Damaged mains cables must only be replaced by a qualified electrician.
- Sufficient ventilation is required to prevent smoke from open fires or fumes from equipment burning other fuels being sucked into the room when the tumble dryer is running.
- Do not dry dirty laundry in the tumble dryer.
- Items that are stained with e.g. cooking oil, acetone, alcohol, petrol, kerosene, stain remover, turpentine, wax and wax remover should be washed in hot water with extra detergent before they go in the tumbler dryer.
- Items such as foam rubber, latex, plastic, waterproof textiles, rubber-coated items and clothes and foam-rubber filled cushions must not be dried in the tumbler dryer.
- Fabric softener or similar products should be used as per the recommendations of the detergent manufacturer.
- The machine is not designed to be used by persons (even children) that are physically or mentally handicapped or lack experience and knowledge. Such persons must receive instruction in how to use the machine from the person responsible for their safety.
- Children must be watched to ensure they do not play with the machine.
- Do not let lint accumulate near the dryer

- Do not install the dryer behind doors with lock, sliding doors or next to the doors with hinges so that opening of the dryer door will never be hindered.

Caution!



Never stop a tumble dryer before the programme is completed unless you immediately remove all the laundry and spread it out so that the heat can disperse.

Installation

See the "Installation" chapter.

Safety

- The machine must not be used for drying items that have been dry-cleaned at home or fabrics that may contain residues of flammable liquids.
- The tumble dryer is protected by an overheating cut-out. This shuts off the machine if the temperature gets too high.

Caution!



When the tumble dryer is operating, the back of the tumble dryer will get very hot. Leave the machine to cool completely before touching the back.

Interrupting a programme

You can stop a drying programme by:

- Open the door. The drum will then then stop automatically.
- Press the main power switch.
- Press the Stop button for three seconds.

When you want to resume tumble-drying, simply close the door and press the Start button.

Packing material

Please sort waste materials in accordance with local guidelines.

Safety instructions

Recycling

This machine is manufactured and labelled for recycling. In order to prevent injuries, the machine must be made unusable once the decision has been taken to dispose of it. Contact your local authority for information about where and how your machine can be recycled correctly.

Child safety

General

Do not allow children to play with the tumble dryer.



The tumble dryer does not start automatically when the door is closed (if a child pulls the door shut from the inside, for example). In order to prevent children from starting a programme or changing one that has already started, you can activate the Child-safe Start option.

Activating/deactivating Child-safe start

Do as follows to open the settings menu:

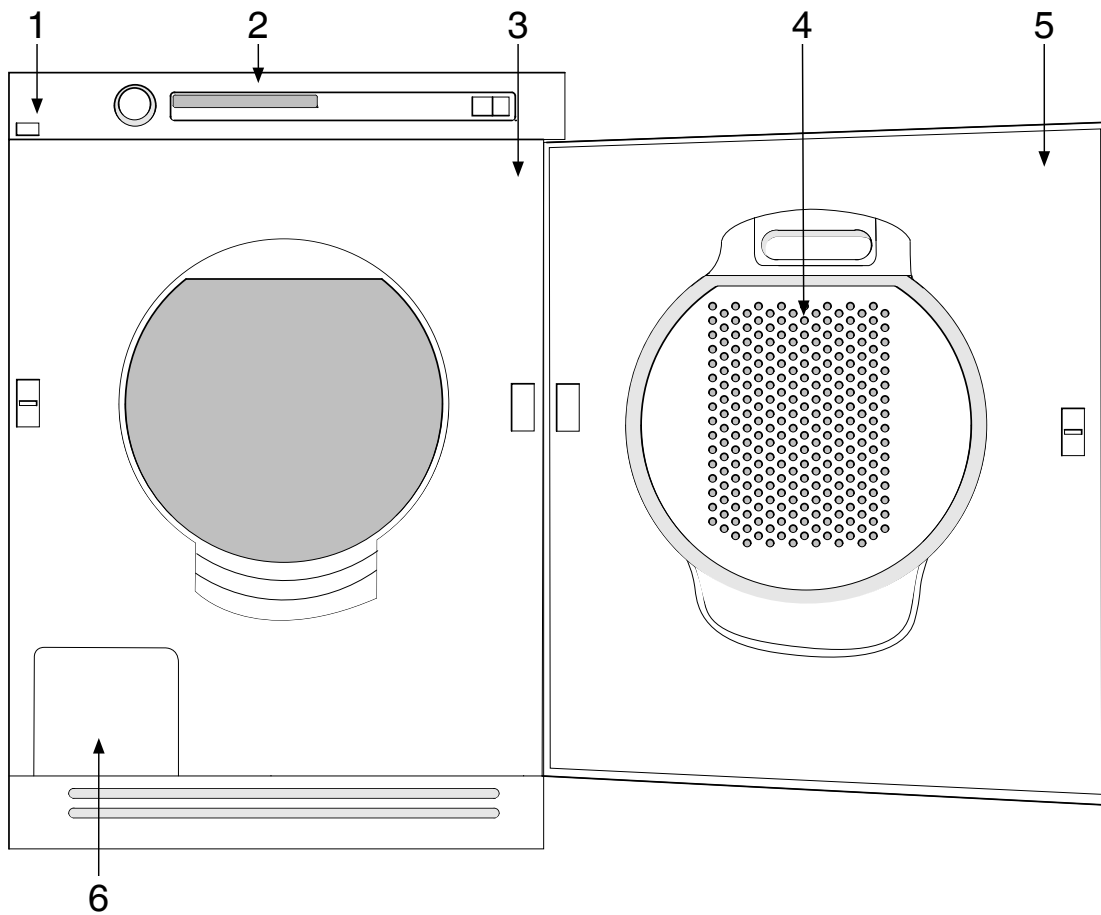
1. Turn off the machine using the main power switch.
2. Press the Stopbutton and switch on the machine with the main power switch. Then press the Stopbutton 5 times within 10 seconds.
3. Select the setting you want to change by turning the programme selector.
4. Press the Stopbutton once.
5. Change and save the setting as described below.
6. Press Start to return to the programme menu.

You can activate the Child-safe start option to prevent children from starting the machine.

1. Turn the programme selector and choose "Child-safe start on" or "Child-safe start off".
2. Press the Stopbutton once to save the setting.

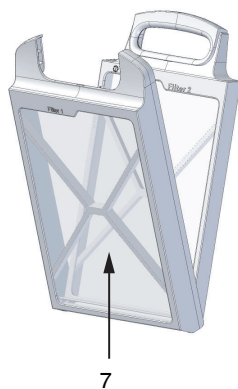
You can temporarily deactivate Child-safe start by pressing Start and Stop at the same time. Child-safe start will be deactivated for 3 minutes.

Description of the tumble dryer

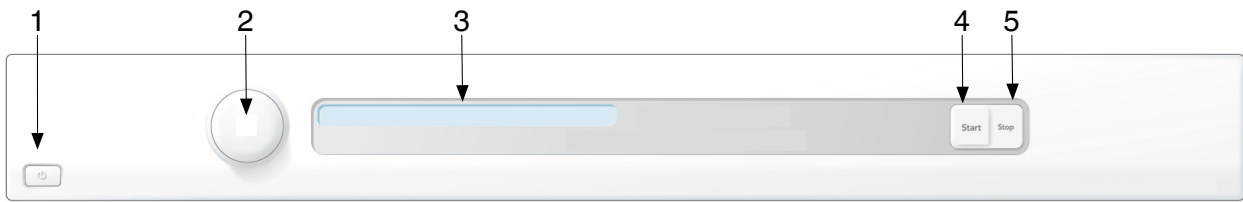


- 1. Main power switch
- 2. Panel
- 3. Type plate
- 4. Lint filter holder

- 5. Outer door
- 6. Fan (behind hatch)
- 7. Lint filter



Front panel



- 1 Main power switch
- 2 Programme selector
- 3 Display window

- 4 Start
- 5 Stop


Advice and tips before you tumble-dry

Here are some tips that may help you before you begin tumble-drying.

Have the clothes been spun?

Items to be tumble-dried should be spun at 1000 rpm or faster. Higher spin speeds save both energy and drying time.


Materials that can be tumble-dried

 This symbol means that the material is suitable for tumble-drying. Fabrics best suited to tumble-drying are cotton fabrics, terry cloth and synthetic fibres. Garments will be softer and lighter when tumbled than when hung out to dry.

Note!

The tumble dryer does not cause any significant wear to fabrics. The lint that is trapped in the lint filter consists of dust and fibre residues which form when the items are used.

Materials that must not be tumble-dried

 This symbol means that the material is not suitable for tumble-drying. Certain materials may melt or become a fire hazard if exposed to heat, and others can lose their shape or shrink.

And do not tumble-dry

- materials labelled "Do not dry near heat".
- garments that have been dry-cleaned at home.
- plastic foam.
- fibreglass material.
- wool must not be tumble-dried because of the risk of felting.

Static electricity

To reduce the risk of static electricity in the laundry after tumble drying you can:

- Use fabric softener when washing.
- Wait five minutes after the drying program ends before opening the door and removing the laundry from the dryer.

Note!

If the door is opened during the programme, the programme will be interrupted and will return to the start. The clothes may be too damp or too dry as a result.

Tumble drying

Below are step-by-step instructions to help you achieve the best possible tumble-drying results.

- 1 Sort your fabrics**
You will achieve the most uniform drying results if the items are made of the same type of material. Do up zips and buttons, fasten belts, sort the items and adjust the load and temperature.
- 2 Turn on the main power switch.**
- 3 Open the door, load the items and then close the door**
- 4 Select the programme**
Guidelines as to what specific programmes can be used for.

The Auto extra dry, Auto dry and Auto normal dry programmes have two temperature settings. Normal temperature but also low temperature for more delicate items.

Auto extra dry

This programme is for items that are particularly difficult to dry, e.g. jeans with very thick seams.

Auto dry

These programmes shut off the heat once the load is dry but before it is "over dry". The Auto dry programme shuts off the heat slightly later than Auto normal dry. Use trial and error to find out what works best. Use these programmes when you want items to be completely dry.

Auto normal dry

These programmes shut off the heat once the load is dry but before it is "over dry". The Auto dry programme shuts off the heat slightly later than Auto normal dry. Use trial and error to find out what works best. Use these programmes when you want items to be completely dry.

Auto extra dry (low temperature)

This programme is for items that are particularly difficult to dry, e.g. jeans with very thick seams.

Auto dry (low temperature)

These programmes shut off the heat once the load is dry but before it is "over dry". The Auto dry programme shuts off the heat slightly later than Auto normal dry. Use trial and error to find out what works best. Use these programmes when you want items to be completely dry.

Auto normal dry (low temperature)

These programmes shut off the heat once the load is dry but before it is "over dry". The Auto dry programme shuts off the heat slightly later than Auto normal dry. Use trial and error to find out what works best. Use these programmes when you want items to be completely dry.

Auto iron dry

This programme shuts off the heat once the load is just damp enough for ironing or pressing.

Tumble drying




Programme chart

Here we present a few examples of the energy and time consumption of a few different programme settings. Consumption can vary according to room temperature, humidity, load, variations in the power supply and selected options

For the consumption values given below, the requirements are as follows:

Temperature of intake air:	23°C
Moisture content of intake air:	55 %
Drying temperature:	Normal or low
Heater output:	3000W

Programme chart

Program	Material	Temperature	Max. load (kg)	Energy consumption (approx. kWh)		Programme time (approx. hrs and min.)	
				800 rpm	1600 rpm	800 rpm	1600 rpm
Auto extra dry	Cotton, linen	Normal	7.0	4,4	4,1	2:01	1:55
Auto dry	Cotton, linen	Normal	7.0	4,1	3,8	1:51	1:45
Auto normal dry	Cotton, linen ¹⁾	Normal	7.0	3,5	3,4	1:31	1:30
Auto extra dry  (low temperature)		Low		2,3		1:53	
Auto dry  (low temperature)	Crease-resistant, polyester/cotton	Low	3.5	2,0		1:28	
Auto normal dry  (low temperature)	Crease-resistant, polyester/cotton	Low	3.5	1,8		1:23	
Auto iron dry	Cotton, linen	Normal	7.0	3,1	2,8	1:48	1:45

¹⁾ This programme is EN 61121 compliant.
Energy and time consumption in compliance with EN 61121.

Tumble drying

5 Press the Start button Remaining drying time

An estimate of the remaining drying time will be shown on the display a few minutes after the drying programme starts. For example, "1:35" means that it will take approximately 1 hour and 35 minutes for the load to dry.

The actual remaining time may be longer than the estimated time shown on the display. The remaining time is then shown as "0:15" until the load is sufficiently dry.

Stopping or changing a programme

Press and hold button the Stop button for three seconds.

Note!

The programme will not be affected if you change the programme selector after the programme has started.

Loading or removing washing

You can stop the tumble dryer after starting a programme by opening the door. Load more washing or take out the items you want, close the door and press the Start button. A new estimate of the remaining programme time will be displayed after a few minutes.

6 Drying programme finished

The text "End" appears on the display when the programme is finished.

Backlighting

Two minutes after the drying programme finishes the backlighting on the display and option buttons enters energy saving mode.

Important!

- Clean the lint filter after each load.

Caution!



If the lint filter becomes clogged, the machine's automatic overheating cut-out may be triggered. In order to be able to restart the machine, you must clean the filter and allow the machine to cool down for around 30 minutes.

7 Once drying has finished

Turn off the main power switch. Remove the clothes and close the door to prevent small children from climbing into the machine.

Settings

How to choose the settings:

- Language
- Child-safe
- Audible Volume
- Element 2

Do as follows to open the settings menu:

1. Turn off the machine using the main power switch.
2. Press the Stopbutton and switch on the machine with the main power switch. Then press the Stopbutton 5 times within 10 seconds.
3. Select the setting you want to change by turning the programme selector.
4. Press the Stopbutton once.
5. Change and save the setting as described below.
6. Press Start to return to the programme menu.

Language

1. Turn the programme selector to choose from: US English, English, svenska, dansk, norsk, Suomea, Français, Deutsch, Italiano, Español, Русский, Nederlands.
2. Press the Stopbutton once to save the setting.

Child-safe

You can activate the Child-safe start option to prevent children from starting the machine.

1. Turn the programme selector and choose "Child-safe start on" or "Child-safe start off".
2. Press the Stopbutton once to save the setting.

You can temporarily deactivate Child-safe start by pressing Start and Stop at the same time. Child-safe start will be deactivated for 3 minutes.

Audible Volume

1. Turn the programme selector and choose "Audible Volume on" or "Audible Volume off" to set whether the tumble dryer should audibly indicate that the programme is finished or that an error has occurred.
2. Press the Stopbutton once to save the setting.

Element 2

1. Turn the programme selector and choose "Element 2 On" (3000W/16A) or "Element 2 Off" (2000W/10A) to increase or decrease the heat output.
2. Press the Stopbutton once to save the setting.

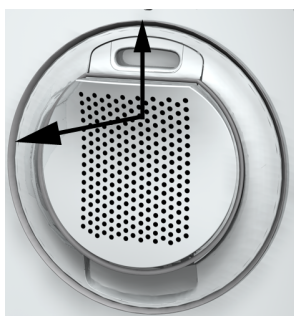
Care and cleaning

Cleaning the lint filter

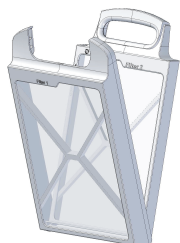
If the display reads "Insert filter" the tumble dryer will not start. Insert the lint filter in its holder.

The lint filter must be cleaned after each load. If you have very hard water, this can cause limescale deposits in the lint filter. Check for any limescale deposits when cleaning the lint filter and, if necessary, wash the filter by hand.

1. Grasp the filter handle and pull it towards you.
2. Pull the filter out of its holder.



3. Open the filter and remove the lint from all sides of it by hand. Use a soft, dry cloth to remove any deposits.



4. Replace the filter in its holder.

Note!

If you have hard water, the filter should be washed with water to get rid of any limescale deposits. Use a sponge and a little dishwashing detergent if necessary. Dry the filter carefully with a towel. If you cannot remove the limescale, you can buy a new filter from the retailer where you bought the tumble dryer.

Cleaning the outside of the machine

Clean the outside of the machine and the programme panel with a mild cleaner. Do not use solvents, as these can damage the machine. Do not hose down or spray the machine with water.

Note!

Do not allow dust to accumulate around the machine. Keep the area around the tumble dryer clean and cool; dust, heat and moisture prolong drying times.

Troubleshooting

The machine will not start

Check

- that the door is properly closed.
- that the main power switch is on.
- that the plug is connected.
- that the fuses (circuit breakers) in your house are intact. Swap two circuit breakers over to make sure. You cannot always tell from the outside if a circuit breaker is broken.
- that the overheating cut-out has not been triggered (see below).
- that the lint filter is in place and is clean.

Overheating cut-out

The overheating cut-out shuts off the tumble dryer if the temperature is too high, e.g. because dust is clogging the lint filter.

- Clean the lint filter.
- The overheating cut-out will reset automatically once the machine has cooled down.

Drying takes too long

- Check that the lint filter is not clogged (see the "Care and cleaning" chapter).

The washing does not dry, or is too dry

- The door has been opened while the programme is running, which disrupts the moisture monitoring function.

Error messages

- If "Max program time" appears on the display, the maximum programme time has been reached. Read "Drying takes too long" in the "Troubleshooting" chapter to find out what to do.
- If "Clean lint filter" appears on the display, clean the lint filter.
- Press the Stop button to close error messages.
- The tumble dryer cannot start if the lint filter is not in place. The error message "Insert filter" appears on the display.

Technical information

Technical data

Height:	850mm
Width:	595mm
Depth:	585mm
Weight:	47kg
Cylinder volume:	111l
Max. drying capacity:	7kg
Speed:	52 rpm
Rated power:	See type plate.
Drum material:	Stainless steel
Outer casing material:	Powder-coated and hot-galvanized sheet steel or stainless steel.
Setup	Stacking or freestanding
Drain:	1.7m polypropylene hose 3/4 BSP connection

Standard tests

Europe:	
Drying performance:	EN 611 21 (95/13/EEC). Auto normal dry, 7kg cotton
Energy declaration:	EN 611 21 (95/13/EEC). Auto normal dry, 7kg cotton

Test method for noise measurement: IEC 60 704-2-6.

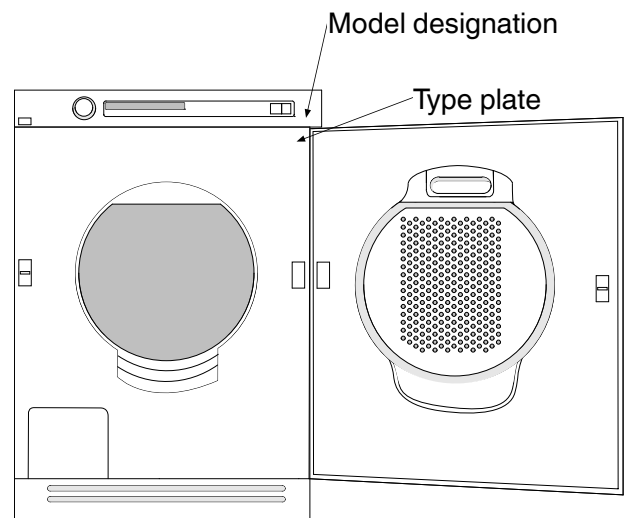
Service

Before contacting the service division

Before contacting the service division, you should find out whether you can resolve the fault yourself. See the "Troubleshooting" and "Care and cleaning" chapters.

If you still need to contact the service division, make sure that you know the model designation, type designation and serial number.

The model designation can be found in the stamped hole on the first page of the operating instructions and on the machine's panel. The type designation and serial number can be found on the type plate.



Installation

Positioning the tumble dryer

The tumble dryer can be free-standing or in a stack. Remember that the tumble dryer produces heat and should therefore not be located in a room that is too small. If the room is very small, drying will take longer due to the limited quantity of air.

Caution!



- Any electrical installation must be carried out by qualified professionals.
- The machine must not be installed behind a lockable door, a sliding door or a door with hinges on the opposite side to those of the tumble dryer.
- The tumble dryer's plinth ventilation must not be blocked by a rug or the like.

Tip!

To improve ventilation, leave the door to the room where the tumble dryer is located open.

Freestanding

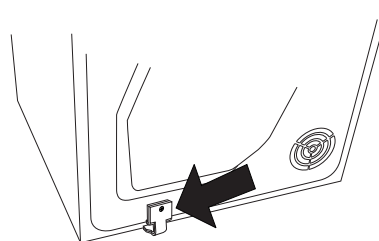
The tumble dryer can be positioned beside the washing machine. An air gap of at least 5 mm must be left between the washing machine and the tumble dryer.

Stacking

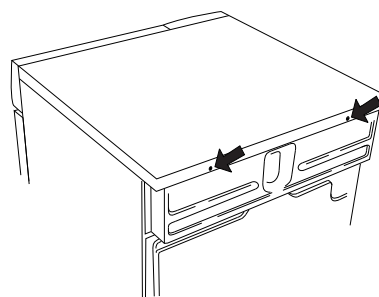
The tumble dryer can be placed on top of a limesa washing machine. In this case you use the stacking attachments (foot cups and anti-tilt devices) that come with the machine. You will find two foot cups in a bag in the drum and two anti-tilt devices are attached to the bottom left corner at the back of the machine. Extending plates can be ordered from your local retailer.

How to assemble the stack:

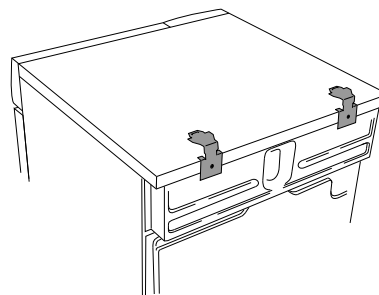
1. Undo the anti-tilt device.



2. Undo the two screws indicated on the back of the washing machine.

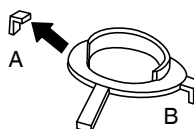


3. Secure the anti-tilt device using the screws as shown in the picture.



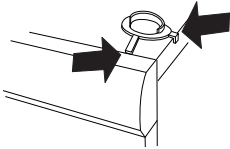
4. Attach the plastic cups for fixing the tumble dryer's front feet to the washing machine's top cover. This is essential, as only when the tumble dryer's feet are resting in the plastic cups can you be sure that the dryer is correctly positioned on the washing machine.

Break off tag A on the cup fitted on the right-hand side and tag B on the cup fitted on the left-hand side. Then remove the paper from the self-adhesive surface under the plastic cups.

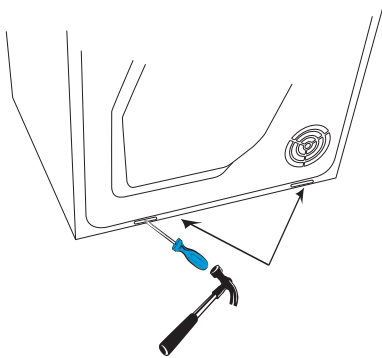


Installation

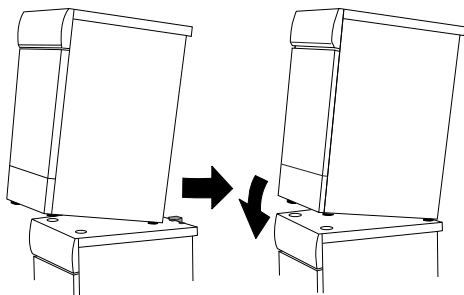
5. Fit the plastic cups so that the “tags” marked with arrows are against the front edge or side edge of the cover and press them firmly onto the cover. Then break off the remaining tags.



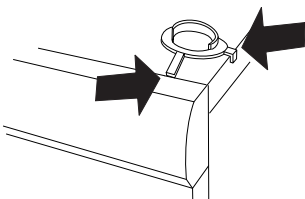
6. Push out the knock-out hole on the back of the dryer (you must not remove it, just open it) using a hammer and screwdriver.



7. Push the tumble dryer in under the metal brackets. At the same time keep the front edge raised by 10mm to 20mm.

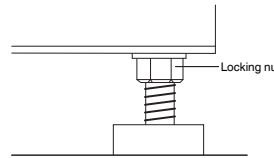


8. Lower the tumble dryer's front feet into the plastic cups and adjust the dryer to ensure that it is balanced.



Adjusting the feet

Screw the feet in or out so that the tumble dryer is steady and balanced on the floor or on the washing machine. Then tighten the lock nuts.

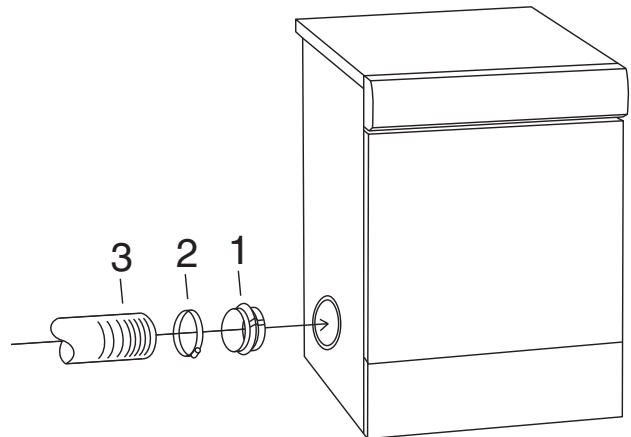


Air evacuation

Waste air from the tumble dryer must be taken to an evacuation duct or to an outlet in the wall using the vent hose supplied.

Connection to the tumble dryer

The tumble dryer has three options for venting air: at the back, on the right side and on the left side. One hole is open when the tumble dryer is supplied. The other two have covers. The tumble dryer comes with a connector (1), a plastic band (2) and a vent hose (3).



Fit the air evacuation system as follows:

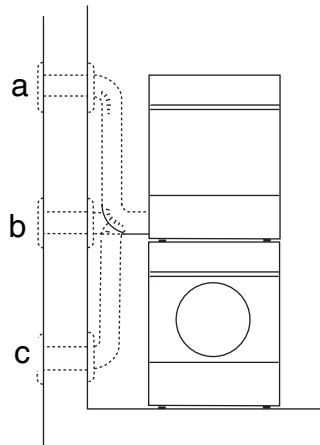
1. Slip the vent hose onto the connector and secure it using the plastic band.
2. Remove the plastic cover if you want to fit the vent hose to one of the holes other than the one already open.
3. Insert the connector with the vent hose into the opening.
4. Place the cover over the open hole.

Installation

Connection to the evacuation duct

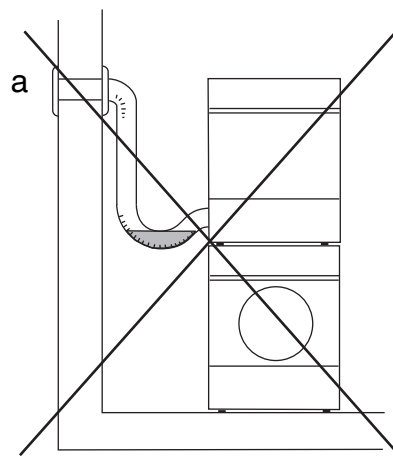
The vent hose must take the shortest and straightest route possible from the tumble dryer to the evacuation duct. Trim or cut the vent hose if it is too long. If necessary, the vent hose can be extended to a maximum of 8 metres (inner diameter 102 mm). If a longer hose is needed, a larger inner diameter is required in order to maintain the tumble dryer's fan capacity. Any bends must be as gradual as possible. If 90° bends are necessary, there must be no more than four. More bends will reduce the tumble dryer's fan capacity.

Examples of installations



Installation in a hot environment

If you install the tumble dryer in a small room with a high atmospheric humidity, where the temperature may exceed 25°C, there is a risk of condensation accumulating in a kink and obstructing the air flow, resulting in poor drying results. To avoid this happening, the hose must not be fitted so that it goes up (a), but instead so that it is horizontal (b) or goes down (c) from the drier.



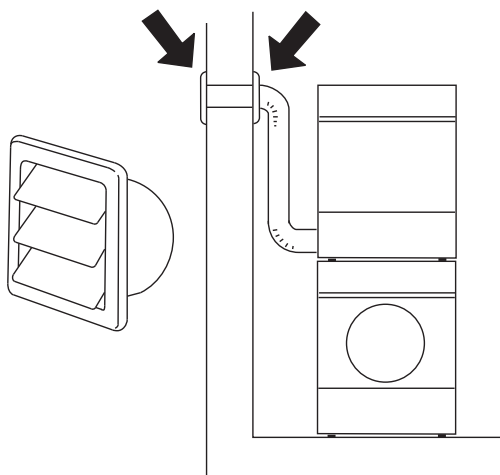
Caution!

Air from the tumble dryer must not be fed through ducts used for equipment that burns gas or other fuels.

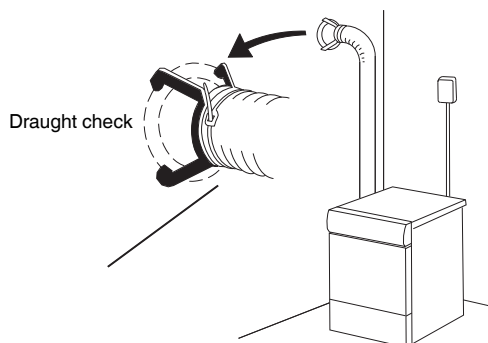
Installation

Accessories

If the vent hose runs to an outlet in the wall, you can prevent the inflow of cold air by fitting a ventilation grill. This grill can be installed either outside or inside.



If there is only one evacuation duct from the room, a “draught check” must be fitted.



These accessories can be purchased from your retailer.

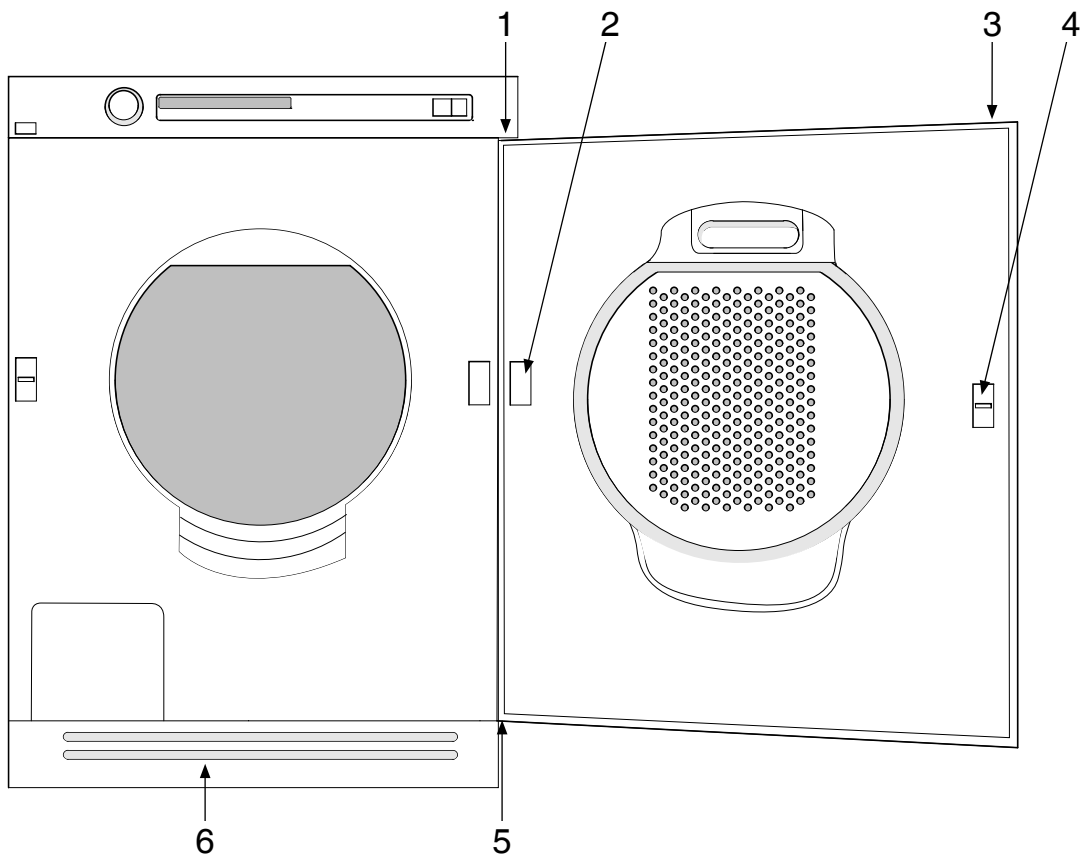
Electrical installation

The electrical connection must be made using a cable for permanent installation, with a multipolar circuit breaker, by a qualified professional.

Connection on delivery

The machine is supplied as 1-Phase, 230V, 50Hz, heat output 3000W and has a 16A plug. Any residual current devices must be type A.

Door hanging



1. Hinge pins (top and bottom)
2. Cover washer
3. Plastic plugs (on the upper and lower edges)
4. Locking hook
5. Hinges (left + right side)
6. Plinth

Door hanging

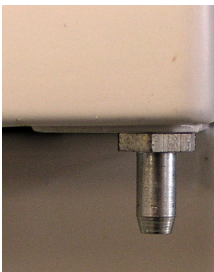
You can choose whether the door is hung on the right or the left.

Follow these instructions:

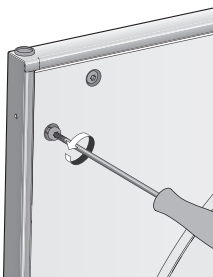
1. Remove the plinth.
2. Remove the hinge, two screws.



3. Lift the door up and remove it. Support the door at the same time.
4. Remove both door pins (top and bottom). Fit them on the other side of the machine. Refit the hinge.

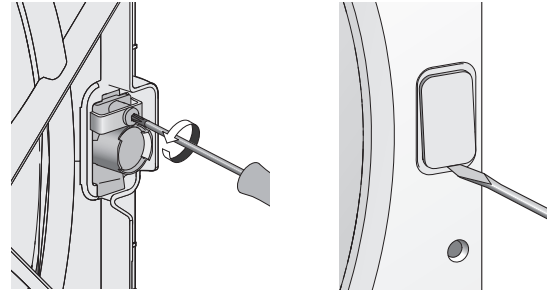


5. Loosen the screws (13 in total) on the inside of the door.



6. Loosen the inner part of the door (pull down and lift out).
7. Switch the catch (magnetic lock) and the cover plate. First loosen the screw holding the catch

(magnetic lock) in place. Then use a flat-bladed screwdriver to remove the cover plate. Refit the catch (magnetic lock) and the cover plate on the other side.



8. Reattach the inner part of the door with the screws (13 in total).
9. Move the plastic plugs on the upper and lower edges of the door. Use a flat-bladed screwdriver to remove the plugs.
10. Loosen the two screws holding the handle in place on the door. Push out the two plastic plugs inside the screw holes on the other side of the door. Use the two screws to attach the handle to the other side of the door and press the plastic plugs into the holes where the handle was previously fitted.
11. Refit the door by loosening the hinge screws slightly, affixing the door and closing it. Retighten the hinges. Replace the plinth.

Quick guide

1 Fabrics

- Dry fabrics of the same type together to ensure that they dry as evenly as possible.

2 Turn on the main power switch

3 Load the garments

- Close the door.

4 Select a programme and any options

- Turn the programme selector to the required programme.
- Select any options and settings.

5 Press the Start button

6 Drying programme finished

- "END" appears on the display when the programme is finished.
- Clean the lint filter after each load.

7 Once drying has finished

- Turn off the mains power switch and close the door.