

# Operating Instructions

## Washing Machine

### Imesa LM7PEDV

*Dear Imesa customer!*

*Welcome to the family of Imesa customers.*

*We hope that you will have many years of use from your new machine.*

*The machine has many features. To make the most of its functions, we recommend that you read the operating instructions before using the machine. The operating instructions include information on how you can help protect the environment.*

# Contents

<b>Before using your machine for the first time</b>	4	<b>Washing</b>	10
Transport protection	4	Sort your laundry.	10
Packing material	4	Turn on the main power switch	10
Washer door	4	Open the washer door and load the washing	10
Language selection	4	Add detergent and fabric softener, as required	10
Checking water hardness	4	Select the programme	11
<b>Safety instructions</b>	5	Close the washer door and press the Start/Stop button	13
General	5	Once the program has finished	13
Installation	5	<b>Settings</b>	14
Overflow guard function	5	You can change the following settings:	14
Transport/Winter storage	5	Door opening	14
Recycling	5	Language	14
<b>Child safety</b>	6	Temperature	14
Keep an eye on children!	6	Water intake	14
Child safety catch	6	Child-safe	14
<b>Description of the washing machine</b>	7	<b>Care and cleaning</b>	15
<b>Detergent compartment</b>	7	Cleaning the detergent compartment	15
<b>Advice and tips before washing</b>	8	Cleaning the outside of the machine	15
Sorting your laundry	8	Cleaning the inside of the machine to avoid unpleasant smells	15
Clothing	8	Rinse holes under the agitator	16
Laundry labels	8	If you have hard water	16
Coloured cotton	8	<b>Troubleshooting</b>	17
Unbleached linen	8	The washer door will not open	17
Wool	8	The machine will not start	17
Rayon fibres and synthetic fibres	8	After power failure	17
Detergents	8	Wet washing still in the machine	17
		Error messages	18
		<b>Technical information</b>	19
		Information for test institute	19
		Technical data	19

# Contents

<b>Transport protection</b>	20
<b>Installation</b>	21
Positioning the washing machine	21
Adjusting the feet	21
Connection to water supply	21
Drainage connection	21
Electrical installation	22
<b>Service</b>	23
Before contacting the service division	23
<b>Quick guide</b>	24

# Before using your machine for the first time

## Transport protection

Remove any transport protection devices before installing the machine. See the "Transport protection" chapter.

## Packing material

Please sort waste materials in accordance with local guidelines.

## Washer door

- The washer door cannot be opened until the machine is connected to the electricity supply.
- To open the door manually, see "The washer door will not open" in the "Troubleshooting" chapter.
- The machine cannot be started when the door is open.
- To open the washer door while a programme is running, see "Close the door and press the Start/Stop button" in the "Washing" chapter.

## Language selection

You will be prompted to select the display language when you have connected your machine and start it for the first time. Do as follows:

1. Turn the programme selector to choose from:  
US English, AU English, Svenska, Dansk, Norsk, Suomi, Français, Deutsch, Italiano, Español, Русский, Nederlands, EU English.
2. Press Start/Stop once to save the setting.

## Checking water hardness

The quantity of detergent needed depends, amongst other things, on how hard the water is. See the detergent pack for details. Phone your local water company to check the water hardness in your area.

### **NOTE!**

Each machine is tested before leaving the factory. A small amount of water may remain in the drain pump, though this does not affect quality or damage the machine.

**See Quick guide on the last page**

# Safety instructions



## General

- Read the operating instructions and keep them in a safe place.
- Installation of water and electricity, if required, should be carried out by a qualified professional.
- The machine should only be used for washing items as described in these instructions. It is not intended for dry cleaning.
- Use only detergent intended for machine washing!
- Remove any transport protection devices before using the machine. See the "Transport protection" chapter.
- Repairs and maintenance relating to safety or performance must be carried out by a qualified professional.
- Damaged mains cables must only be replaced by a qualified electrician.
- The machine is not designed to be used by persons (even children) that are physically or mentally handicapped or lack experience and knowledge. Such persons must receive instruction in how to use the machine from the person responsible for their safety.
- Children must be watched to ensure they do not play with the machine.
- In the enclosed plastic bag you will find a tool for opening the washer door in emergencies.

## Installation

See the "Installation" chapter.

## Overflow guard function

If the machine's water level rises above the normal level, the overflow guard function begins to pump water out and shuts off the water intake. If the water level has not dropped within 60 seconds, the program is terminated.

## Transport/Winter storage

If the machine is to be transported or stored in unheated premises where the temperature can fall below freezing, do as follows:

- Shut off the water to the washing machine, loosen the supply hose to the intake valve and let the water run out from the valve and hose.

## Recycling

This machine is manufactured and labelled for recycling. In order to prevent injuries, the machine must be made unusable once the decision has been taken to dispose of it. Contact your local authority for information about where and how your machine can be recycled correctly.

# Child safety

## Keep an eye on children!

- Always close the washer door and start the programme immediately after you have added detergent.
- Do not allow small children to use or play with the washing machine.
- Store detergent and fabric softener out of the reach of children.

## Child safety catch

Do as follows to open the settings menu:

1. Turn off the machine using the main power switch.
2. Press and hold the Door opening button and then press the main power switch. Then press the Door opening button 5 times within 10 seconds.
3. Select the setting you want to change by turning the programme selector.
4. Press the Door opening button once.
5. Change and save the setting as described below.
6. Press Start/Stop to return to the programme menu.

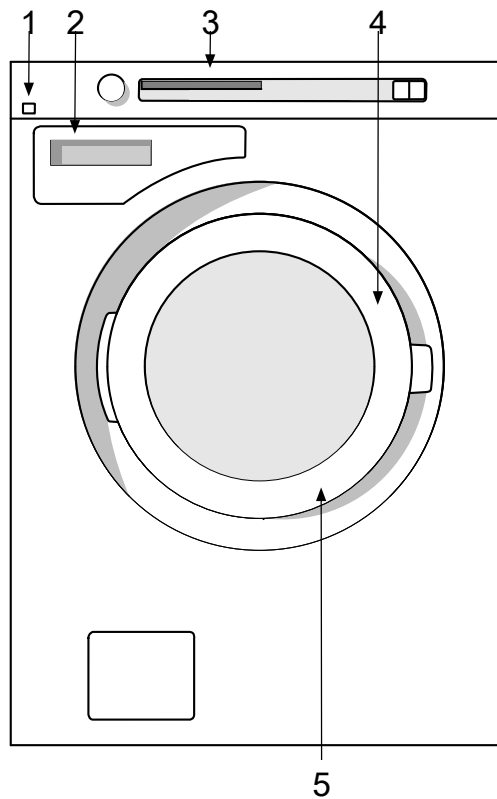
You can activate the Child-safe start option to prevent children from starting the machine.

1. Turn the programme selector and select "Child-safe On" or "Child-safe Off".
2. Press the Door opening button once to save the setting.

You can temporarily deactivate Child-safe start by pressing Start/Stop and the Door open button at the same time. Child-safe start will be deactivated for 3 minutes.

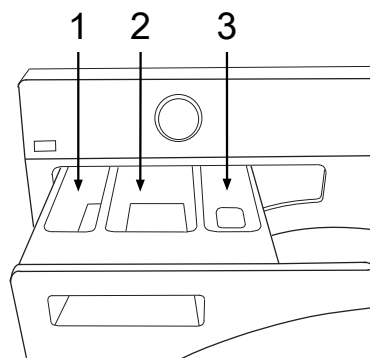
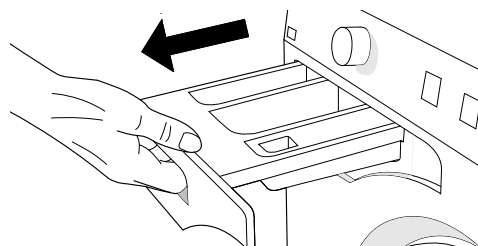
# Description of the washing machine

1. Main power switch
2. Detergent compartment
3. Programme panel
4. Serial number plate (on inside of washer door)
5. Washer door



# Detergent compartment

1. Pre-wash
2. Main wash
3. Fabric softener



# Advice and tips before washing

Here are some tips that may help you before washing.

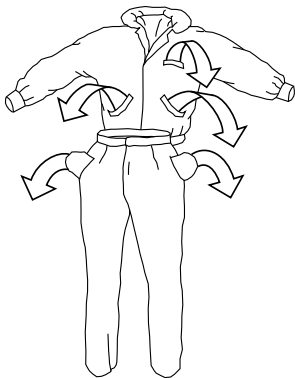
## Sorting your laundry

Sort items according to:

- how soiled they are
- colour
- material

## Clothing

1. Do up zips and close Velcro straps so that they don't harm fabrics.
2. New coloured items may contain excess dye and should therefore be washed separately the first few times.
3. Turn delicate items inside out. This reduces the risk of burling and fading.
4. Empty pockets and wash them inside out if possible.



## Laundry labels

Look at the item's laundry label. The table below shows suitable wash programmes for different materials and wash loads. Using modern washing machines and detergents, for example compact detergents, you can usually wash at lower temperatures. It is a good idea to use trial and error to find out what produces the best results.

## Coloured cotton

Coloured cotton items with the washing instruction 60 °C should be washed at 60 °C for the first time in order to remove any excess dye. If you do not do so, there is a risk that the colour will run. Use detergent without bleach in order to preserve the colour of the fabric.

## Unbleached linen

Unbleached linen fabrics should be washed at 60 °C, using detergent containing no bleach or optical whiteners. Heavily-soiled linen can occasionally be washed at higher temperatures, but not too often because the heat can destroy the linen's shine and strength.

## Wool

These fabrics are labelled either machine wash or hand wash. The Wool/hand wash, 30 °C programme is at least as gentle as washing by hand.

## Rayon fibres and synthetic fibres

Materials made of rayon fibres, such as viscose, and some synthetic fibres are very delicate and require much space so as not to crease. Only half fill the drum when washing and choose a spin speed of 800 rpm or lower.

### NOTE!

Viscose and acetates are fragile when wet.

## Detergents

Eco-labelled detergents are less harmful to the environment.

Detergent overdosing does not give better washing results; it merely causes a greater impact on the environment.

Try to use less detergent, and increase only if you are not satisfied with the results.



# Advice and tips before washing

## NOTE!

Due to environmental concerns, we discourage the use of strong chemicals.

When using agents for bleaching or stain removal, there is a risk of rust (corrosion) and discolouration of the machine.

# Washing

## 1 Sort your laundry.

See the "Advice and tips before washing" chapter.

Place underwired bras in a laundry net.

Empty pockets. Coins, nails and the like can cause damage to the machine and fabrics. See the "Advice and Tips" section before washing.

## 2 Turn on the main power switch

## 3 Open the washer door and load the washing

If the washer door is closed, press the Door opening button (key symbol). The door opens once all water has drained from the machine. Load the washing. The wash programme chart shows how much washing can be washed with each programme.

## 4 Add detergent and fabric softener, as required

The detergent packaging will have recommendations for how much detergent you should use. The machine holds 8 kg of washing. If you only have a small amount of laundry in the machine, you can reduce the amount of detergent used.

Follow the manufacturers' recommendations as regards which type of detergent is suitable for which temperature.

### Powder detergent

Pour the powder into the compartment for the main wash, and pre-wash as well if desired.

### Liquid detergent

When using liquid detergent, follow the detergent manufacturer's recommendations. We recommend always using a wash ball with very thick liquid detergent.

### Wash ball or net


If you use a wash ball or net, place it directly in the drum and select a programme without pre-wash.

#### NOTE!

Detergent overdosing does not give better washing results; it merely causes a greater impact on the environment.

Try using less detergent, and increase only if you are not satisfied with the results.

### Fabric softener

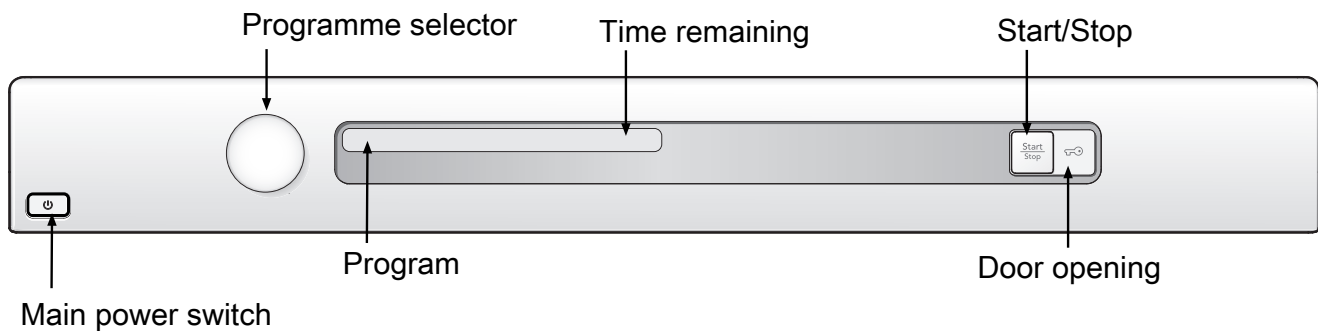
Pour the fabric softener into the compartment with the  symbol. Follow the recommendations on the fabric softener packaging.

#### NOTE!

Do not fill above the compartment's maximum fill level. Otherwise fabric softener will run in too early, which impairs the washing effect.

# Washing

## 5 Select the programme



The display shows the programme name, the water temperature and the spin speed.

The washing machine has a number of preselected programmes when delivered from the factory. The preselected programmes can be replaced. Contact the service division for information on which programmes are available and how to alter the preselected programmes.

### **White, 90 °C**

Programme for normally to heavily soiled laundry. Follow the washing instructions for each garment. 90 °C is a good temperature for white and light-coloured cotton, such as bed linen.

### **White/Colour, 60 °C**

Programme for normally soiled laundry, whites and colours. Follow the washing instructions for each garment. 60 °C is a good temperature for garments worn next to the skin.

### **White/Colour, 40 °C**

Programme for normally soiled laundry, whites and colours. Follow the washing instructions for each garment.

### **Super quick wash, 60 °C**

Fast programme for laundry that just needs freshening up. Follow the washing instructions for each garment. Garments worn next to the skin ought to be washed at 60 °C.

### **Super quick wash, 40 °C**

Fast programme for laundry that just needs freshening up. Follow the washing instructions for each garment.

### **Synthetics, 40 °C**

Programme for synthetics, delicate blended materials and permanent press cotton. Suitable for shirts and blouses. Follow the washing instructions for each garment. Many synthetics will come clean at 40 °C.

### **Wool/hand wash, 30 °C**

A gentle laundry programme for wool, silk and garments that should be washed by hand. This programme has a short spin.

### **Rinse**

This programme performs one cold rinse cycle + spin. Suitable for laundry that just needs to be dampened.

# Washing

## Programme chart

Program	Pre-wash	Temp. °C	Number of Rinses	Spin Speed rpm	Max. load (kg)	Water consumption (approx. liter)		Energy consumption (approx. kWh)	Programme time (approx. hrs and min.)
						Hot <sup>1)</sup>	Cold <sup>2)</sup>		
Standard cotton, 60 °C		60	5	1200	8	82	0	1,20	3:05
Standard cotton, 40 °C		40	5	1200	8	82	0	0,70	2:55
Heavy wash, 90 °C	X	90	3	1200	8	73	7	2,35	1:35
Heavy wash, 60 °C	X	60	3	1200	8	63	7	1,15	1:15
White, 90 °C		90	3	1200	8	52	18	1,35	0:58
White/Colour, 60 °C		60	3	1200	8	47	18	0,30	0:48
White/Colour, 40 °C		40	3	1200	8	51	14	0,30	0:50
Super quick wash, 60 °C		60	3	800	4,0	33	12	0,60	0:30
Super quick wash, 40 °C		40	3	800	4,0	33	7	0,35	0:25
Synthetics, 40 °C		40	3	800	4,0	40	5	0,35	0:23
Wool/hand wash, 30 °C		30	3	800	3	60	0	0,35	0:30
Rinse			1	1200	4,0	20	0	0,10	0:15
MOP wash, 90 °C	X	90	2	1200	8	47	8	1,25	1:00
MOP wash, 60 °C	X	60	2	1200	8	42	8	0,35	0:40
Micro fibre wash, 60 °C		60	3	1200	8	37	18	0,30	0:50
Micro fibre wash, 40 °C		40	3	1200	8	41	14	0,30	0:50
Disinfection, 40 °C	X	40	3	1200	8	68	7	0,70	1:15
Disinfection, 60 °C	X	60	3	1200	8	68	7	1,50	1:25
Disinfection, 90 °C	X	90	3	1200	8	78	7	2,65	1:45
Program A									
Program B									
Program C									

1) Connection to hot water, approx. 55 °C.

2) Connection to cold water, approx. 15 °C.

The above table presents a few examples of the energy, water and time consumption of a few different programme settings. Consumption can vary depending on water pressure, water hardness, water supply temperature, room temperature, load weight and content, variations in the power supply and selected options.

# Washing

## 6 Close the washer door and press the Start/Stop button

### NOTE!

A few seconds after you start a programme the washing machine will begin to fill with water from both the hot and the cold supplies. If for some reason no hot water is available, the machine waits for one minute and then fills with cold water only. The wash drum does not start to rotate until it begins to fill with water.

### Time remaining

"Programme started" is shown on the display.

### To add or remove washing after the program starts

If you want to add or remove items after the programme has started, you can stop the programme by pressing and holding the Door opening button (key symbol) for three seconds. When you restart the machine, add any extra detergent needed and close the washer door. The machine continues automatically from the point where the programme was interrupted.

### Stopping or changing a programme

You can stop a programme by pressing the Start/Stop button for three seconds. "Stop" appears in the display. To restart the machine, select a new programme, add any extra detergent needed and press the Start/Stop button.

### NOTE!

Do not open the detergent compartment while the machine is running.

## 7 Once the program has finished

The text "Done" is shown on the display for 2 minutes. The machine then turns off.

The washer door opens automatically once the programme has finished. If you want to deactivate the automatic door opening function, see the "Selecting settings" section.

- Remove the load.

If you have small children or pets at home, close the washer door once you have removed the laundry.

# Settings

## You can change the following settings:

- Language
- Child-safe
- Door opening
- Temperature °C/°F
- Water intake

Do as follows to open the settings menu:

1. Turn off the machine using the main power switch.
2. Press and hold the Door opening button and then press the main power switch. Then press the Door opening button 5 times within 10 seconds.
3. Select the setting you want to change by turning the programme selector.
4. Press the Door opening button once.
5. Change and save the setting as described below.
6. Press Start/Stop to return to the programme menu.

## Door opening

If you do not want the washer door to open automatically when the programme is finished you can deactivate this function.

1. Turn the programme selector, choose "Automatic door opening on" or "Automatic door opening off".
2. Press the Door opening button once to save the setting.

## Language

1. Turn the programme selector to choose from: US English, AU English, Svenska, Dansk, Norsk, Suomi, Français, Deutsch, Italiano, Español, Русский, Nederlands, EU English.
2. Press the Door opening button once to save the setting.

## Temperature

1. Turn the programme selector to choose between: °C and °F.
2. Press the Door opening button once to save the setting.

## Water intake

Connecting to both the hot and cold water supplies reduces the wash time and reduces the washing machine's electricity consumption. At the factory, the machine is set for connecting to both hot and cold water supplies. Select Cold if you want to set the machine for cold water intake only.

- Turn the programme selector to choose between: Cold and Hot.
- Press the Door opening button once to save the setting.

## Child-safe

You can activate the Child-safe start option to prevent children from starting the machine.

1. Turn the programme selector and select "Child-safe On" or "Child-safe Off".
2. Press the Door opening button once to save the setting.

You can temporarily deactivate Child-safe start by pressing Start/Stop and the Door open button at the same time. Child-safe start will be deactivated for 3 minutes.

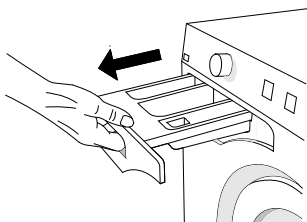
# Care and cleaning

## Cleaning the detergent compartment

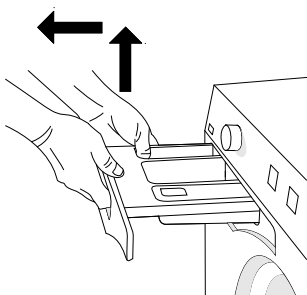
### NOTE!

Do not run the detergent compartment through a dishwasher!

Pull the detergent compartment out as far as it will go.



Lift the detergent compartment as you pull it out to remove it from the machine.



Rinse the compartment and scrub it clean. The fabric softener compartment cover can be removed.

## Cleaning the outside of the machine

Clean the outside of the machine and the program panel with a mild cleaner. Do not use any solvents, as these can damage the machine.

### NOTE!

Do not hose down the machine with water!

## Cleaning the inside of the machine to avoid unpleasant smells

Modern detergents often allow clothes to be washed at low temperatures. This means that small deposits can build up in the machine. These, in turn, may lead to unpleasant smells developing.

To avoid this, we recommend running a 95 °C wash programme once a month. When you do this, use a small quantity of detergent. It is not necessary to put any washing in the machine.

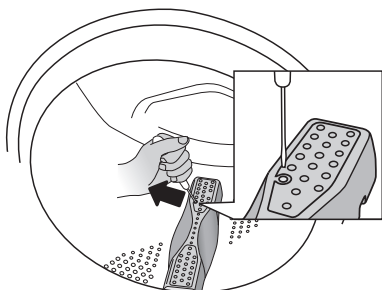
# Care and cleaning

## Rinse holes under the agitator

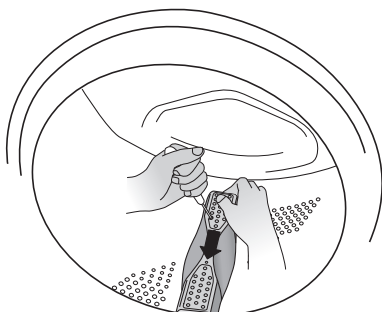
If you suspect that objects such as nails or paper clips may have fallen into the wash drum, you should check the space under the agitator. Such objects can rust and cause spots on clothing. Nails and other sharp objects can cause holes in fabrics.

### Do as follows:

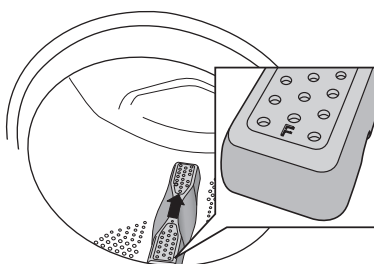
1. Insert a screwdriver or the like into the hole on the agitator as illustrated and carefully pry to the left.



2. Use your other hand to grasp the agitator and pull it towards you.



3. Lift the agitator.
4. Remove any objects.
5. Place the agitator in the mounting hole with the F-mark towards you. Ensure that all the agitator fasteners are in their holes in the drum. Push it in until it catches.



## If you have hard water

If you live in an area with hard water (high limescale content), a greyish-white coating may form on the wash drum. To remove this coating, pour approximately 20 gram of citric acid into the wash drum and run any 95 °C programme. Repeat if necessary.



# Troubleshooting

## The washer door will not open

1. Check that the main power switch is on.
2. Is there power? Check your home's fuses (circuit breakers). The washer door cannot be opened with the door opening button (with the key symbol) if power is off.

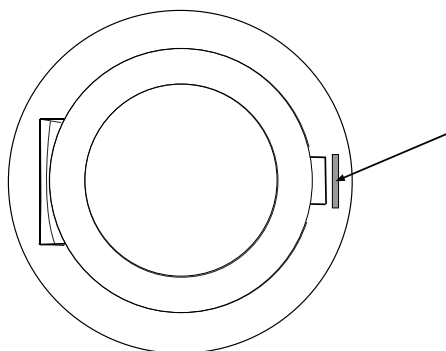
### If nothing else works, the washer door can be opened as follows:

#### WARNING!



The door may only be opened manually if the electric power is cut and the machine has been drained of water.

- A First empty the water from the washing machine. Press and hold the Door opening button for three seconds to pump out the water.
- B Ensure that the main power switch is turned off and that the plug has been removed from the wall socket.
- C Take the emergency door opening tool and place it in the gap on the right side of the washer door lock. This tool is found in the enclosed plastic bag.
- D Push the tool upwards to open the washer door.



If in the future the washer door does not open when the wash programme has finished, call the service division.

## The machine will not start

1. Is the washer door properly closed? Push it firmly.
2. Is there power? Check the fuses and residual current devices (circuit breakers) in the building.

## After power failure

Press the main power switch to resume the current programme.

## Wet washing still in the machine

A small load can under certain circumstances cause imbalance (see "Unbalance"). Rearrange the load and start the spin programme, or load more washing and restart the washing programme.

# Troubleshooting

## Error messages

If an error occurs during the programme a message is shown on the display. To exit the message after taking measures, turn the machine off and then back on.

The error messages that may be shown in the display are:

### Close the Door

Close the washer door and the programme will start.

### Over flow fault

1. Shut off the water tap.
2. See "Water outlet fault".

### Water outlet fault

Press the Door opening button (key symbol) to empty the machine of water before opening the washer door. If this does not resolve the problem, call the service division.

### Water inlet fault

#### Check:

- that the tap on the water pipe is open.
- that the filter in the machine's water intake is not blocked.

#### Action:

1. Shut off the water tap.
2. Unscrew the hose.
3. Clean the filter in the intake valve on the machine.
4. Screw the hose back on.
5. Turn on the tap.
6. Run the program again to check if the fault is fixed.
7. If this does not resolve the problem, call the service division.

### Security fault

Call the service division!

### Wash motor fault

Call the service division!

### Unbalance

The machine stops the spin cycle if there is too much imbalance. The washing machine restarts the spin cycle and hopefully the washing is better distributed in the drum. This procedure can be repeated up to 10 times. If the machine still fails to find a good balance, the programme jumps to the next step.

The error message requires no action.

# Technical information

## Information for test institute

### Energy labelling

European test standard:	EN 60456
Washing program:	Standard cotton, 60 °C, 1200 rpm, 8 kg cotton
Connection:	Cold water 15 °C
Test method for noise measurement:	IEC-60704-2-4

### Technical data

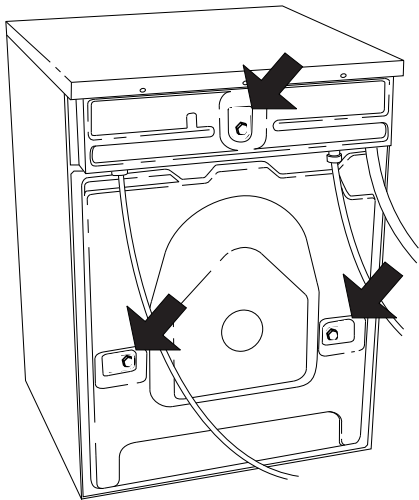
Height:	850 mm
Width:	595 mm
Depth:	585 mm
Weight:	73 kg
Cylinder volume:	60 l
Max. washing capacity:	8 kg
Spin speed (rpm):	400-1200
Rated power:	See type plate.
Heater output:	See type plate.
Water pressure:	0,1-1 MPa 1-10 kp/cm <sup>2</sup> 10-100 N/cm <sup>2</sup>
Wash drum and liquid compartment material:	Stainless steel
Outer casing material:	Powder-coated and hot-galvanized sheet steel or stainless steel.
Water connection:	1,5 m pex pipe
Drain:	1,7 m polypropylene hose 3/4 BSP connection

This machine is approved in the U.K. for all environments and fulfils the Category 5 requirements.

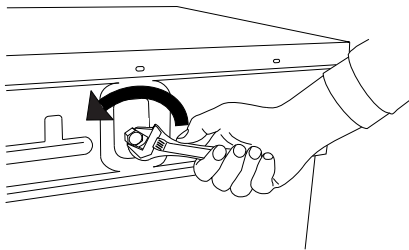
The product is included in the WRAS directory and is approved for direct connection to the drinking water supply. No special fittings, such as external overflow protection, are necessary.

# Transport protection

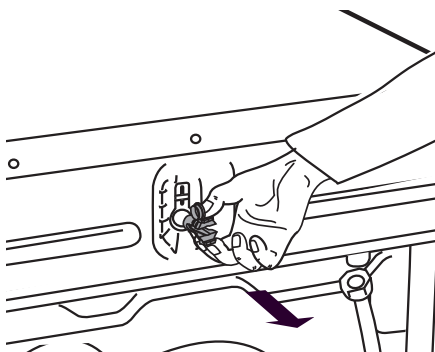
Remove the three transport bolts and the plastic plugs for locking the machine for transport before using the machine.



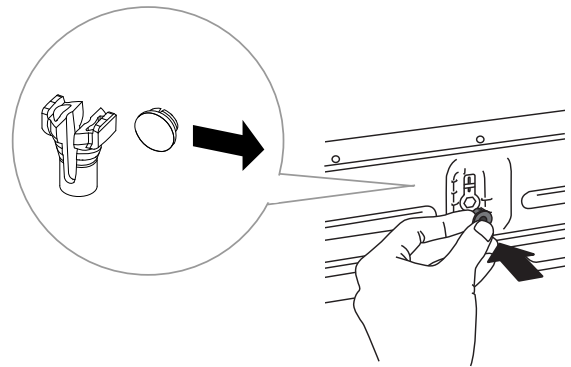
1. Loosen and remove the bolts as illustrated below.



2. To remove the plastic plugs that held the bolts, squeeze together and pull out.



3. Remove the plastic covers from the plugs. Push the plastic covers into the three holes that contained the plugs. Save the plastic plugs in case the machine is moved in the future.



## NOTE!

If the machine is to be transported, the bolts and plastic plugs for locking the machine during transport must be installed to prevent damage to the machine through shaking. If the transport bolts or plastic plugs have been lost, you can order new ones from your retailer.

Article number	Designation
80 882 77	Screw
80 901 05	Plastic plug, transport lock

Order three of each item!

# Installation

## Positioning the washing machine

The washing machine can be installed as a built-in or freestanding unit. Position the machine so that the electrical plug is easily accessible.

### A. Built-in

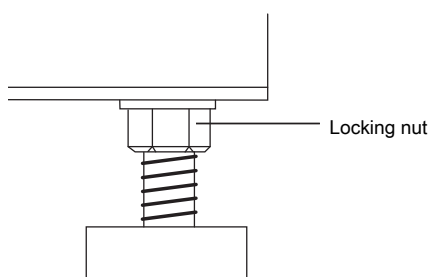
The washing machine can be installed under a counter top with a working height of 850-900 mm. Leave a 5 mm space around the entire machine, including between the rear edge of the top cover and the wall behind it.

### B. Freestanding

The washing machine can be positioned beside or under a tumble dryer.

## Adjusting the feet

Keep the noise that the machine produces to a minimum by adjusting the feet so that the machine is steady and balanced on the floor. Tighten the lock nuts.

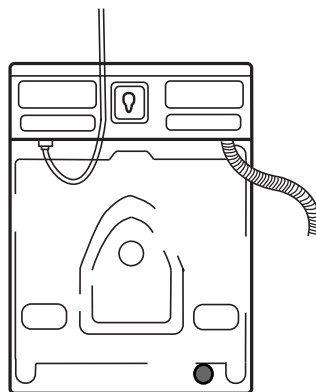


Should the machine need to be well secured to the floor, anti-tilt devices, with fitting instructions, are shipped with the machine.

## Connection to water supply

Water connection should be carried out by an appropriately qualified person. Connect the machine using the accompanying supply hose. Water pressure should be 0.1–1MPa (approx. 1–10kp/cm<sup>2</sup>; 10–100N/cm<sup>2</sup>). There should be a stopcock on the water pipe.

If the pipes are newly installed, it may be wise to flush them through so that any dirt is washed away. Otherwise, dirt can clog the filter in the machine's water intake and cut off the water supply.



Use only the supply hose supplied with the machine. Do not re-use old hoses or other loose supply hoses.

## Water intake

At the factory, the machine is set for connecting to both hot and cold water supplies. The machine can be set for cold water intake only. See the section "Settings".

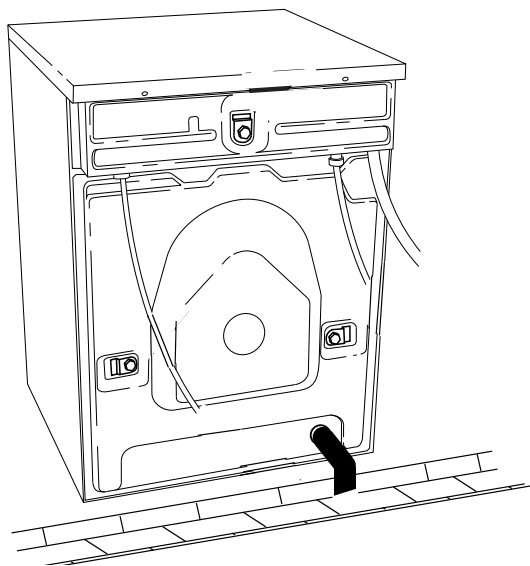
## Hot water connection

A few seconds after you start a programme the washing machine will begin to fill with water from both the hot and the cold supplies. If for some reason no hot water is available, the machine waits for one minute and then fills with cold water only. The wash drum does not start to rotate until it begins to fill with water.

## Drainage connection

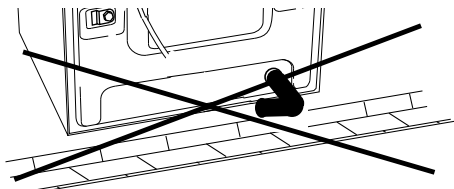
A water outlet hose is included with the machine. This is attached to the machine's outlet and routed to a floor drain or drainage pipe.

# Installation



## NOTE!

The height of the mouth of the outlet hose must be lower than the lowest part of the outlet valve.



## Electrical installation

If the machine is delivered from the factory with a plug attached, it can be connected to an earthed wall socket. Otherwise, a permanent connection using a multipolar circuit breaker must be made by a qualified professional.

## Connection on delivery

The machine is supplied as 3-Phase, 400 V, 50 Hz, heat output 3000 W and has a 10 A plug. Any residual current devices must be type A.

## NOTE!

Repairs and maintenance relating to safety or performance must be carried out by a qualified professional.

## Coin operation

The machine is prepared for coin operation. Such installation must be carried out by a qualified professional.

The installation requires a connection cable to power the coin meter. This connection cable can be ordered using the factory art. no. 92 090 95.

The coin meter shall be able to short circuit two signal lines for periods of up to 10 minutes. This is to give the user time to load the machine, choose a programme and start the programme after putting the coins in.

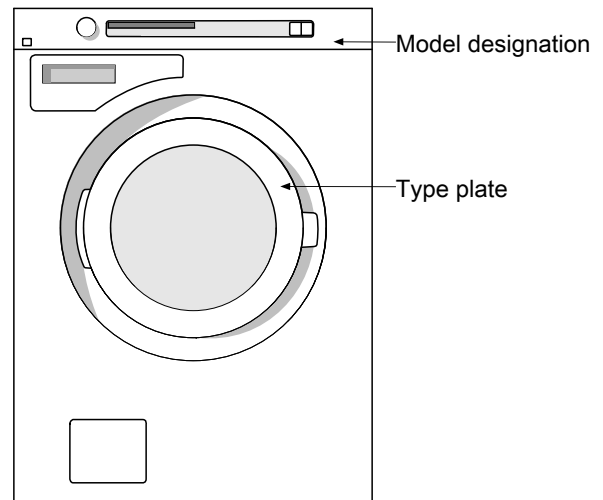
"Insert coin" appears on the display when the machine is started with the main power switch.

# Service

## Before contacting the service division

Before you contact the service division, make sure that you know the model designation, type designation and serial number.

The model designation can be found on the panel. The type designation and serial number can be found on the type plate on the inside of the washer door.



# Quick guide

## 1 Washing

1. Empty pockets and refasten zips.
2. Read the item's laundry label.
3. Sorting laundry.

### NOTE!


Place underwired bras in a laundry net.

## 2 Load the laundry

1. Press the main power switch.
2. If the washer door is closed, press the Door opening button (key symbol) and the door will open.
3. Load the washing and close the washer door.

## 3 Detergent compartment

1. Pour detergent into the main wash compartment, and pre-wash compartment as well if required. Pour

fabric softener into the compartment on the right with the -symbol.

2. If you use liquid detergent, follow the detergent manufacturer's recommendations.

## 4 Select the programme

1. Select a programme by turning the programme selector.
2. Press the Start/Stop button.

## 5 Program finished

1. The text "Done" is shown on the display for 2 minutes. The machine then turns off.
2. The washer door opens automatically once the programme has finished.
3. Remove the load.

If you have small children or pets at home, close the washer door once you have removed the laundry.