



Media Source 200 User Guide

MERIDIAN

Important safety instructions

- Read these instructions.
- Keep these instructions.
- Heed all warnings.
- Follow all instructions.
- Do not use this apparatus near water.
- Clean only with a dry cloth.
- Do not block any ventilation openings. Install in accordance with the manufacturer's instructions.
- Do not install near any heat sources such as radiators, heat registers, stoves, or other apparatus (including amplifiers) that produce heat.
- Only use attachments/accessories specified by the manufacturer.
- Unplug this apparatus during lightning storms or when unused for long periods of time.
- Refer all servicing to qualified service personnel. Servicing is required when the apparatus has been damaged in any way, such as power-supply cord or plug is damaged, liquid has been spilled or objects have fallen into the apparatus, the apparatus has been exposed to rain or moisture, does not operate normally, or has been dropped.

WARNING: TO REDUCE THE RISK OF FIRE OR ELECTRIC SHOCK, DO NOT EXPOSE THIS APPARATUS TO RAIN OR MOISTURE.

- Use only with the mains power adapter supplied with the unit. Replacements are available from your Meridian dealer.

Safety warnings

- Do not expose the unit to dripping or splashing.
- Do not place any object filled with liquid, such as a vase, on the unit.
- Do not place naked flame sources, such as lighted candles, on the unit.
- To avoid overheating leave at least 10cm around the equipment to ensure sufficient ventilation.
- Do not position the unit in direct sunlight, near heat sources such as a radiator, or directly on top of heat producing equipment, such as a power amplifier.
- To avoid interference do not position the unit near strong electrical or magnetic radiation, such as near a power amplifier.

Radio interference

FCC Warning: This equipment generates and can radiate radio frequency energy and if not installed and used correctly in accordance with our instructions may cause interference to radio communications or radio and television reception. It has been type-tested and complies with the limits set out in Subpart J, Part 15 of FCC rules for a Class B computing device. These limits are intended to provide reasonable protection against such interference in home installations.

EEC: This product has been designed and type-tested to comply with the limits set out in EN55013 and EN55020.



Copyright

Meridian Audio Ltd
Latham Road
Huntingdon
Cambridgeshire
PE29 6YE
England

Copyright © 2012 Meridian Audio Ltd.

Visit us on the Web:
<http://www.meridian-audio.com>

Part no: MS200 (P88410)

This guide was produced by:
Human-Computer Interface Ltd,
<http://www.interface.co.uk/>

Unpacking

The Media Source 200 is supplied with the following accessories:

- Power supply.
- This manual.

If either of these items are missing please contact your dealer.

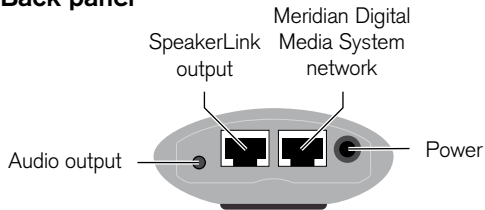
Power

The Media Source 200 can be powered directly from a recent Meridian component with a SpeakerLink input, such as the Audio Core 200, DSP3200, DSP3300, or M6 loudspeakers. Otherwise connect the supplied power unit.

Indicators

- Left: Indicates infra-red reception.
- Centre: Flashes during start-up, is dim during standby, and is bright during normal operation.
- Right: Indicates the network connection status.

Back panel



Connection

Network

SpeakerLink
Output

Audio Out
3.5mm analogue
or digital optical

Power input

Description

A Meridian Digital Media System, using a CAT5 network cable.

Digital loudspeakers, or an Audio Core 200, using a Meridian SpeakerLink lead.

The analogue inputs of a preamplifier or power amplifier, or the digital input of a digital preamplifier.

Optional power input, using the Meridian power unit.

Using the Media Source 200

The Media Source 200 is designed to be used in conjunction with a Meridian Digital Media System Core hardware or software product.

Media Source 200 Web interface

The Media Source 200 can be configured using its internal web interface, which can be accessed over the network from any device that supports a web browser.

You can find its address using the Meridian Sooloos Configuration Application, or in systems with a Control:One, Control 10, or Control 15, through the Device Manager. Alternatively, it can be found by interrogating your router and locating the IP address that matches the MAC address of the Media Source 200 product (the product's serial number is its MAC address).

It provides the following information and settings:

Setting	Description
Identification and Version numbers	For information and support use.
Current status	The source and volume.
Comms configuration	The system and product addresses, product category, and IR mode.
Audio output	Analogue: fixed or variable volume, and gain offset. Digital: 1x, 2x, or direct. Start volume.
Source configuration	The startup source.
Speaker configuration	The settings for Meridian DSP loudspeakers connected via SpeakerLink.
Ethernet configuration	DHCP or Static IP, and the IP address and mask.

Infra-red receiver

The front panel of the Media Source 200 includes an infra-red receiver, to allow it to control a Meridian system using the MSR+ or Audio Core 200 handset.

The infra-red receiver has the following settings:

Setting	Description
Controller	It receives infra-red commands for the Meridian system.
Not Controller	It ignores infra-red commands.
Auto	This is the initial setting. The Meridian system will automatically designate one unit as the controller.

The setting can be changed from the Media Source 200's internal web interface; see opposite page.

To configure the Media Source 200 as controller

In a simple system with M6 or DSP3300 loudspeakers you should make the Media Source 200 the controller, as follows:

Either:

- Press **Clear** on the MSR+ to start the auto setup process.

If the Media Source 200 is designated as controller the left and right indicators will give a long flash. The left indicator will then indicate infra-red reception.

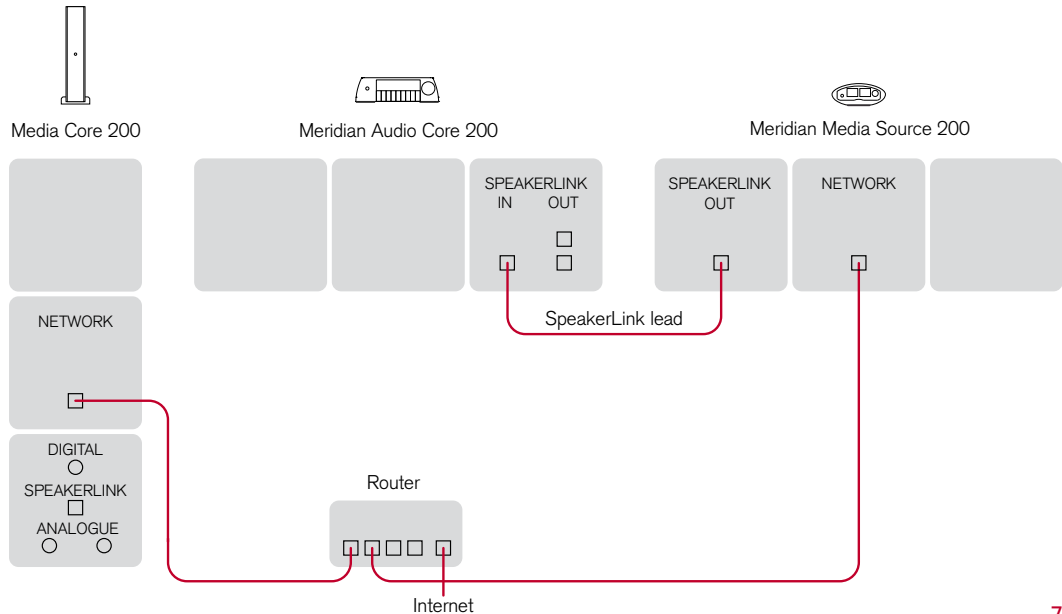
Or:

- In the Media Source 200's internal Web interface select the Controller setting.

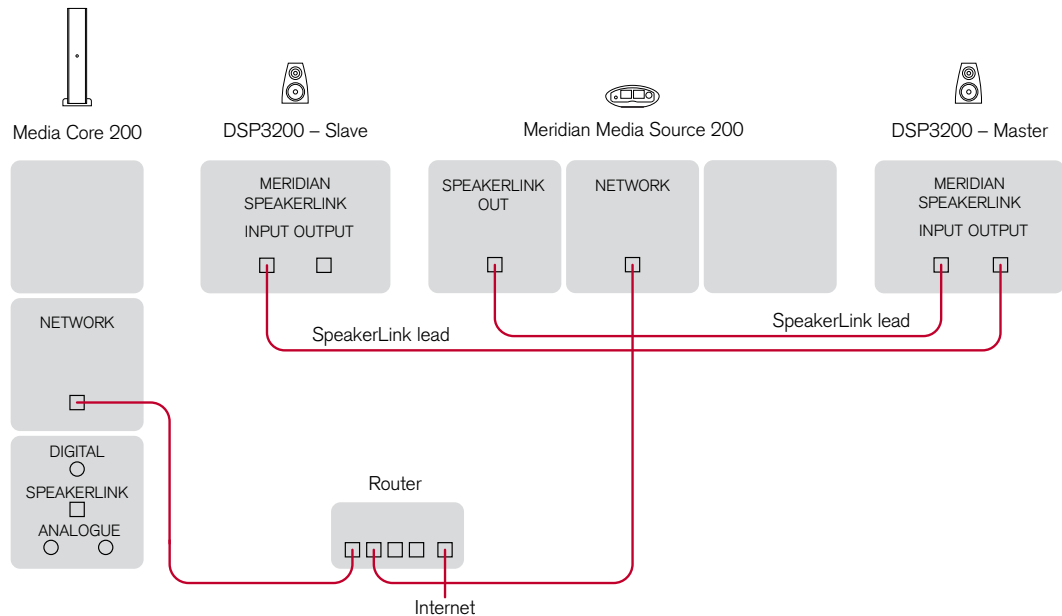
The product will then respond to both the MSR+ and the AC200 handset.

Applications

To connect to an Audio Core 200



To connect to Meridian DSP loudspeakers



The Media Source 200 can be connected to a Meridian Audio Core product such as the AC200, or directly to a pair of DSP loudspeakers such as the DSP3200, to play music from a Meridian Digital Media System in a separate zone. The examples show the music stored on a Media Core 200.

You can adjust the volume in the zone, or select the music, via the iPhone or iPad control application.

In these configurations the Media Source 200 is powered via the SpeakerLink cable, and no external power unit is necessary.

- Connect the Network socket to one of the LAN network connections on your Router, using a CAT5 cable.
- Make sure the WAN/Internet port on the Router is connected to the rest of your network, or to your Cable/DSL Modem.

If you are connecting to an AC200:

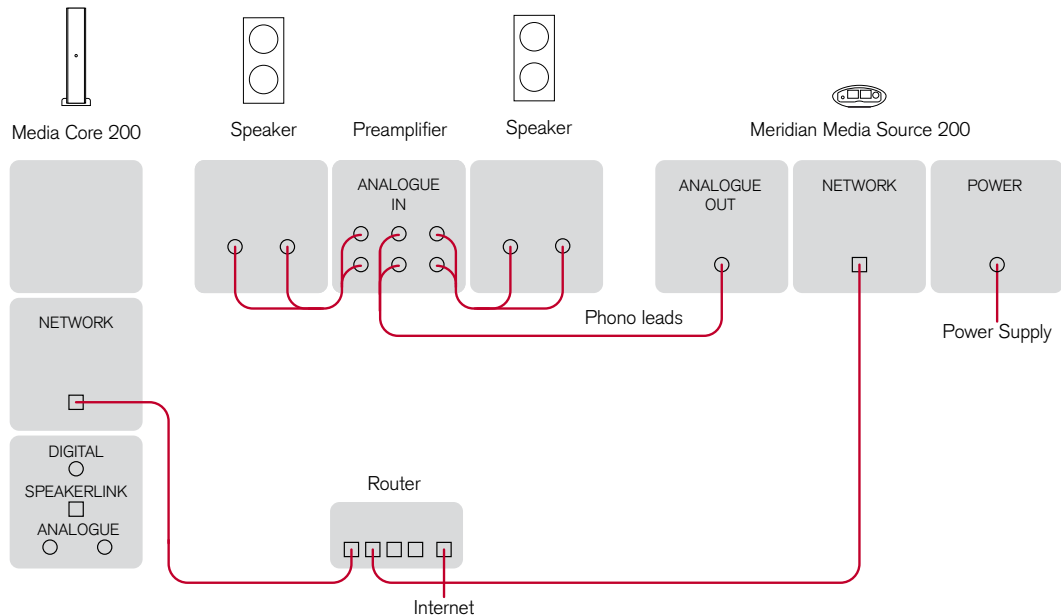
- Connect the Media Source 200 SpeakerLink output to the Audio Source 200 SpeakerLink input, using a Meridian SpeakerLink lead.

If you are connecting to a pair of DSP loudspeakers:

- Connect the Media Source 200 SpeakerLink output to the SpeakerLink input on one of the DSP loudspeakers, using a Meridian SpeakerLink lead.
- Connect the SpeakerLink output from that loudspeaker to the SpeakerLink input of the other loudspeaker, using another Meridian SpeakerLink lead.

You can optimise the loudspeakers for their room placement using the options in the Speaker configuration section of the Media Source 200 Web interface.

To connect to an analogue amplifier



The Media Source 200 can be connected to one of the inputs on an analogue preamplifier to provide access to the music on your Meridian Digital Media System. This example shows the music stored on a Media Core 200.

- Connect the Network socket to one of the LAN network connections on your Router, using a CAT5 cable.
- Make sure the WAN/Internet port on the Router is connected to the rest of your network, or to your Cable/DSL Modem.
- Connect the Analogue Out socket from the Media Source 200 to the analogue inputs of the amplifier in the zone, using a mini-jack plug to stereo phono leads.
- Use the Meridian Sooloos Configuration application to set the Media Source 200 to Fixed Output, so the volume will be controlled by the preamplifier.

You can then control the music in the zone containing the Media Source 200 from the

Sooloos Control, or via the iPhone or iPad control application.

