

Made for OnlineCameraShop.NL

# Intelligent Door Peephole Viewer User Manual

**WINCORE Series      Version V1.2**

**Lead New Generation Intelligent Lives**

## Contents

1 × Indoor & Outdoor control unit

1 × Micro-SD card

1 × User manual

1 × Warrant card

1 × Fixed sheet steel

1 x Lithium battery, built-in Li-Pol

1 × Power adapter

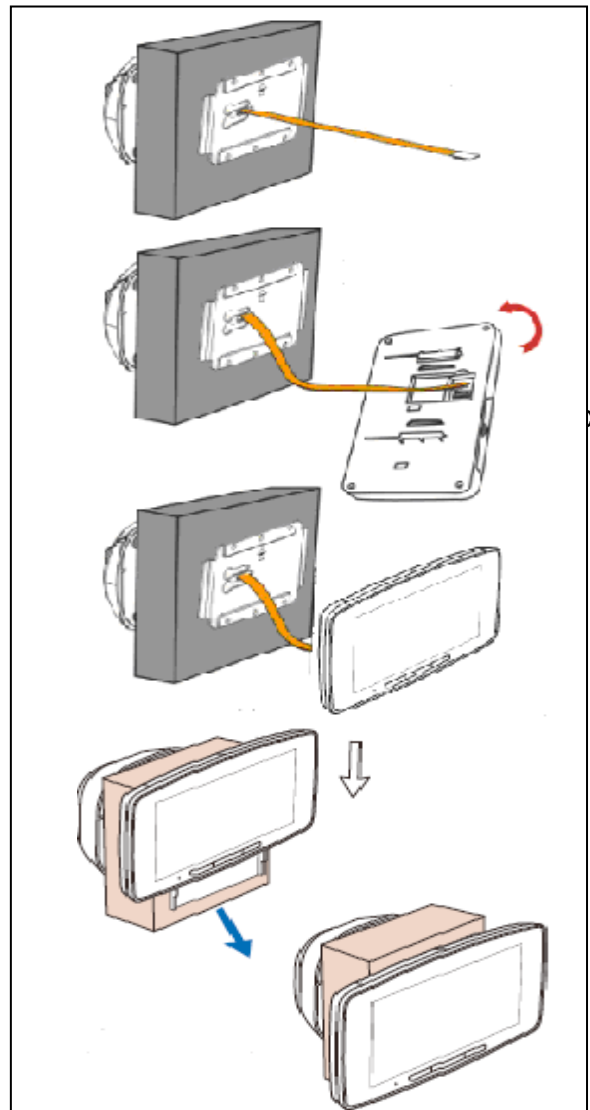
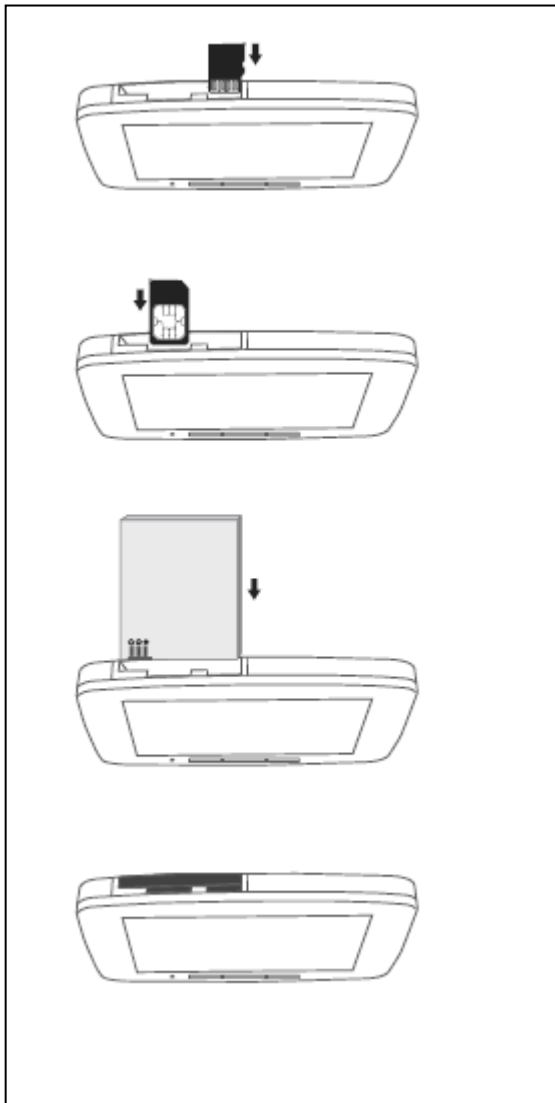
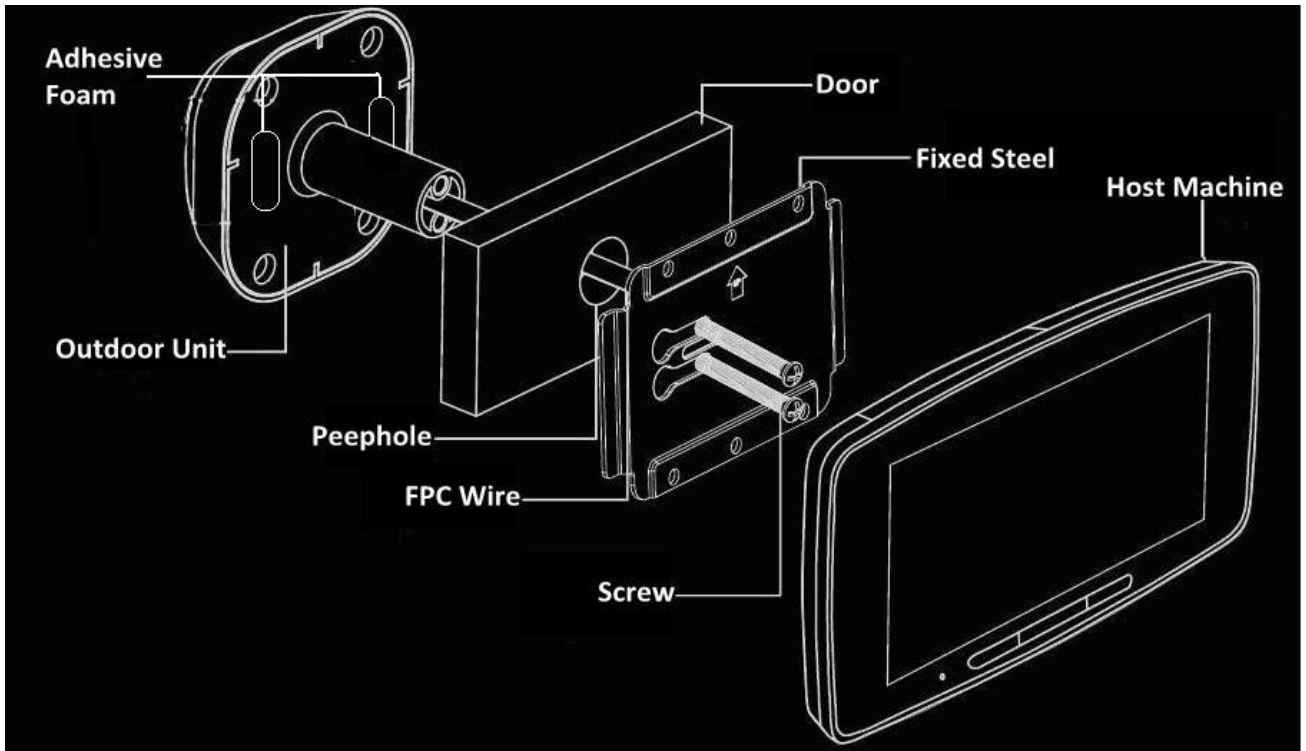
1 x USB data wire 3 meters

1 × Tow pairs screws, select one only pair which is according to the door thickness

## Specification:

Indoor control unit	142×88×13.5mm
Screen	5" HD LCD Touch Screen
Outdoor control unit	61×61×14.1mm
View angle	165 degrees
Door peephole diameter limits	12mm ~ 60mm
Door thickness limits	30mm~ 100mm
Power source	1400mAh, 3.5V~4.5V
Charging	Battery charge directly via the Micro USB at the bottom of the host machine; Use adapter to charge.
Language	1. Domestic Version (English & Chinese) 2. Oversea Version (English, Spanish, French, German, Portuguese, Russian, Italian, Turkish, Ukrainian, Arabic, Farsi, Hindi, Vietnamese, Filipino, Thai).

## Install illustration



Ins

ct it to the ho

## Installation Details

### First Step: Install outdoor unit

2. Clear out of the door which is part of outdoor unit area, make it clearly, could be more easy to stick on the door by adhesive foam.
3. FPC wire of outdoor unit across door peephole
4. Set right position of outdoor unit, tear off back of adhesive foam(pic 1)



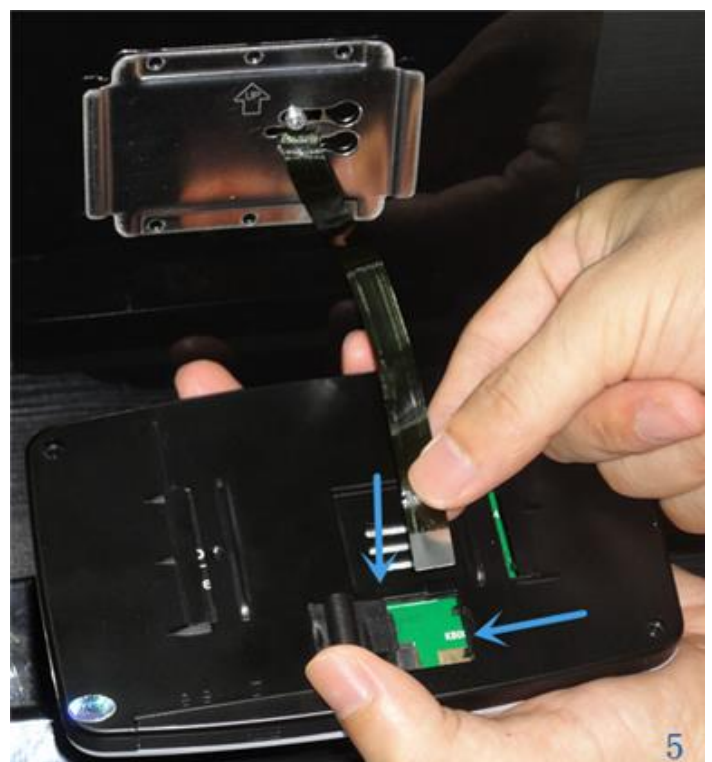
### Second Step: Fix outdoor unit

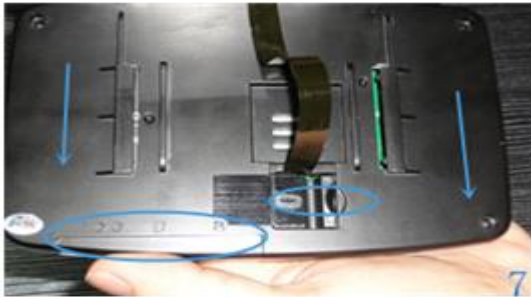
1. FPC wire across middle of flat shape hole of fixed steel(pic 2)
  - △ FPC wire must be through via flat, could not be voluble.
  - △ On fixed steel "UP" upwards and faces to inner of door.
  - △ Notice peephole position and direction when FPC through fixed steel.
2. Press fixed steel on door, fix the first screw(pic 3)
  - △ Blue arrowhead points out correct position, red is wrong
  - △ Press fixed steel when installs first screw, and notes do not slide steel disc when tightens the screws
  - △ The first screw fix above on FPC wire
3. Fix the second screw(pic 4)
  - △ Raise up FPC wire, and look out do not scratch wire.
  - △ Tighten up screw, otherwise, FPC wire would be easy to be scratched by screw nut.



### Third Step: Connect host machine

1. Open the cover of connector
2. FPC binding head buckles host machine(pic 5)
  - 1).Attention: hold host machine by hand, make connector close to thumb
  - 2).Metal square piece upwards
3. Buckle connector of host machine, in picture mark two black points side press slowly to flat(pic 6)





4. Then cover after connect done(pic7), please notes mark position on reference



**Fourth Step: Install host machine**

1. Press FPC wire softly, make it bend and close to back of host machine side (pic 8)
2. Host machine slot aim at fixed steel, buckle on steel slowly(pic 9)

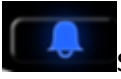



**Remark:** The show-how is in display rack(50mm), such as most of doors

**Structure illustration**

**A. Outdoor Unit**




3. IR/Motion sensor: Any subject/People that has temperature and take moving, stay in front of door over 15s( time can be setting), it can know auto, doorbell light will be on  specially at night, can see clearly, auto transfer data to host machine
4. LED: support day/night vision, IR range 3 meters
5. Outdoor MIC: Leave record video and leave voice message to host. And if host machine be installed SIM card, can talk with host via mobile directly
6. Outdoor Speaker: Receive host voice that is from host's mobile base on SIM card inside of host machine
7. Camera: 165° Wide angle lens, monitoring in front of door, take photo and record video
6. Doorbell: When press  will be on for inside light, and inform host that somebody is in front of door.


### B. Indoor unit(Host machine)



Indoor MIC \_\_\_\_\_ Reset  
 Phone Dial Camera Power On/Off

1. Indoor MIC: Speaker hole, talk with others

2. Phone Dial: Press , Call any number base on SIM card(850/900/1800/1900 MHz )

3. Camera: Press , can monitor outdoor and watch in front of door subject, take photo or not can be option

4. Power On/Off: Press , Could turn On/Off device

5. Reset: Turn Off device forcibly, but will save ex-operation information

6. USB: Bottom of machine, recharge and transfer file data port

I. Photos: After take photo, check , top right conner be shown photo's quantity.

II. Video: After record video, check , top right conner be shown video's quantity.

III. Mode Switch: Home Mode/Outside Mode 

IV. Menu: Function details 

### C. Function panel





1. Photos/Video: Check photos/video document, can be canceled one by one or all.



Number:

1. Guest can talk to host through phone, auto call the number that default bind with device, totally five number that could be binding.

Noted: Only these five numbers' phone can initiative call device, the others call, remind busy beep sound.



2. Dialed: How many calls has been called details



3. Inbox: MMS be sent details, what are guests' photos to send host mobile phone



4. Calendar: check date (day/month/year)



5. Monitor:

1)Monitor Trigger: Can be setting 1s/3s/5s/10s/15s/20s/off, means how long time can auto take photo when guest is in front of door, when be setted "off", won't take photo.

2)Monitor Warning: Can be setting 20s,30s and off, means how long time doorbell button can ne known subject whether is in front of door,the light also will be on. when be setted “off”, won’t know, and light won’t on neither.

3)Sensibility: Can be setting Low,Medium and High, means what’s monitor level, mostly be setted “High”

4)MMS Alert Switch: On/Off, it bases on SIM card in device before use, bind a GSM mobile phone number first, Sets”On”. Otherwise, no any MMS to binding phone.

5)LED switch: On/Off, when guest press doorbell or monitor warning, the LED will be on, if be setted Off, the light will not light on.

6. File System:  Edit photo/video document, can check/delete.

7. Settings: 

1)Time and date: set home city/date & format/time & format

2)Tone settings: set different tone of doorbell, change press button tone, voice volume

Remark: Can change any tone what you like, specially tone should be in TF-card first, can download to TF-card, and choose it from there directly, tone should be MP3 format.

3)Display setting: change wallpaper picture/LED back light brightness and be shown of Time/Pen calibration, set touching of calibration

Remark: if change wallpaper picture, the picture should be in TF-card first, picture:



480\*272 jpg format.

4)Record Format: Take photo, Preview Size 320\*240, 3 shots, 5 shots ( option)

Record video, 3s/5s/10s/15s(option)

Remark: If choose record video, then MMS alarm could not work at the same condition; Record video for leaving message default 10S.

5)Language:English, German, French, Spanish, Portuguese, Russian, Italian,Turkish, Ukrainian, Arabic, Farsi,Hindi, Vietnamese, Filipino,Thai can be option(domestic version only Chinese and English language)

6)Restore factory settings: Factory reset

8. Help



1)Installation guide: diagram for installation

2)System Information: none

3)Copyright: none

4)Contact us: none

## Function explanation

1. When guests approach the door, the doorbell button lights, tell guests to press it; When guests leave the monitor area, the light goes out.

2. If the guest presses the button, the doorbell rings. and the panel show the guest and take a photo.

3.1 After the ring, if there is no answer ( the ring time can be setted), the doorbell will say: "Hello, I am not at home, please leave a message after beep ring the doorbell, thank you! "

3.2 Within 5 seconds if guests press the button again, the doorbell beeps, then records the video message (the video last for 10 seconds defaulted).

3.3 After the video message, the doorbell will say: "If you are in a hurry to find me, please

ring the doorbell again to call my phone, thank you!” Within 5 seconds if guests press the button again, the doorbell will call the host (dials the pre-set number), put through, guests can speak with the host via the doorbell.

### **Intelligent security function**

1. If guests stay before the door for more than 3 seconds without pressing the doorbell button, the indoor button will light and flicker, warning there are guests out of the door.
2. MMS is against illegal visitor behavior: If guest stay before the door for more than 15seconds (the time can be setted) without pressing the doorbell button, the viewer will take photo for the guest, and store it into the T-card and send a MMS alarm to the host (can be chosen to use or not) and the alarm sounds at the same time (can be chosen to use or not).
3. When guest presses the doorbell button, the viewer takes photo and stores it, the indoor bell rings at the same time; the indoor screen lights, shows the guest outdoor.

### **Communication function**

If urgent, Guests can press the doorbell button again to remote call with the host phone of binding.

### **Features**

1. Support infrared monitoring and infrared night-vision function (within 3m).
2. 5.0” HD LCD, touch screen, more convenient.
3. 2 million pixels security wide-angle camera,
4. Double-battery design, never halt. You can take out the lithium battery, recharge it, another build-in battery can support this machine for a week at the most.
5. Support calendar function

### **Notice**

#### 9. SIM-mode & NO SIM-mode

Only put in a effective SIM-card (charge as a cellphone), can it realize the MMS alarm and remote calls function, but if there is **no SIM-card, it can also support** all the function, except the MMS alarm and remote calls.

#### 5. Home-mode & Outdoor-mode

Home-mode is defaulted, if you are not at home , you can shift the mode via the control panel. Under the outdoor-mode, press the doorbell button, the doorbell will directly begins

from saying: "Hello, I am not at home, please leave a message after beep ring the doorbell,  
thank you! "