

# Cat5 DVI-D Receiver User Manual

Model: DAS-101R

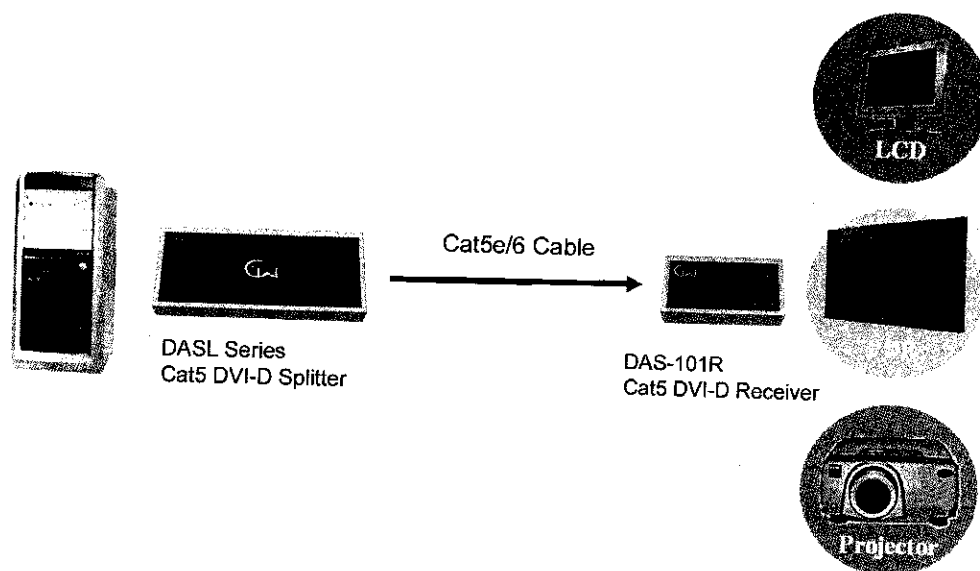
## Features:

1. Extend transmitting distance of the Cat5 DVI-D series
2. Video signal type: DVI-D single link
3. Max. Resolution/Distance: 1280x1024/45M, 1920x1200/25M
4. DASL series Cat5 DVI-D splitter at PC or DVI output device to transmit the DVI-D signal to Cat5e/6 cable
5. Cat5 DVI-D receiver (DAS-101R) at DVI display to receive the DVI-D signal from Cat5e/6 cable
6. Magnetic pad and metal plate to attach to anywhere
7. Automatic and manual adjustment

## Package Content:

Cat5 DVI-D Receiver(DAS-101R) x 1, DC 9V Power Adapter x 1, Metal Plate x 1, Screw x 2, User Manual x 1

## Installation:



1. Please turn off the DVI-D output device and DVI-D displays.
2. Use Cat5e/6 cable (1:1 pin-out), plug in one end to one of "RJ-45 VIDEO OUT" ports of DASL series Cat5 DVI-D splitter and plug in another end to "SYSTEM LINK" port of Cat5 DVI-D receiver (DAS-101R). Connect "DVI OUT" port of DAS-101R to DVI display by standard DVI cable.
3. Connect the DC 9V power adapter to DAS-101R. Then turn on the DVI display and DVI output

device.

4. The “Auto” LED indicates automatic tuning mode. If the video on screen is not correct in automatic tuning mode, tune the VR clockwise until the “Auto” LED turns off. Then tune the VR slowly and carefully until the video can be displayed properly.
5. The orange LED of RJ45 jacks indicates powered and the green LED indicates an active DVI-D video signal.

**Remarks:**

1. Please read this manual carefully before installing the receiver.
2. Please use high quality Cat5e/6 and DVI cables for optimum operation. Cat6 cable is better than Cat5e cable. If there is Electric Magnetic Interference, use FTP or SSTP cable to improve.
3. One year limited warranty.

**Trademarks:**

All the companies, brand names and product names referred to this manual are the trademarks or registered trademarks belonging to their respective companies.