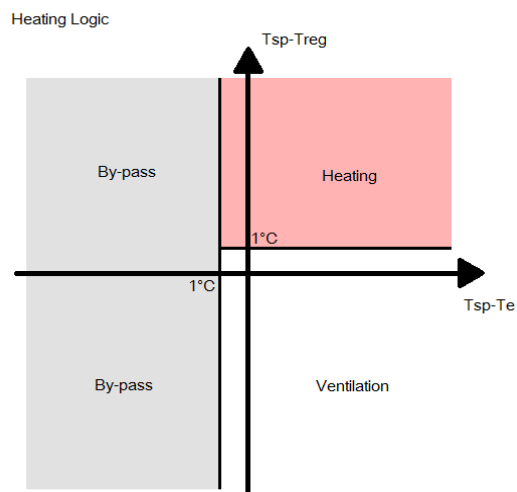
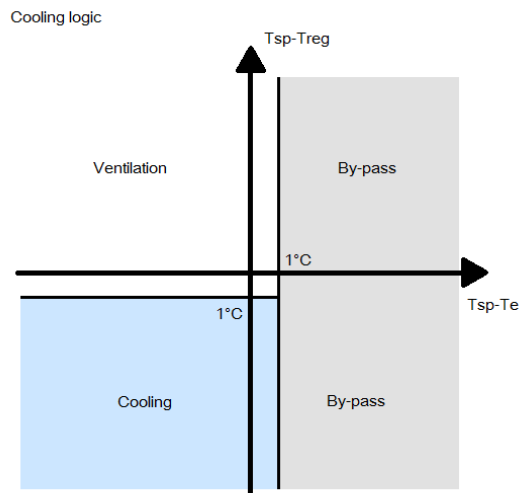


## Control features:

- Automatic / Manual 3 speed fan
- 3 point cooling / changeover floating valve
- 3 point heating floating valve
- ON-OFF Electric heater
- Post ventilation
- Free cooling - Free heating damper
- Alarm management and diagnostic
  - Sensor failure
  - Heater over temperature
  - Dirty filter alarm
- Clock program management
- Remote ON-OFF
- Remote display with internal sensor

## Control logic

In the following diagrams is explained the summer-winter control logic



*Treg* = regulation probe temperature

*Tsp* = Set point temperature

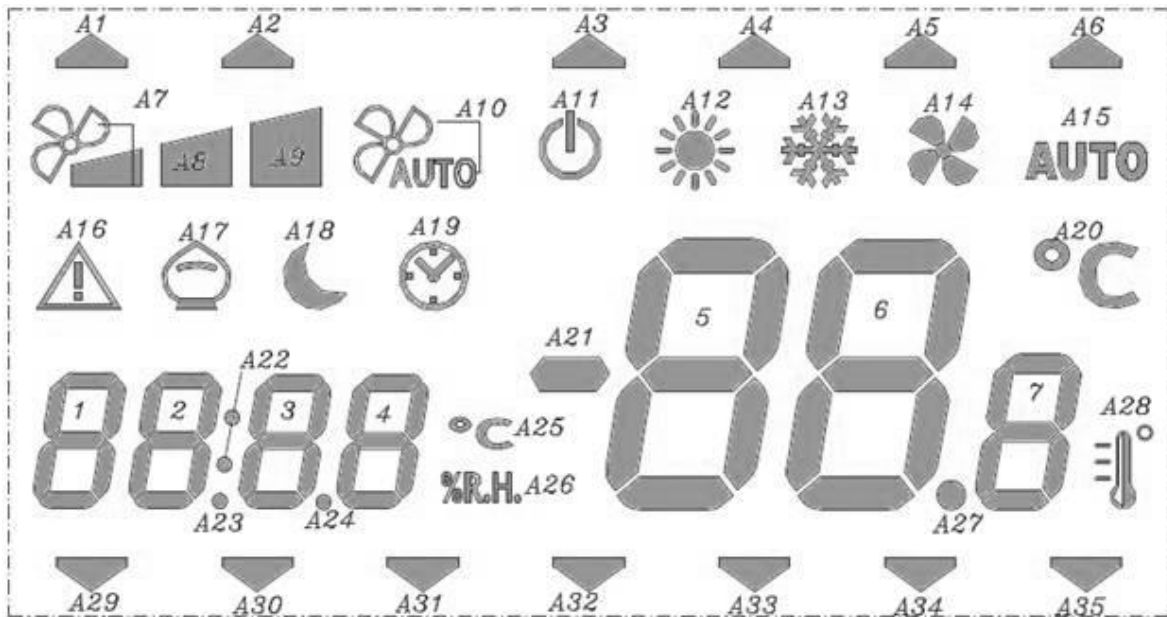
*Te* = External probe temperature

## Weekly program

For each day of the week it is possible to select between 4 programs:

- Program P1: the unit is turned ON in two different time range (for example one in the morning and one in the afternoon)
- Program P2: the unit turned ON in a single time range
- Program P3: the unit is turned ON all the day
- Program P4: the unit is turned OFF all the day

## Display



### Icons:

A3-A6: Active weekly program

A7-A10: Fan speed

A11: ON: Manual OFF

BLINKING: Weekly program OFF

A12, A13, A15: Working mode / while setting: visualizing set point

A16: ON: active alarm

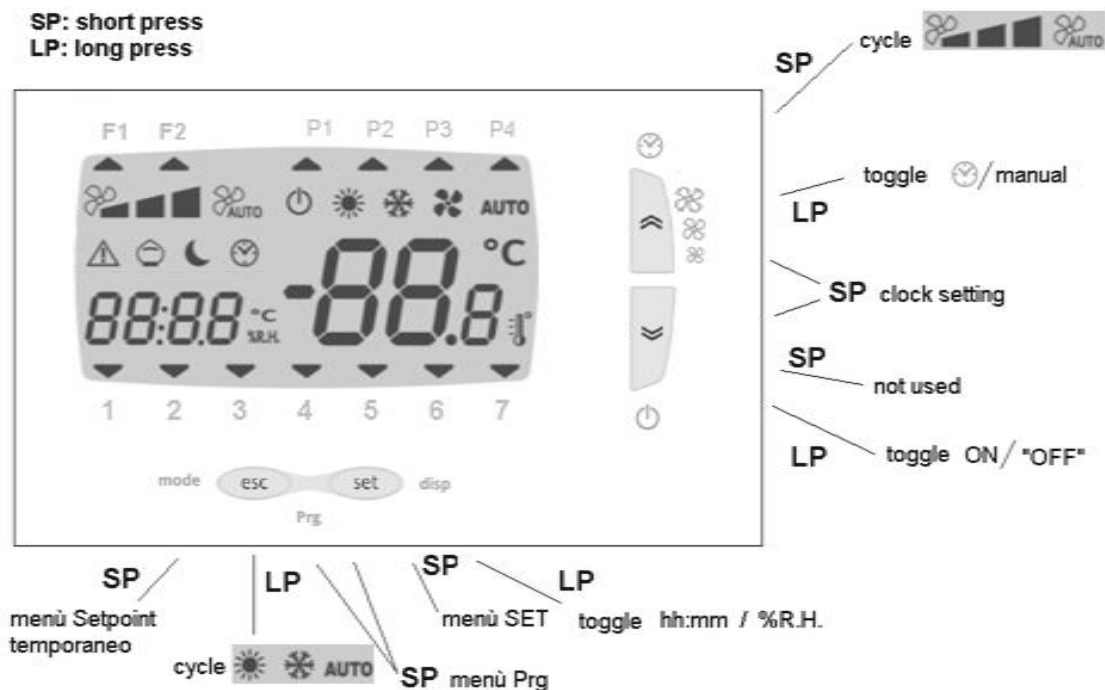
BLINKING: resettable alarm

A17: Freecooling/Freeheating

A19: Clock time viewing

A29-A35: Day of the week

## Keyboard



## Menu Prq List

Press together button "Esc" and "Set"

- Prof: in this section there are the settings for the weekly program
  - ST1: start time of 1<sup>st</sup> range of 1<sup>st</sup> program
  - EN1: end time of 1<sup>st</sup> range of 1<sup>st</sup> program
  - SE1 (summer): set-point of 1<sup>st</sup> range of 1<sup>st</sup> program
  - SE1 (winter): set-point of 1<sup>st</sup> range of 1<sup>st</sup> program
  - ST2: start time of 2<sup>nd</sup> range of 1<sup>st</sup> program
  - EN2: end time of 2<sup>nd</sup> range of 1<sup>st</sup> program
  - SE2 (summer): set-point of 2<sup>nd</sup> range of 1<sup>st</sup> program
  - SE2 (winter): set point of 2<sup>nd</sup> range of 1<sup>st</sup> program
  - ST: start time of 2<sup>nd</sup> program
  - END: end time of 2<sup>nd</sup> program
  - SET (summer): set-point of 2<sup>nd</sup> program
  - SET (winter): set-point of 2<sup>nd</sup> program
- Day: in this section there's the program assignment for each day
  - Mon: Monday program, possible value
    - P1
    - P2
    - P3
    - P4
  - Tue: Tuesday program
  - Wed: Wednesday program
  - Thu: Thursday program
  - Fri: Friday program
  - Sat: Saturday program
  - Sun: Sunday program
- Serv: in this section there is the controller configuration
  - PWD: insert service password (1)

- **Pcfg: plant configuration**
  - 0= 2 pipes system, unique changeover coil
  - 1= 2 pipes system, cooling coil + electric heater
  - 2= 4 pipes system, cooling coil + heating coil
- **Rprop: regulation probe**
  - 0= supply air sensor
  - 1= display sensor

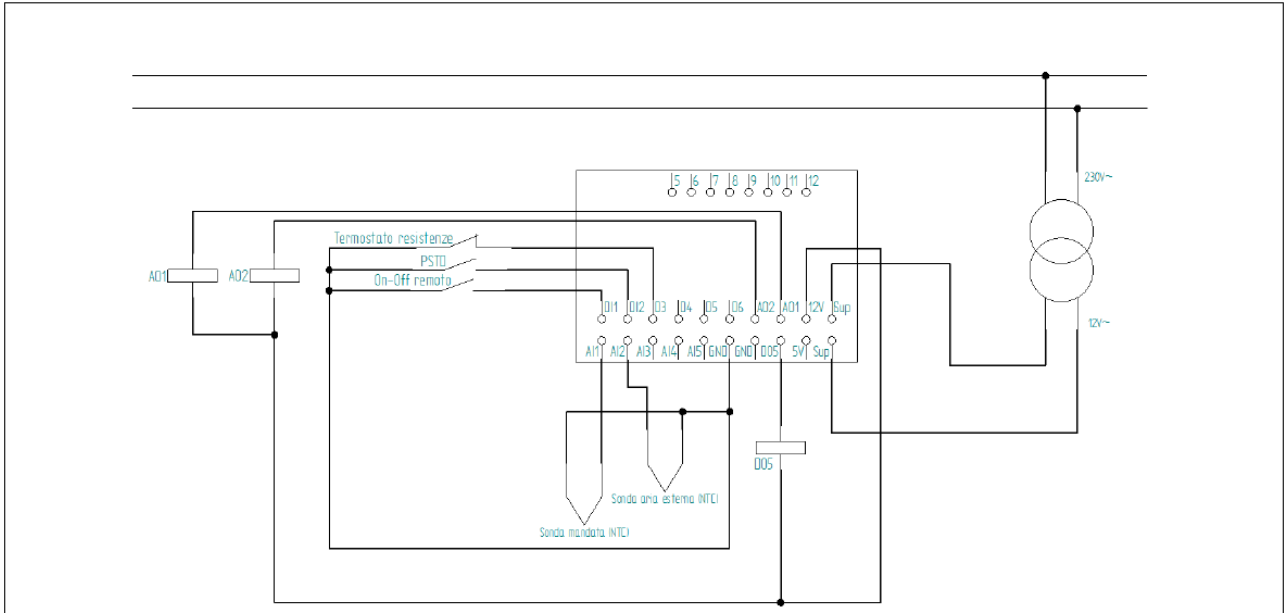
### **Menu Set List**


Press button “Set”

- Manual summer set-point
- Manual winter set-point
- Alarm folder:
  - Er01: Regulation sensor failure; effects:
    - The unit is turned off
    - Automatic reset alarm
  - Er02: External air sensor failure; effects:
    - Free-cooling mode disabled
    - Automatic reset alarm
  - Er03: Display sensor failure; effects:
    - If Rprop=1 the unit is turned off
    - If Rprop=0 alarm not shown
  - Er04: Dirty filter alarm; effect
    - None
  - Er05: Electric heater over-temperature; effects:
    - Electric heater disabled
    - Fan activated

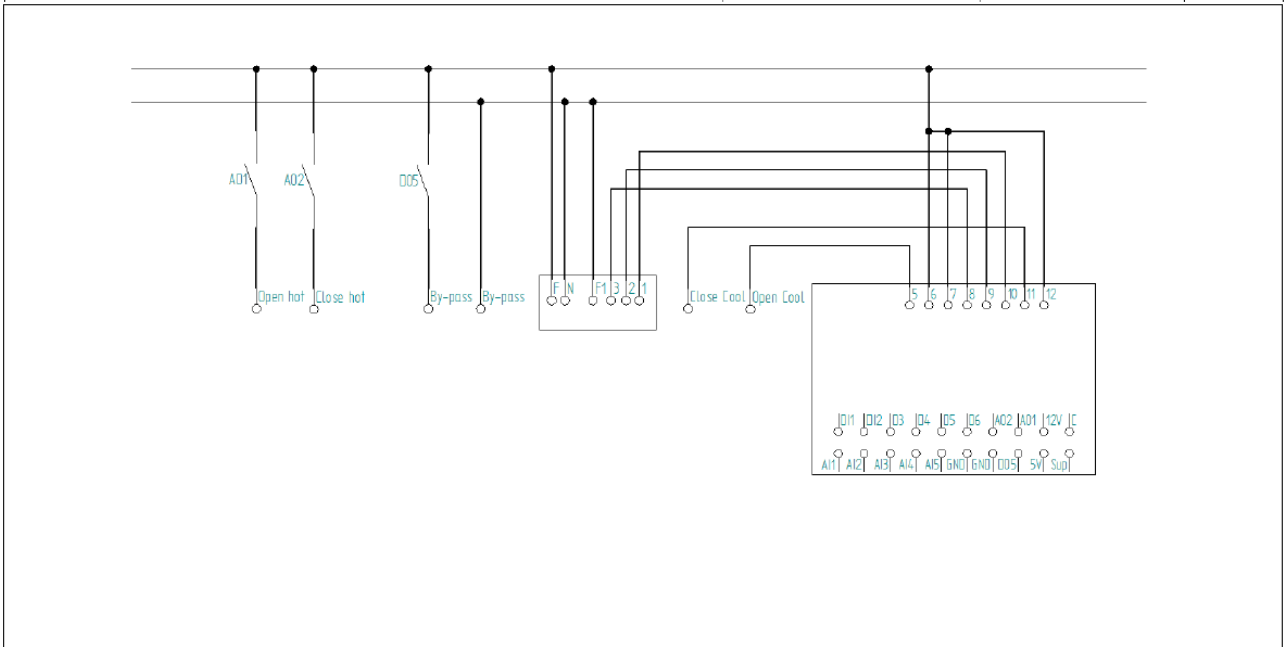
## Wiring diagram

For model RKE 03-30



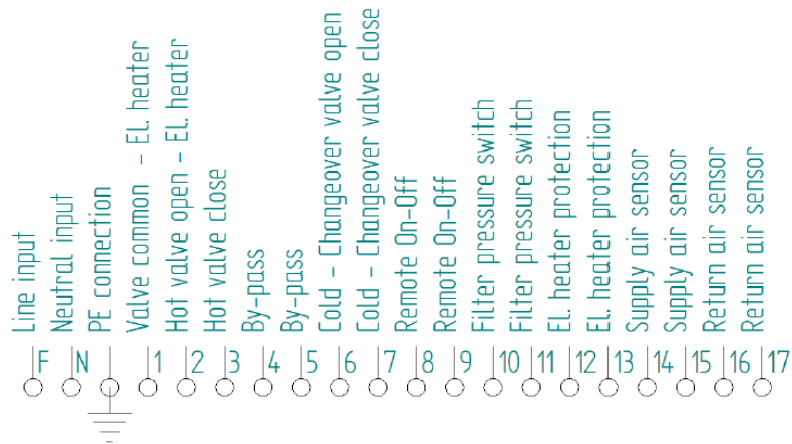
|  |            |   |      |   |                  |
|--|------------|---|------|---|------------------|
| 1  |            | CORRETTO A01-A02 E ASSUNTI RERILIBB. MORSETTI |      | Bisogni L   |                  |
| Revisione  |            | Data  |      | Descrizione modifiche   |                  |
| Disegnato  | Data       | Approvato                                     | Data | Tolleranze generali di lavorazione non quotate<br>UNI-ISO 2768m | Scala<br>2:1     |
| Bisogni L  | 10/05/2011 |   |      | Denominazione   | UNI A3           |
|  |            |   |      | QUADRO CONTROLLO LCE PER RKE                                    |                  |
|  |            |   |      | Codice disegno<br><b>DTV0000238</b>                             | Rev.<br><b>1</b> |

## Low voltage connections



|  |            |   |      |   |                  |
|--|------------|---|------|---|------------------|
| 1  |            | CORRETTO A01-A02 E ASSUNTI RERILIBB. MORSETTI |      | Bisogni L   |                  |
| Revisione  |            | Data  |      | Descrizione modifiche   |                  |
| Disegnato  | Data       | Approvato                                     | Data | Tolleranze generali di lavorazione non quotate<br>UNI-ISO 2768m | Scala<br>2:1     |
| Bisogni L  | 10/05/2011 |   |      | Denominazione   | UNI A3           |
|  |            |   |      | QUADRO CONTROLLO LCE PER RKE                                    |                  |
|  |            |   |      | Codice disegno<br><b>DTV0000238</b>                             | Rev.<br><b>1</b> |

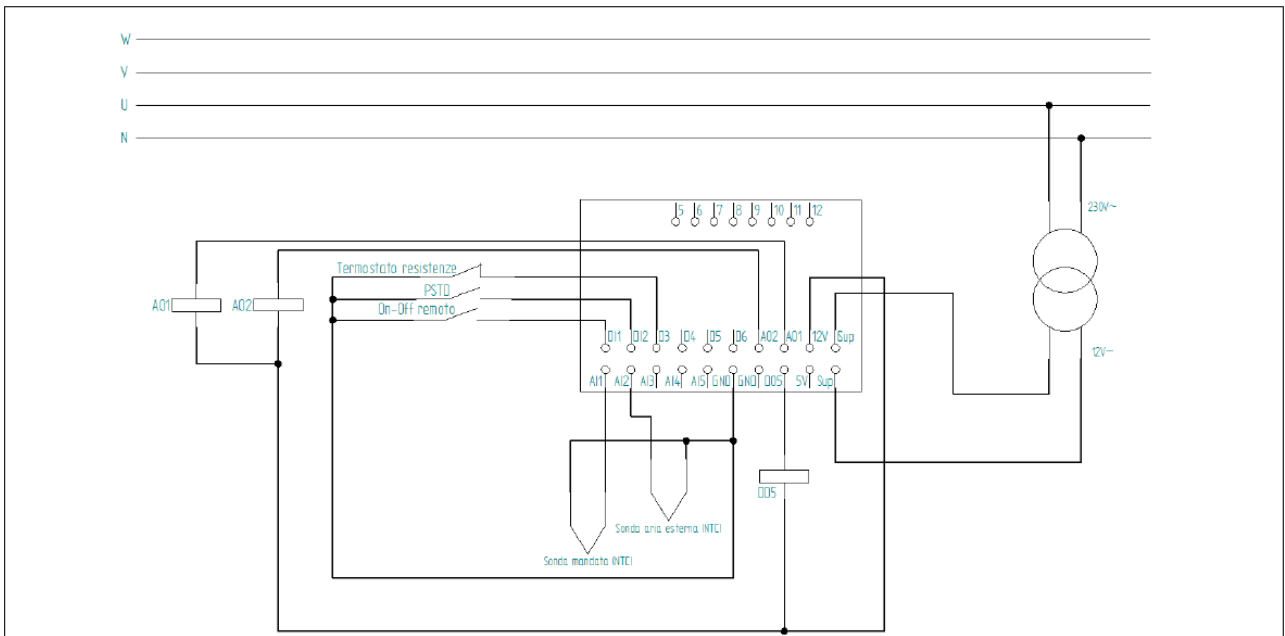
## 230V~ Connections



*Clamp summary*

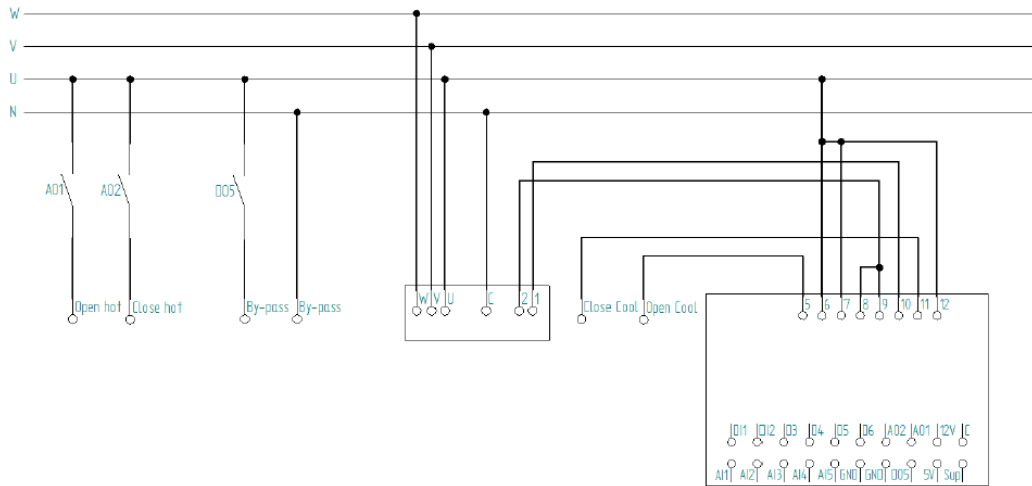
|  |  |            |  |  |  |              |  |
|--|--|------------|--|--|--|--------------|--|
| Revisione  |  | Data       |  | Descrizione modifiche                          |  | Disegnato    |  |
| 1  |  | 07/07/2011 |  | CORRETTIO A01-A02 E AGGIUNTA RERLUSSO MORSETTI |  | Bisognini L. |  |
| Disegnato  |  | Data       |  | Approvato                                      |  | Data         |  |
| Bisognini L.                                     |  | 10/05/2011 |  |  |  |              |  |
| Tolleranze generali di lavorazione non qualitate |  |            |  | UNI-ISO 2768m                                  |  | Scala        |  |
|  |  |            |  |  |  | 2:1          |  |
| Denominazione                                    |  |            |  |  |  |              |  |
| QUADRO CONTROLLO LCE PER RKE                     |  |            |  |  |  |              |  |
| Codice disegno                                   |  |            |  |  |  | Rev.         |  |
| DTV0000238                                       |  |            |  |  |  | 1            |  |

For model RKE 40



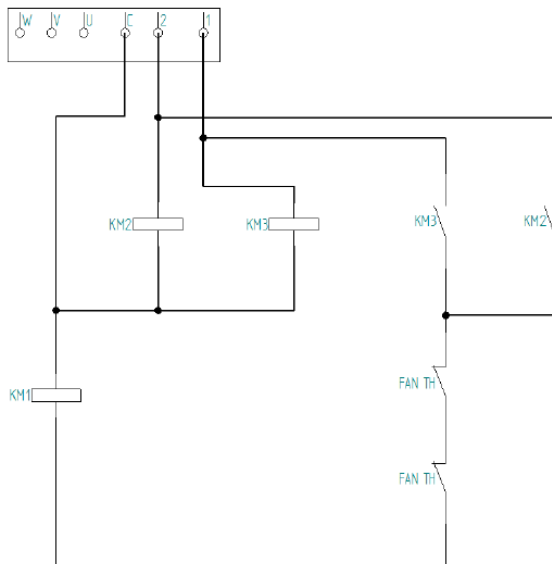
*Low voltage connections* U C 2 1

|  |  |            |  |                       |  |              |  |
|--|--|------------|--|-----------------------|--|--------------|--|
| Revisione  |  | Data       |  | Descrizione modifiche |  | Disegnato    |  |
| 1  |  | 12/04/2012 |  |                       |  | Bisognini L. |  |
| Tolleranze generali di lavorazione non qualitate |  |            |  | UNI-ISO 2768m         |  | Scala        |  |
|  |  |            |  |                       |  | 1:1          |  |
| Denominazione                                    |  |            |  |                       |  |              |  |
| QUADRO CONTROLLO LCE PER RKE 40                  |  |            |  |                       |  |              |  |
| Codice disegno                                   |  |            |  |                       |  | Rev.         |  |
| DTV0000251                                       |  |            |  |                       |  | 0            |  |



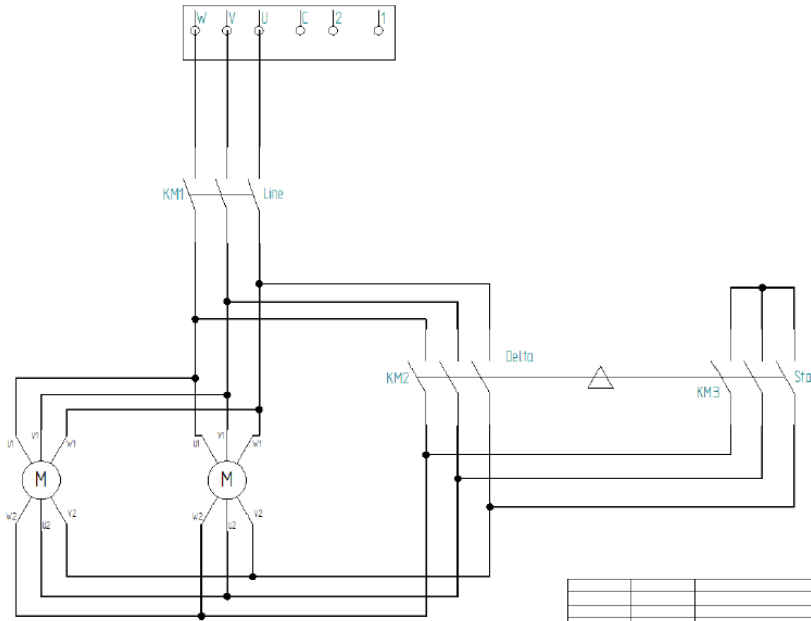
## 230 - 400V~ Connections

|   |            |                       |      |  |       |           |
|---|------------|-----------------------|------|--|-------|-----------|
| Revisione   | Data       | Descrizione modifiche |      | Disegnato  |       |           |
| Disegnato   | Data       | Approvato             | Data | Tolleranze generali di lavorazione non qualitate | Scala | UNI A3    |
| Bisogni L.  | 12/04/2012 |                       |      | UNI-ISO 2768m                                    | 1:1   | ☐         |
|  |            |                       |      | Denominazione<br>QUADRO CONTROLLO LCE PER RKE 40 |       |           |
|   |            |                       |      | Codice disegno<br>DTV0000251                     |       | Rev.<br>0 |



## Fan low power connection

|  |            |                       |      |  |       |           |
|--|------------|-----------------------|------|--|-------|-----------|
| Revisione  | Data       | Descrizione modifiche |      | Disegnato  |       |           |
| Disegnato  | Data       | Approvato             | Data | Tolleranze generali di lavorazione non qualitate | Scala | UNI A3    |
| Bisogni L.   | 12/04/2012 |                       |      | UNI-ISO 2768m                                    | 1:1   | ☐         |
|  |            |                       |      | Denominazione<br>QUADRO CONTROLLO LCE PER RKE 40 |       |           |
|  |            |                       |      | Codice disegno<br>DTV0000251                     |       | Rev.<br>0 |



*Fan power connection*

|                                 |            |                       |      |  |
|---------------------------------|------------|-----------------------|------|--|
| Revisione                       | Data       | Descrizione modifiche |      | Disegnato  |
| Disegnato                       | Data       | Approvato             | Data | Tolleranze generali di lavorazione non qualitate UNI-ISO 2768m |
| Disegnato                       | 12/04/2012 |                       |      | Scala 1:1  |
| Denominazione                   |            |                       |      |  |
| QUADRO CONTROLLO LCE PER RKE 40 |            |                       |      |  |
| Codice disegno                  |            |                       |      | Rev.   |
| DTV0000251                      |            |                       |      | 0  |

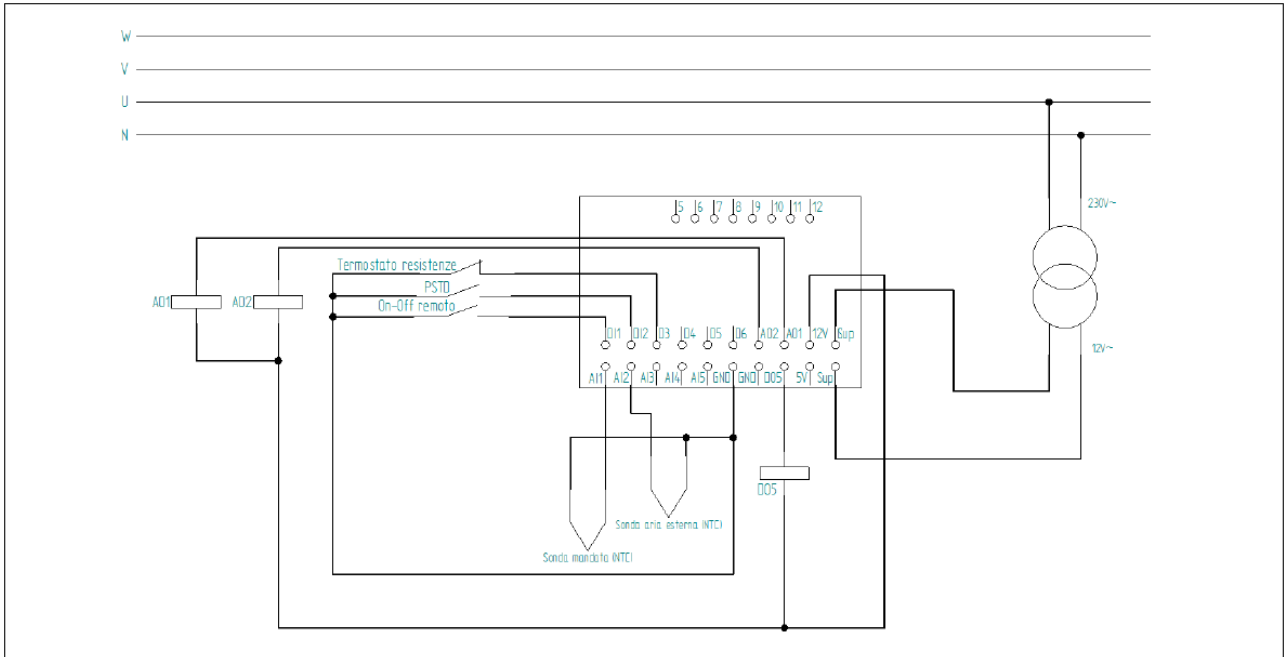
- |  |                                |                                |                                |                                |                                |                                |                                |                                |                                |                                |                                |                                |                                |                                 |                                 |                                 |                                 |                                 |                                 |                                 |                                 |
|--|--------------------------------|--------------------------------|--------------------------------|--------------------------------|--------------------------------|--------------------------------|--------------------------------|--------------------------------|--------------------------------|--------------------------------|--------------------------------|--------------------------------|--------------------------------|---------------------------------|---------------------------------|---------------------------------|---------------------------------|---------------------------------|---------------------------------|---------------------------------|---------------------------------|
| <p>L1 Line input</p> <p>L2 Line input</p> <p>L3 Line input</p> <p>Neutral input</p> <p>PE connection</p> <p>Valve common - EL heater</p> <p>Hot valve open - EL heater</p> <p>Hot valve close</p> <p>By-pass</p> <p>By-pass</p> <p>Cold - Changeover valve open</p> <p>Cold - Changeover valve close</p> <p>Remote On-Off</p> <p>Remote On-Off</p> <p>Filter pressure switch</p> <p>Filter pressure switch</p> <p>EL heater protection</p> <p>EL heater protection</p> <p>Supply air sensor</p> <p>Supply air sensor</p> <p>Return air sensor</p> <p>Return air sensor</p> | <p>U</p> <input type="radio"/> | <p>V</p> <input type="radio"/> | <p>W</p> <input type="radio"/> | <p>N</p> <input type="radio"/> | <p>1</p> <input type="radio"/> | <p>2</p> <input type="radio"/> | <p>3</p> <input type="radio"/> | <p>4</p> <input type="radio"/> | <p>5</p> <input type="radio"/> | <p>6</p> <input type="radio"/> | <p>7</p> <input type="radio"/> | <p>8</p> <input type="radio"/> | <p>9</p> <input type="radio"/> | <p>10</p> <input type="radio"/> | <p>11</p> <input type="radio"/> | <p>12</p> <input type="radio"/> | <p>13</p> <input type="radio"/> | <p>14</p> <input type="radio"/> | <p>15</p> <input type="radio"/> | <p>16</p> <input type="radio"/> | <p>17</p> <input type="radio"/> |
|--|--------------------------------|--------------------------------|--------------------------------|--------------------------------|--------------------------------|--------------------------------|--------------------------------|--------------------------------|--------------------------------|--------------------------------|--------------------------------|--------------------------------|--------------------------------|---------------------------------|---------------------------------|---------------------------------|---------------------------------|---------------------------------|---------------------------------|---------------------------------|---------------------------------|

*Clamp summary*

|                                 |            |                       |      |  |
|---------------------------------|------------|-----------------------|------|--|
| Revisione                       | Data       | Descrizione modifiche |      | Disegnato  |
| Disegnato                       | Data       | Approvato             | Data | Tolleranze generali di lavorazione non qualitate UNI-ISO 2768m |
| Disegnato                       | 12/04/2012 |                       |      | Scala 1:1  |
| Denominazione                   |            |                       |      |  |
| QUADRO CONTROLLO LCE PER RKE 40 |            |                       |      |  |
| Codice disegno                  |            |                       |      | Rev.   |
| DTV0000251                      |            |                       |      | 0  |

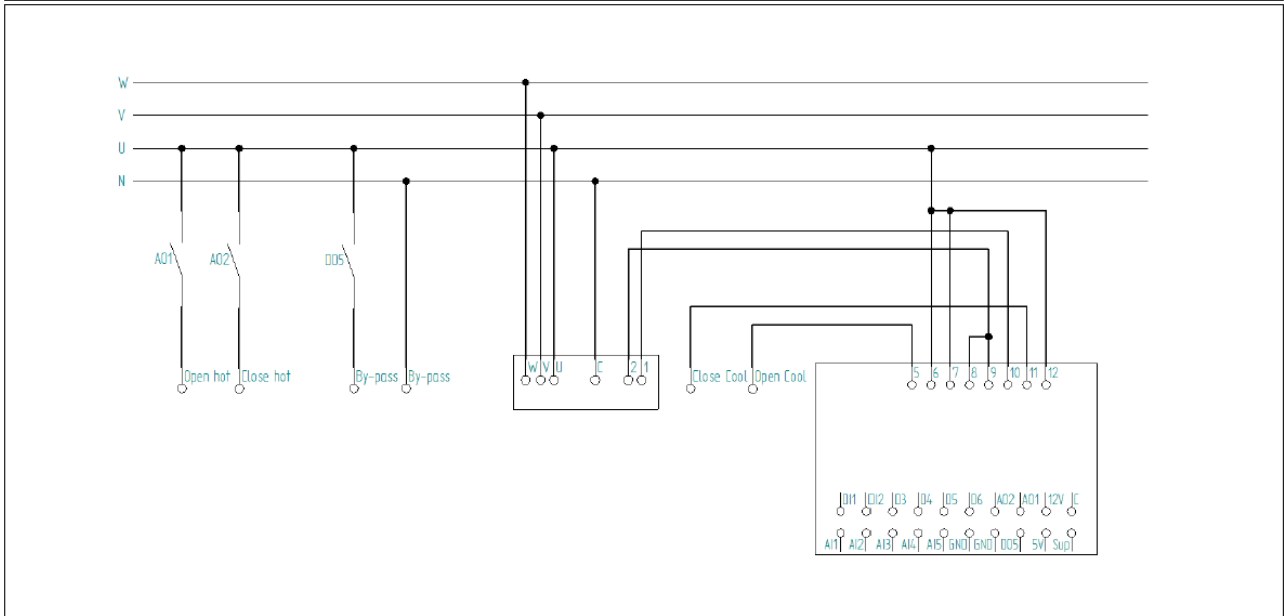


For model RKE 50-60



| Revisione                       | Data       | Descrizione modifiche |      | Disegnato                                      |
|---------------------------------|------------|-----------------------|------|--|
| Disegnato                       | Data       | Approvato             | Data | Tolleranze generali di lavorazione non quotate |
| Risognini L.                    | 27/10/2011 |                       |      | UNI-50 276.6m                                  |
|                                 |            |                       |      | Scala  |
|                                 |            |                       |      | 1:1  |
|                                 |            |                       |      | UNI A3   |
|                                 |            |                       |      | ☑  |
| Denominazione                   |            |                       |      |  |
| SCHEMA QUADRO LCE PER RKE 50-60 |            |                       |      |  |
| Codice disegno                  |            |                       |      | Rev.   |
| DTV0000250                      |            |                       |      | 0  |

## Low voltage connections



| Revisione                       | Data       | Descrizione modifiche |      | Disegnato                                      |
|---------------------------------|------------|-----------------------|------|--|
| Disegnato                       | Data       | Approvato             | Data | Tolleranze generali di lavorazione non quotate |
| Risognini L.                    | 27/10/2011 |                       |      | UNI-50 276.6m                                  |
|                                 |            |                       |      | Scala  |
|                                 |            |                       |      | 1:1  |
|                                 |            |                       |      | UNI A3   |
|                                 |            |                       |      | ☑  |
| Denominazione                   |            |                       |      |  |
| SCHEMA QUADRO LCE PER RKE 50-60 |            |                       |      |  |
| Codice disegno                  |            |                       |      | Rev.   |
| DTV0000250                      |            |                       |      | 0  |

## 230 - 400V~ Connections



*Clamp summary*

| Revisione                       | Data       | Descrizione modifica |      | Disegnato                                      |
|---------------------------------|------------|----------------------|------|--|
| Disegnato                       | Data       | Approvato            | Data | Tolleranze generali di lavorazione non quotate |
| Bisognini L.                    | 27/10/2011 |                      |      | UNI-50 276-0m                                  |
| Denominazione                   |            |                      |      | Scala  |
| SCHEMA QUADRO LCE PER RKE 50-60 |            |                      |      | 11   |
| Codice disegno                  |            |                      |      | UNI 43   |
| DTV0000250                      |            |                      |      | 0  |