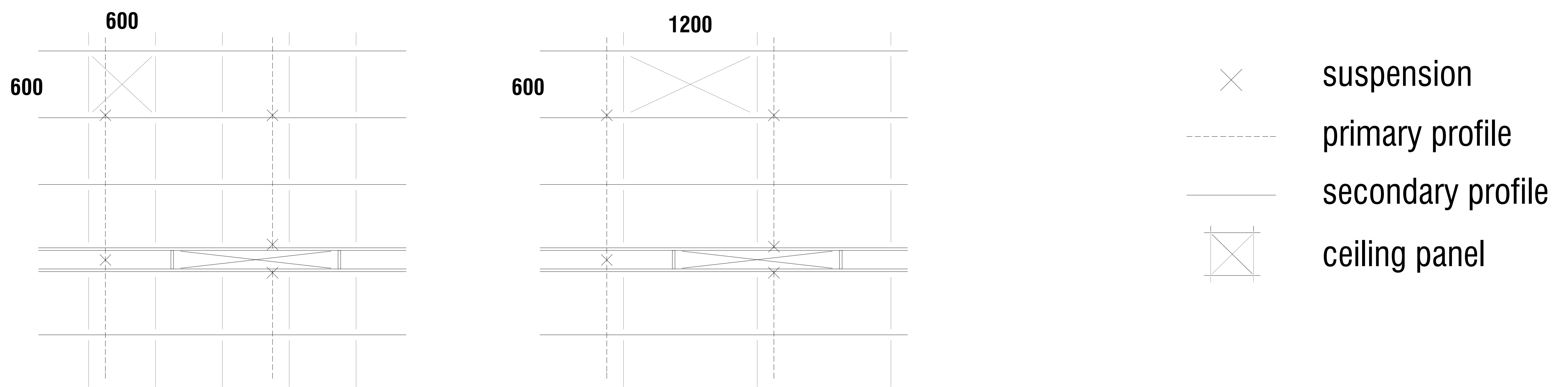


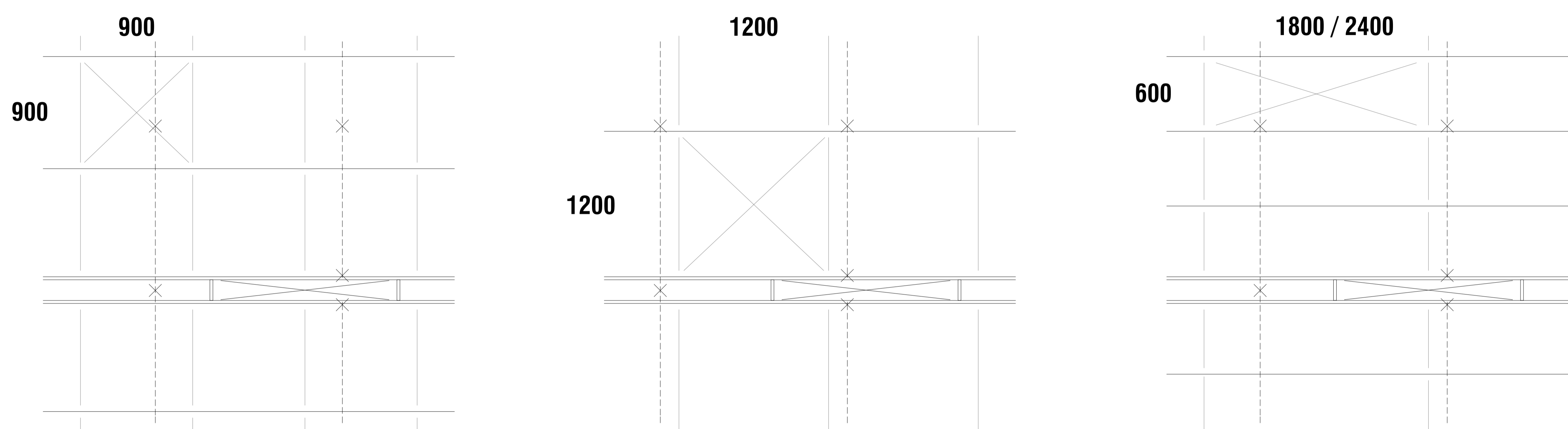
Cross-Lock system concealed demountable

INSTALLATION MANUAL

Cross-Lock standard

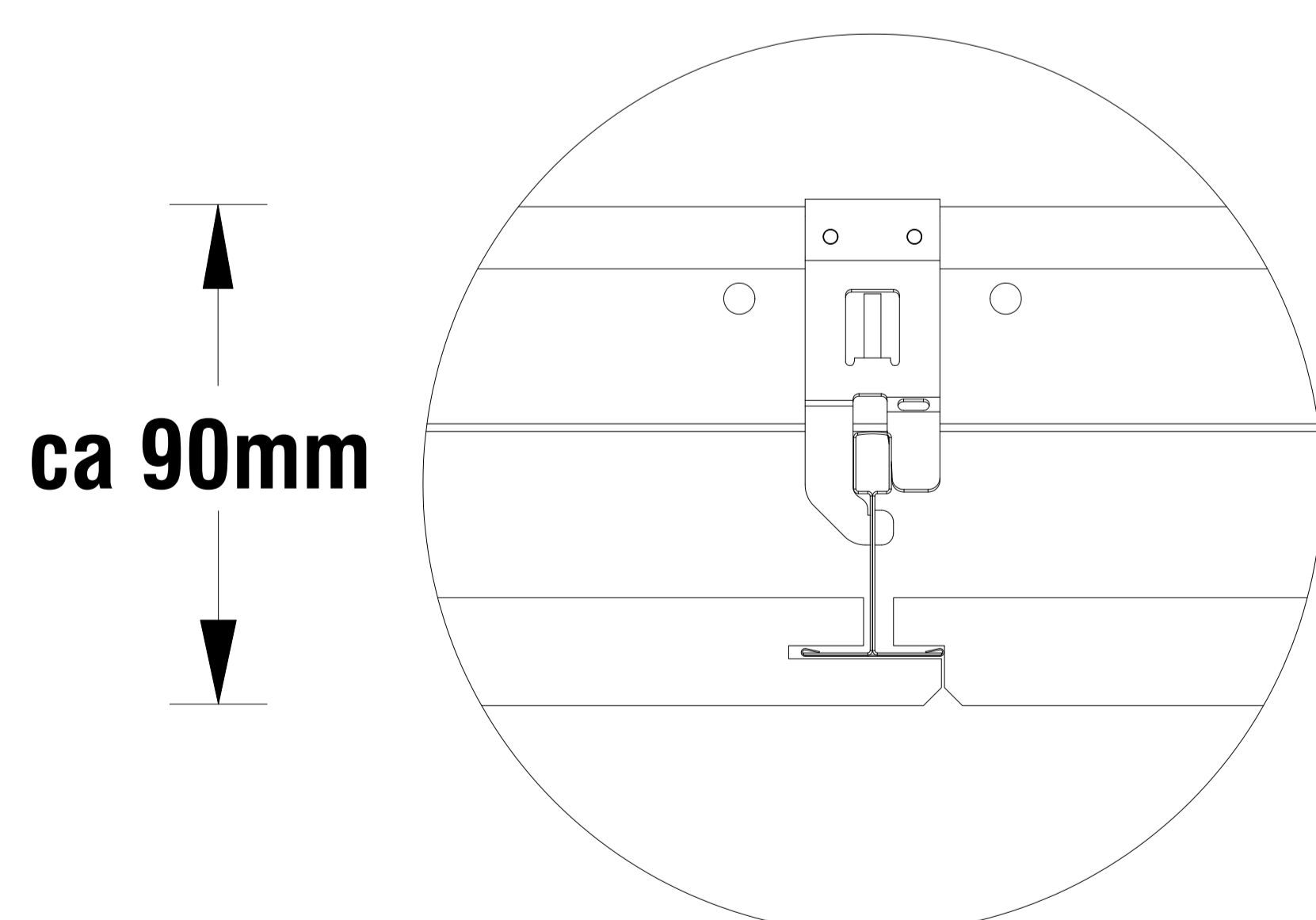


Cross-Lock XL

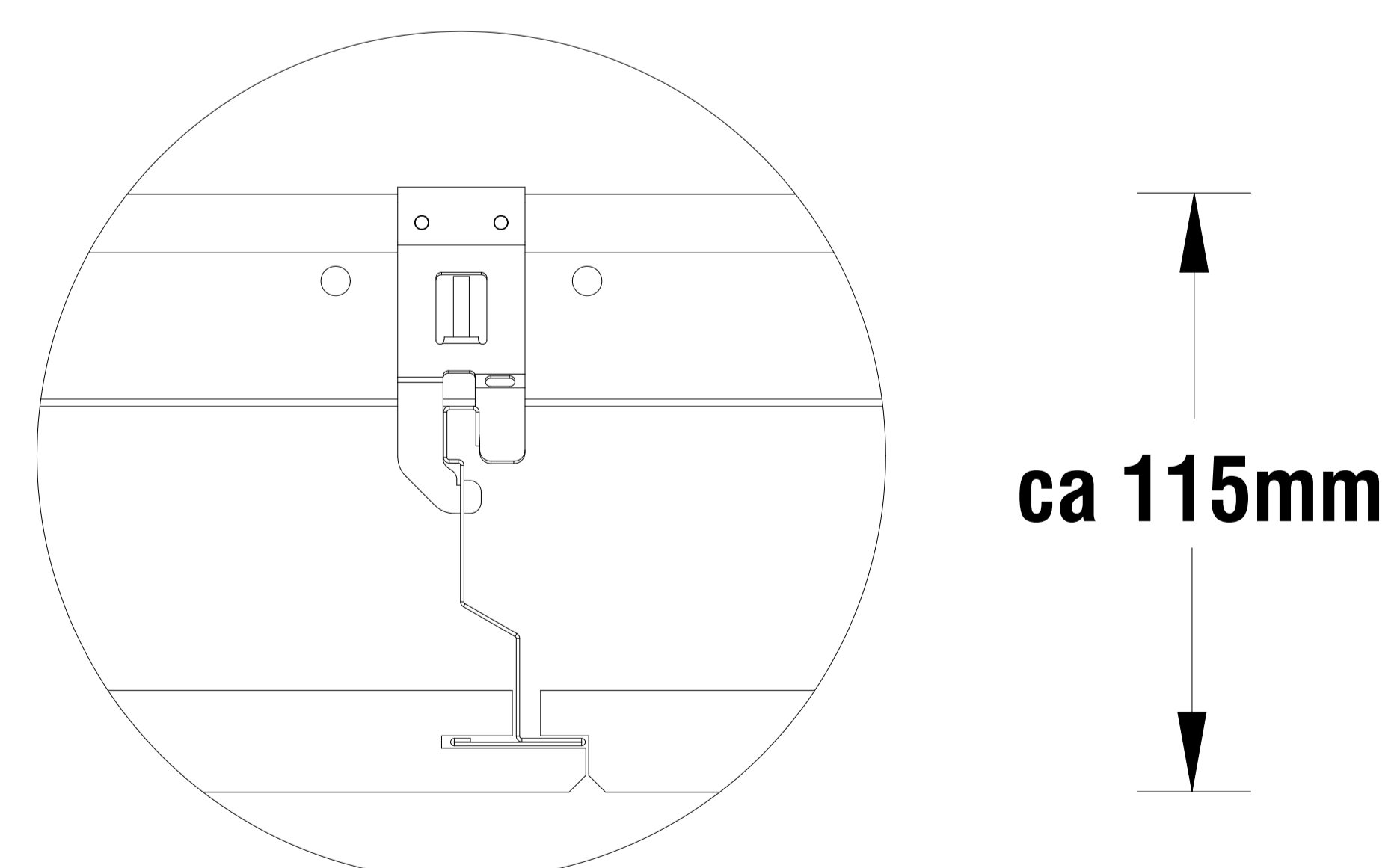


Remark:

- Ask for advice in case of other panel dimensions



Cross-Lock standard



Cross-Lock XL

V3, 03 / 2013

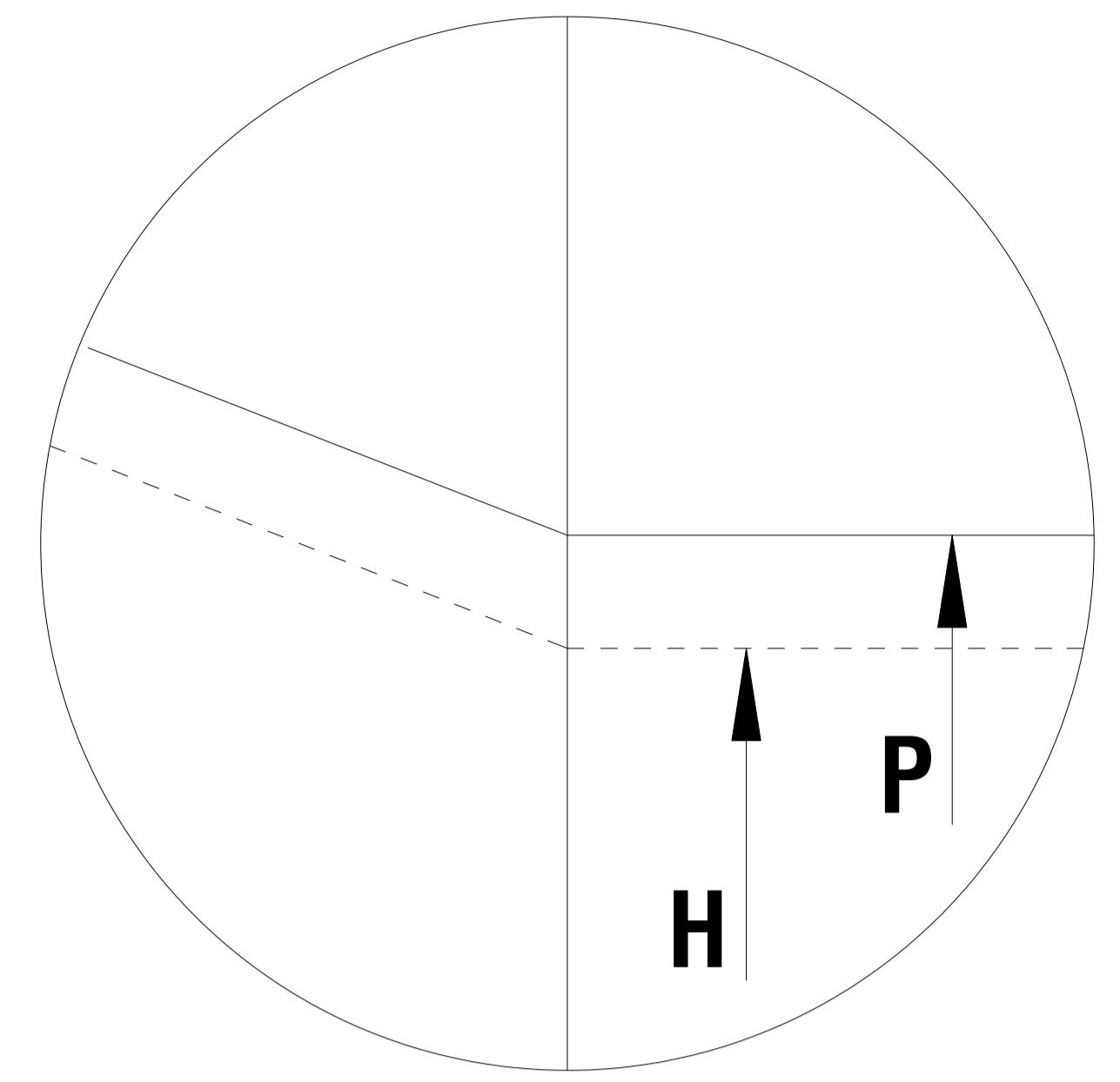
Cross-Lock system concealed demountable

INSTALLATION MANUAL

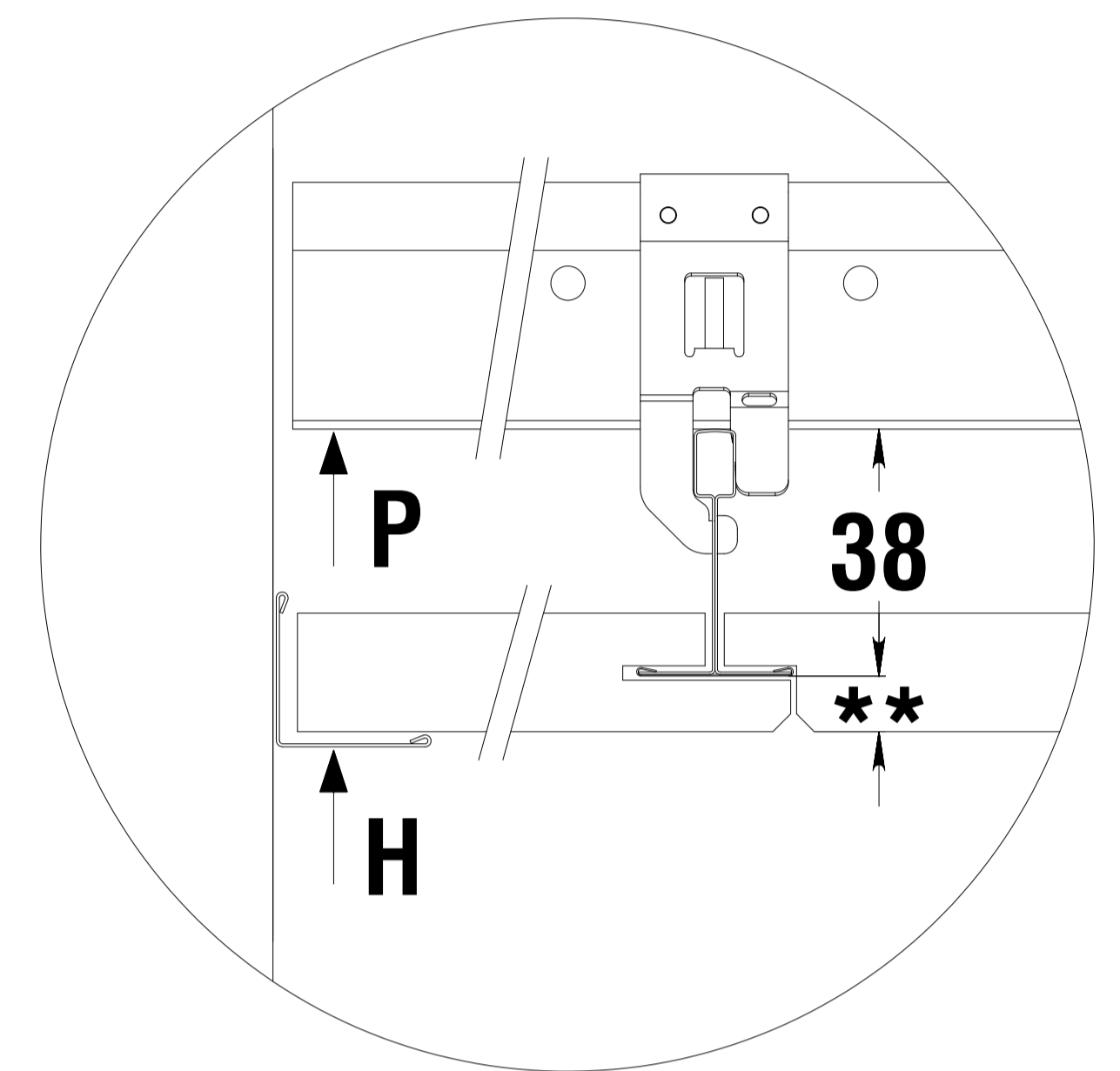
1. Indicate the planned ceiling height and related height of the primary profiles**.

** Height is panel brand / type related

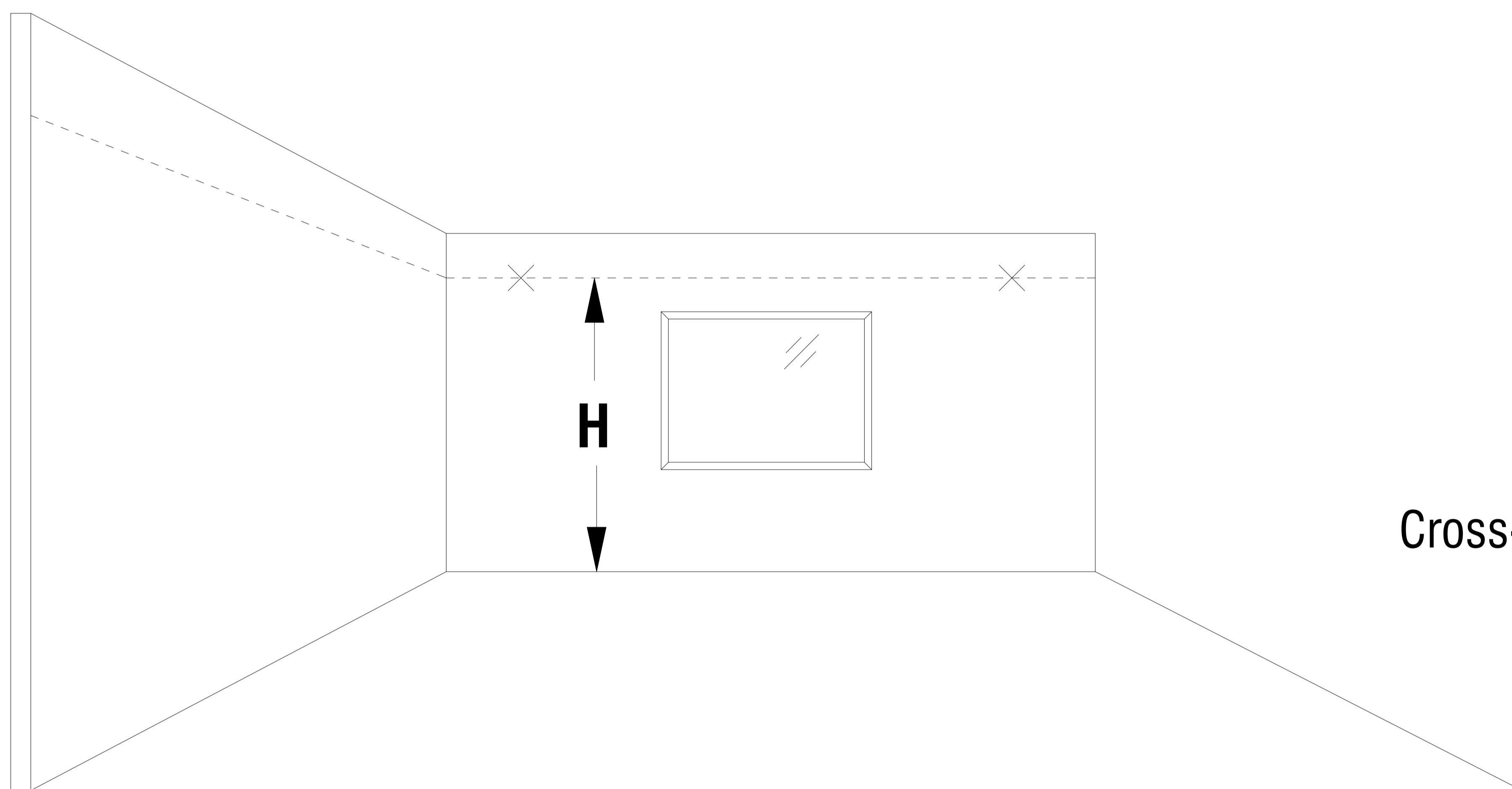
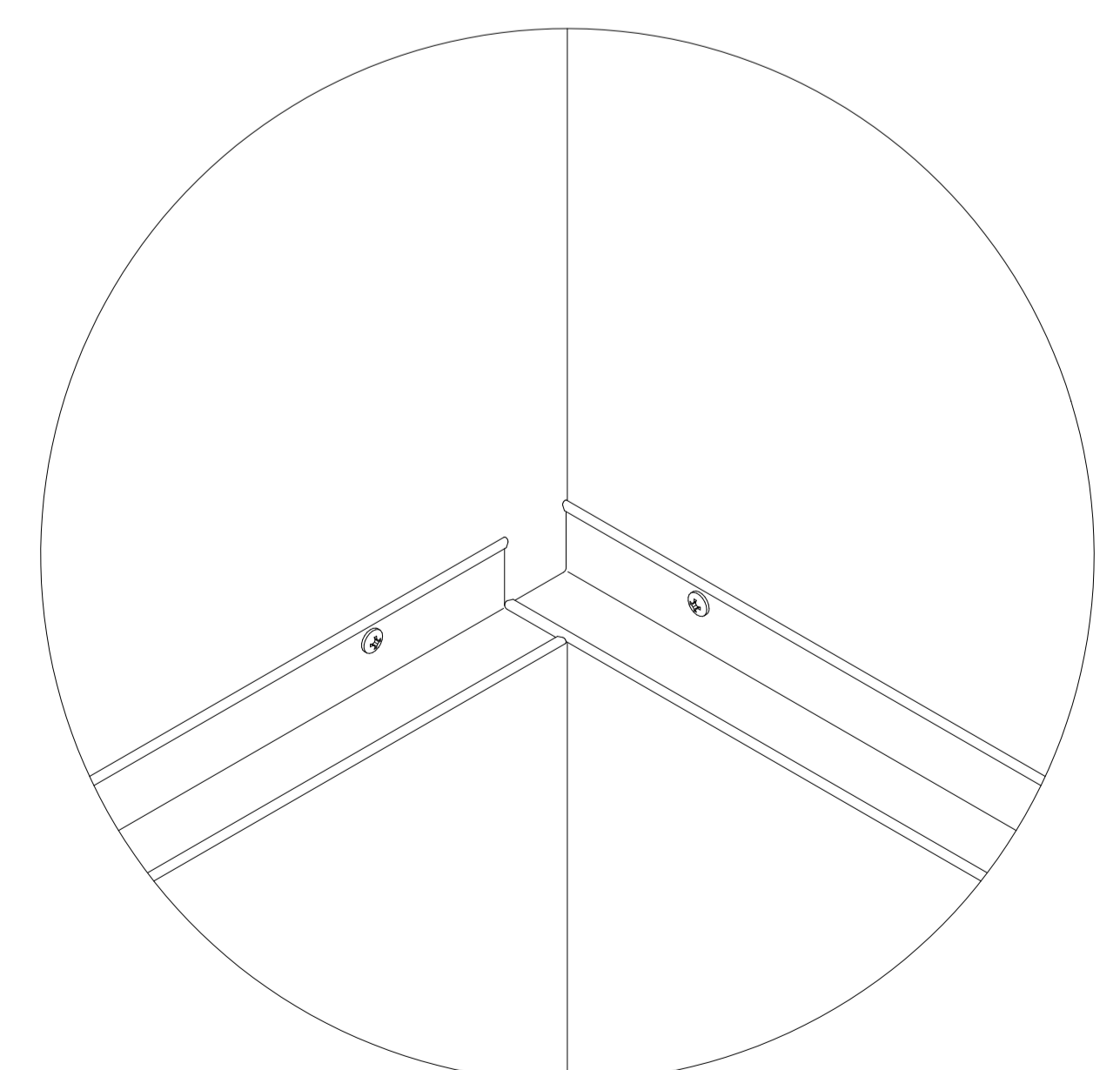
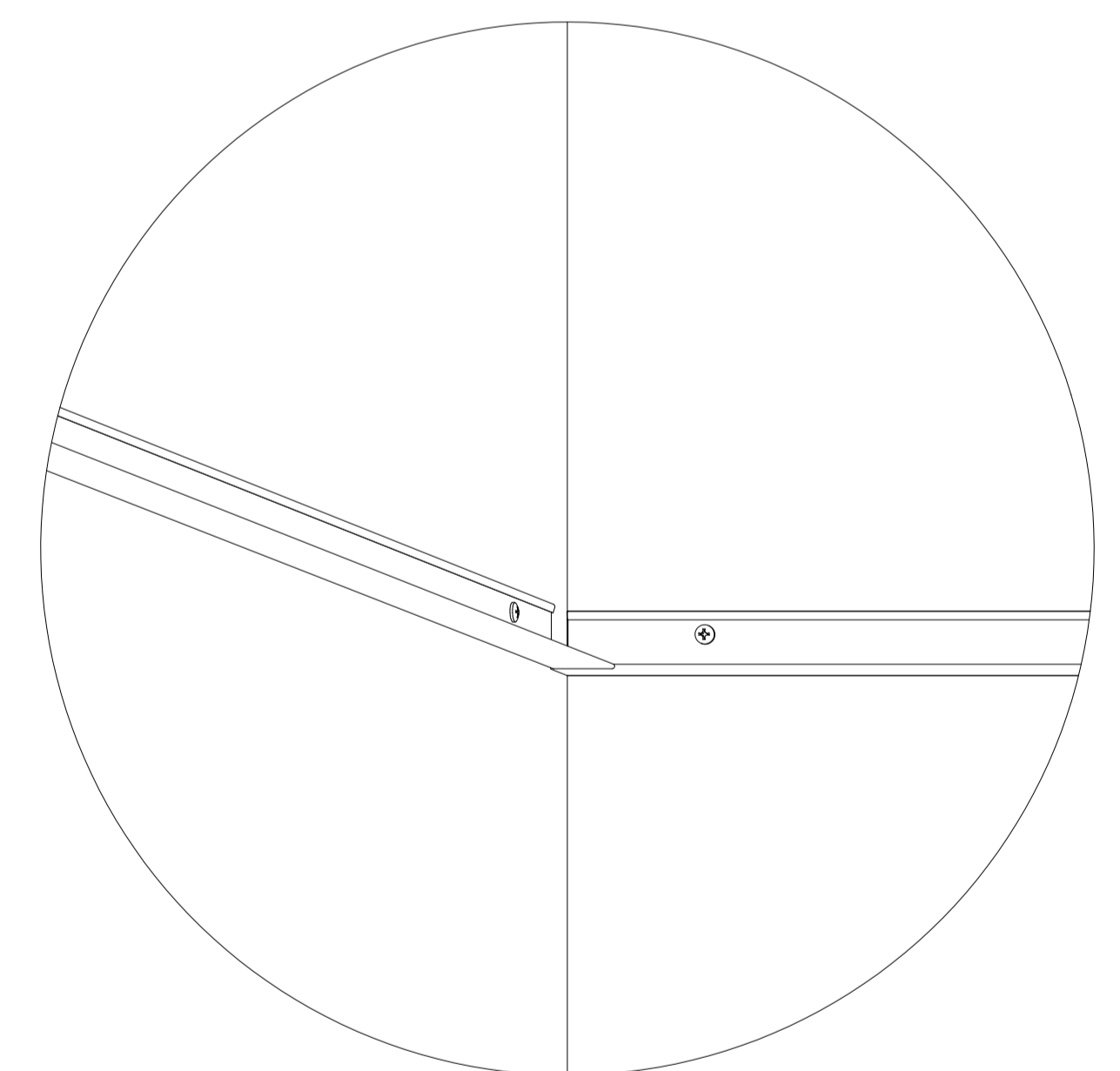
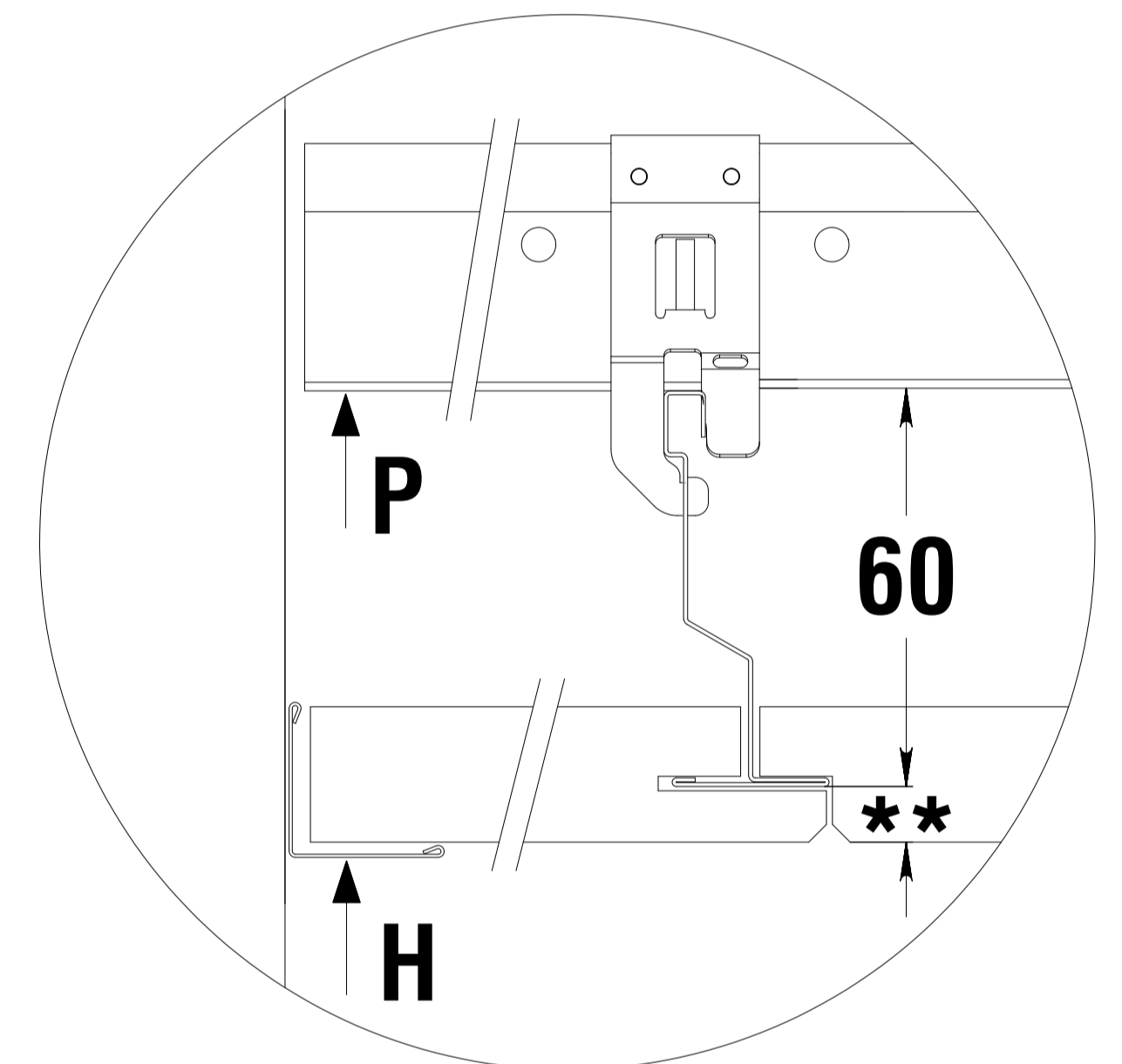
2. Mount the edge profiles.



Cross-Lock std



Cross-Lock XL

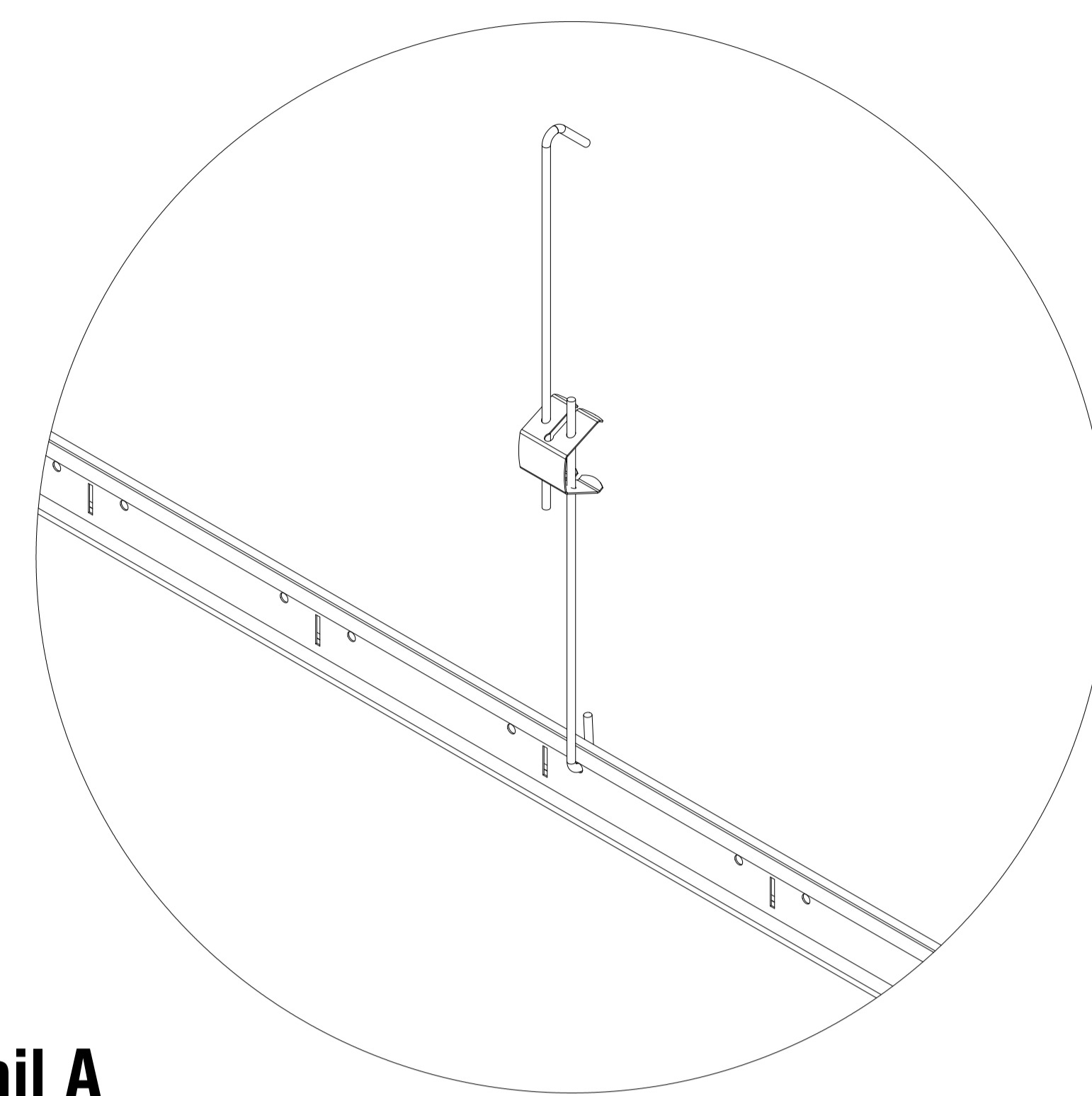


V3, 03 / 2013

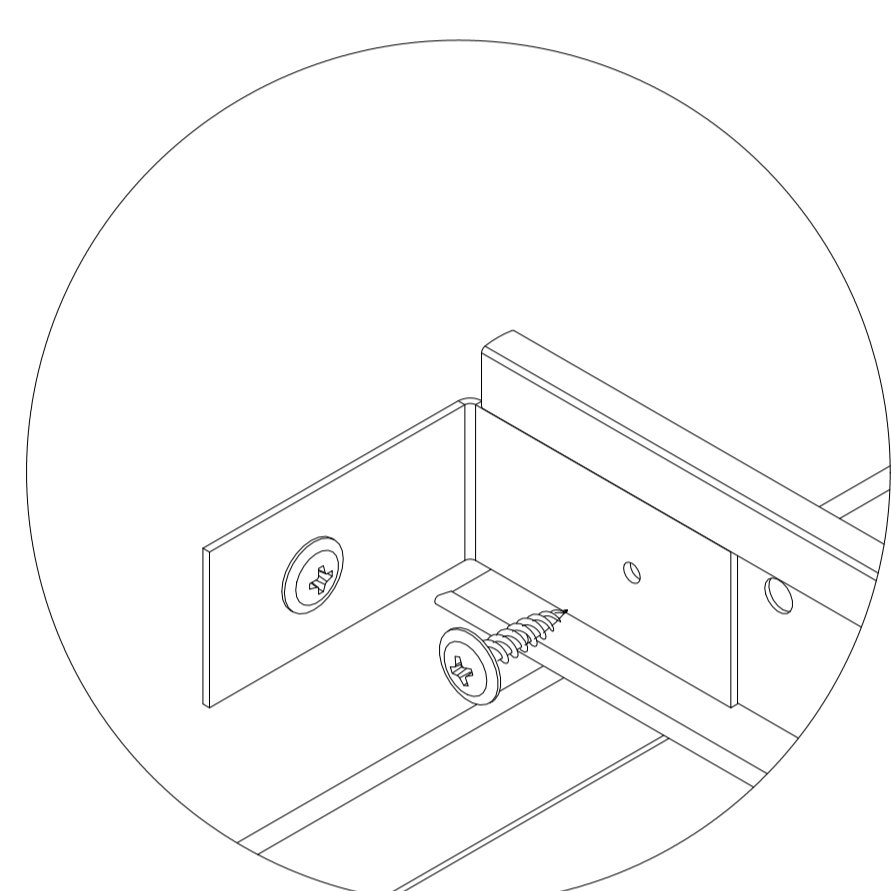
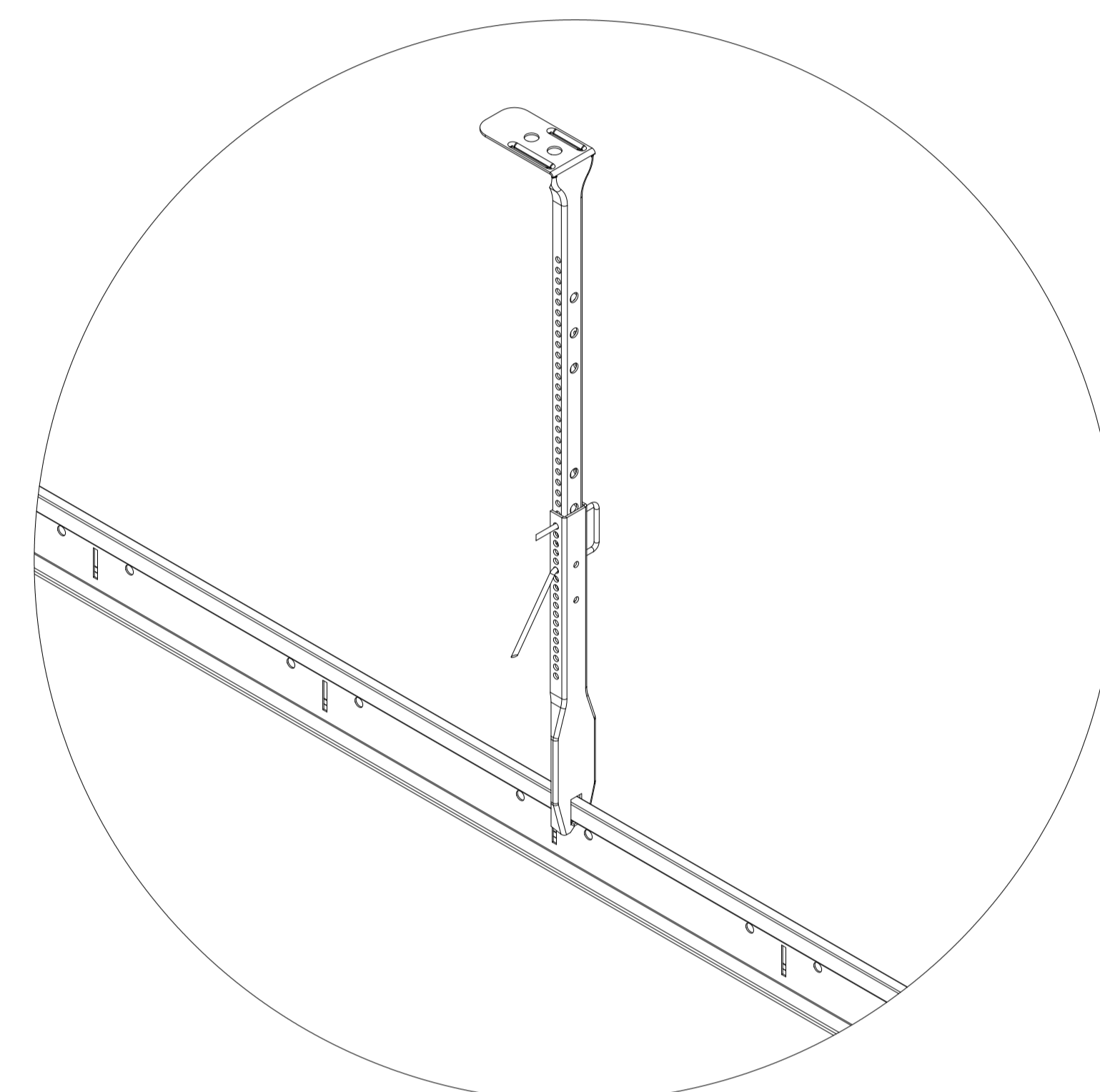
Cross-Lock system concealed demountable

INSTALLATION MANUAL

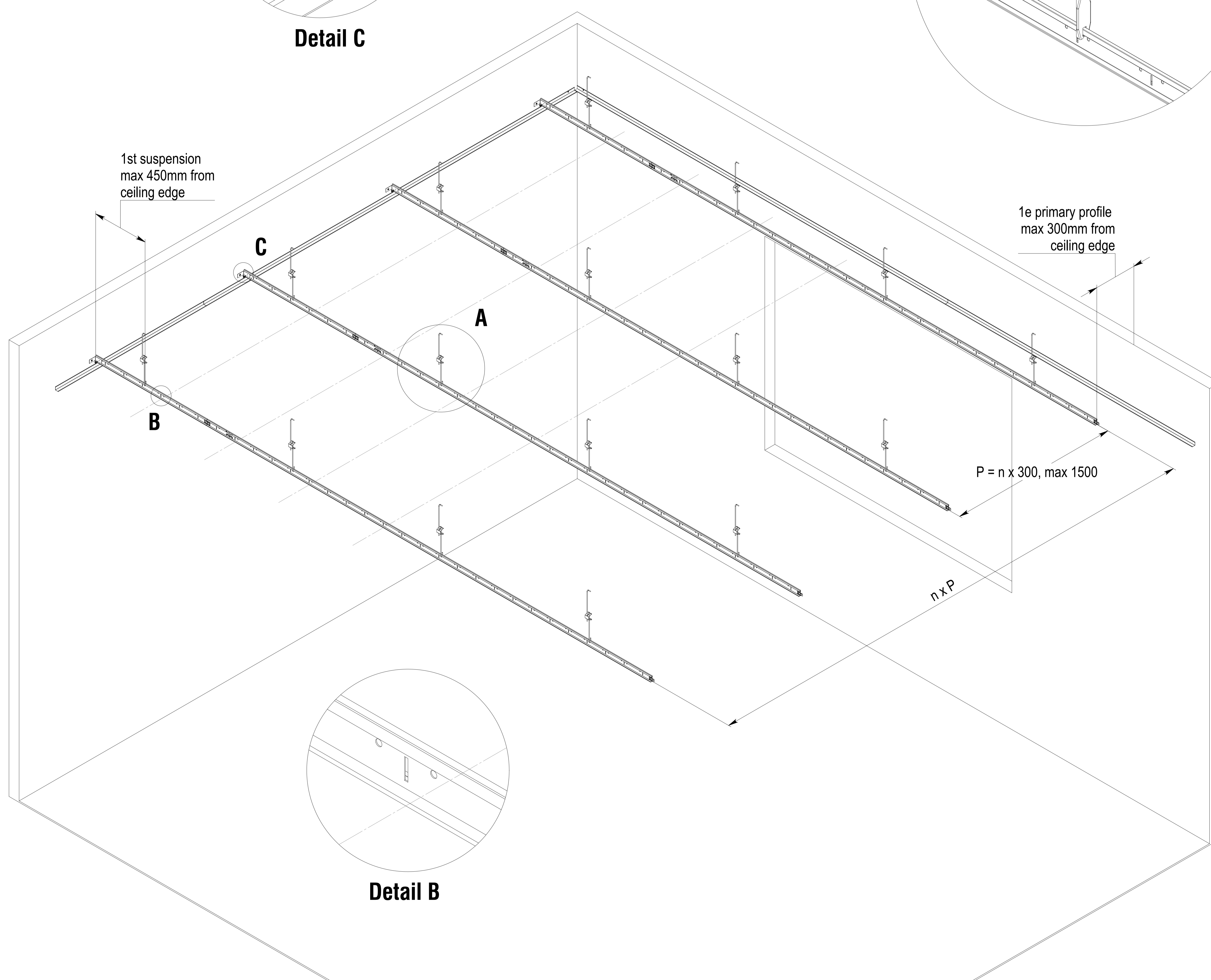
1. Determine the position of the suspensions. Suspension distances and distances between secondary profiles are related to panel lay-out, dimensions and weight. See our technical literature. In case of non standard situations ask for advice.
2. Mount suspension points and suspenders. Install primary beams in the correct height. The perforations needed for Cross-Lock bracket fixation have to be inline (detail B).
3. For fixation of the primary beam position and stability of the system primary beams have to be mounted to the wall using corner brackets (detail C).



Detail A



Detail C



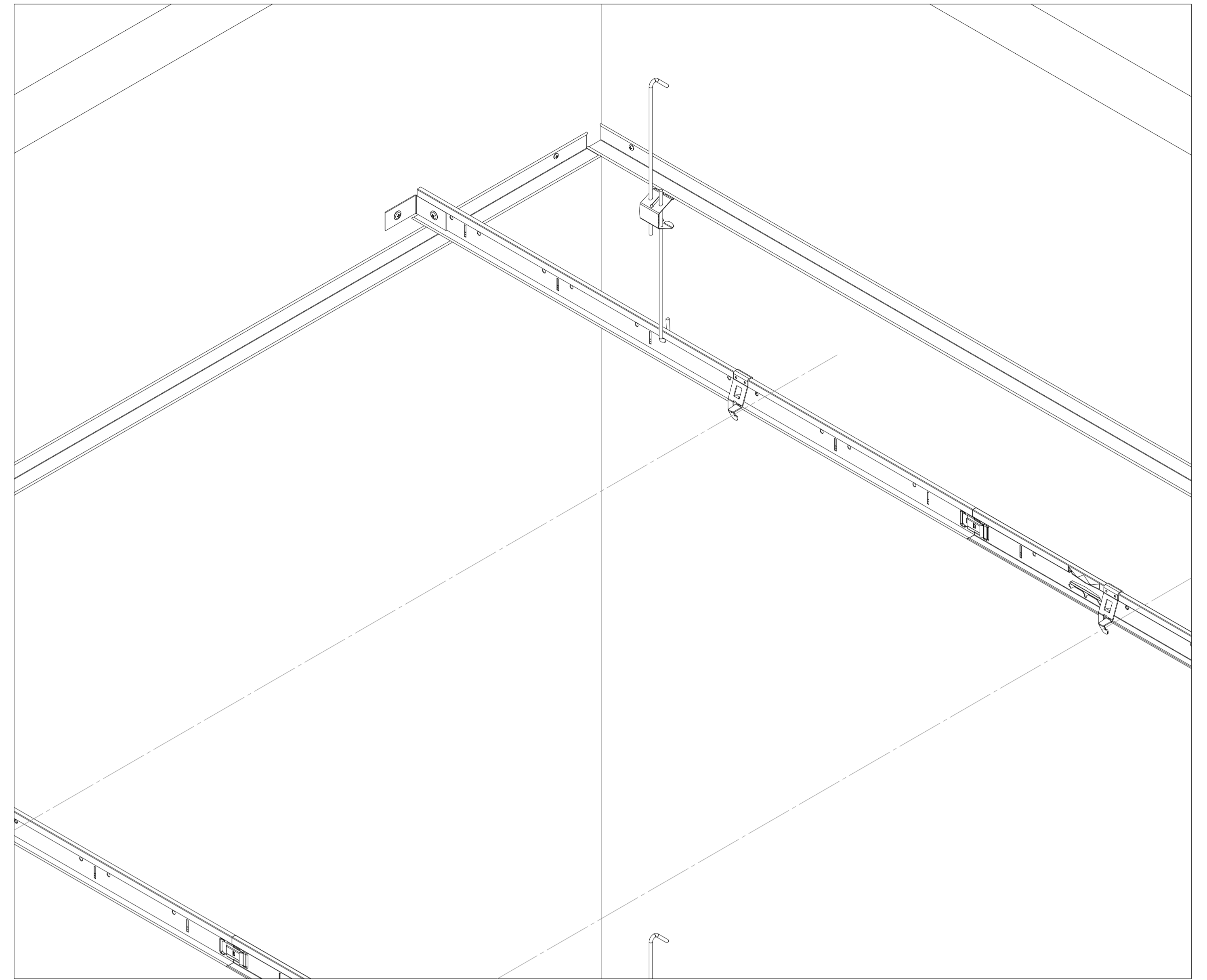
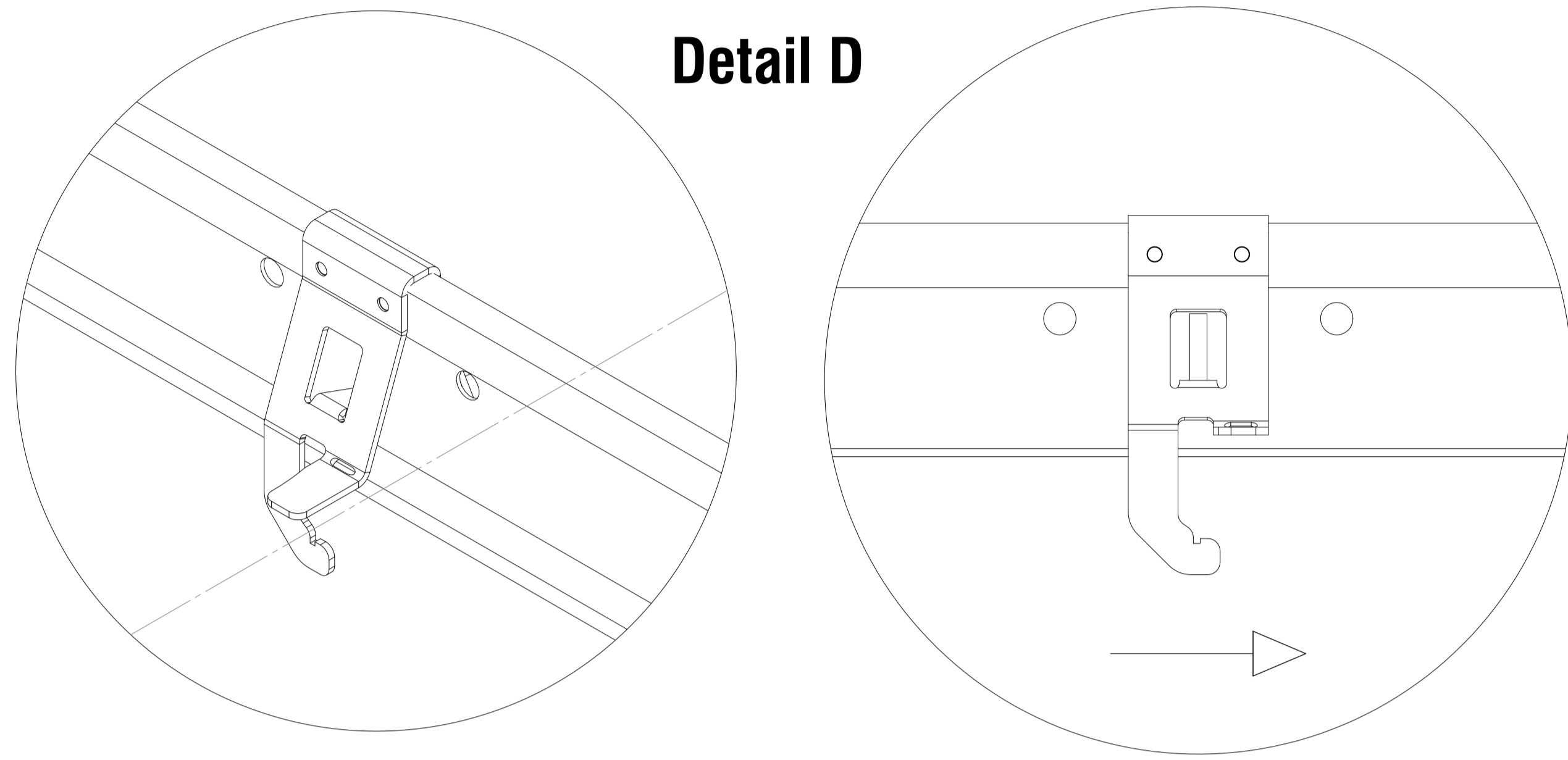
Detail B

V3, 03 / 2013

Cross-Lock system concealed demountable

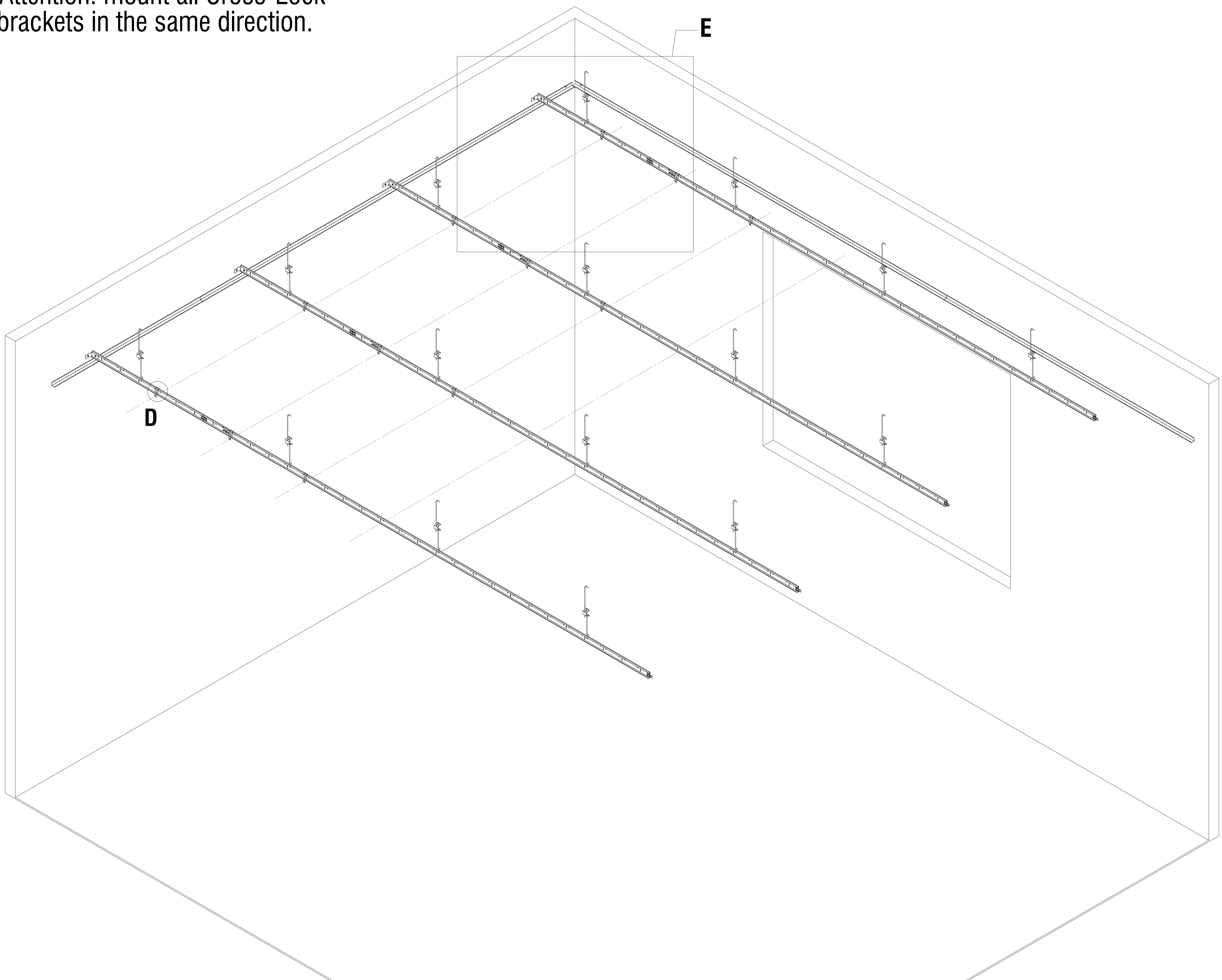
INSTALLATION MANUAL

Determine the position of the Cross-Lock brackets used for mounting the secondary beams. Mount the brackets and fix them with bracket pin into the slots. Take care all brackets are mounted in the same direction.



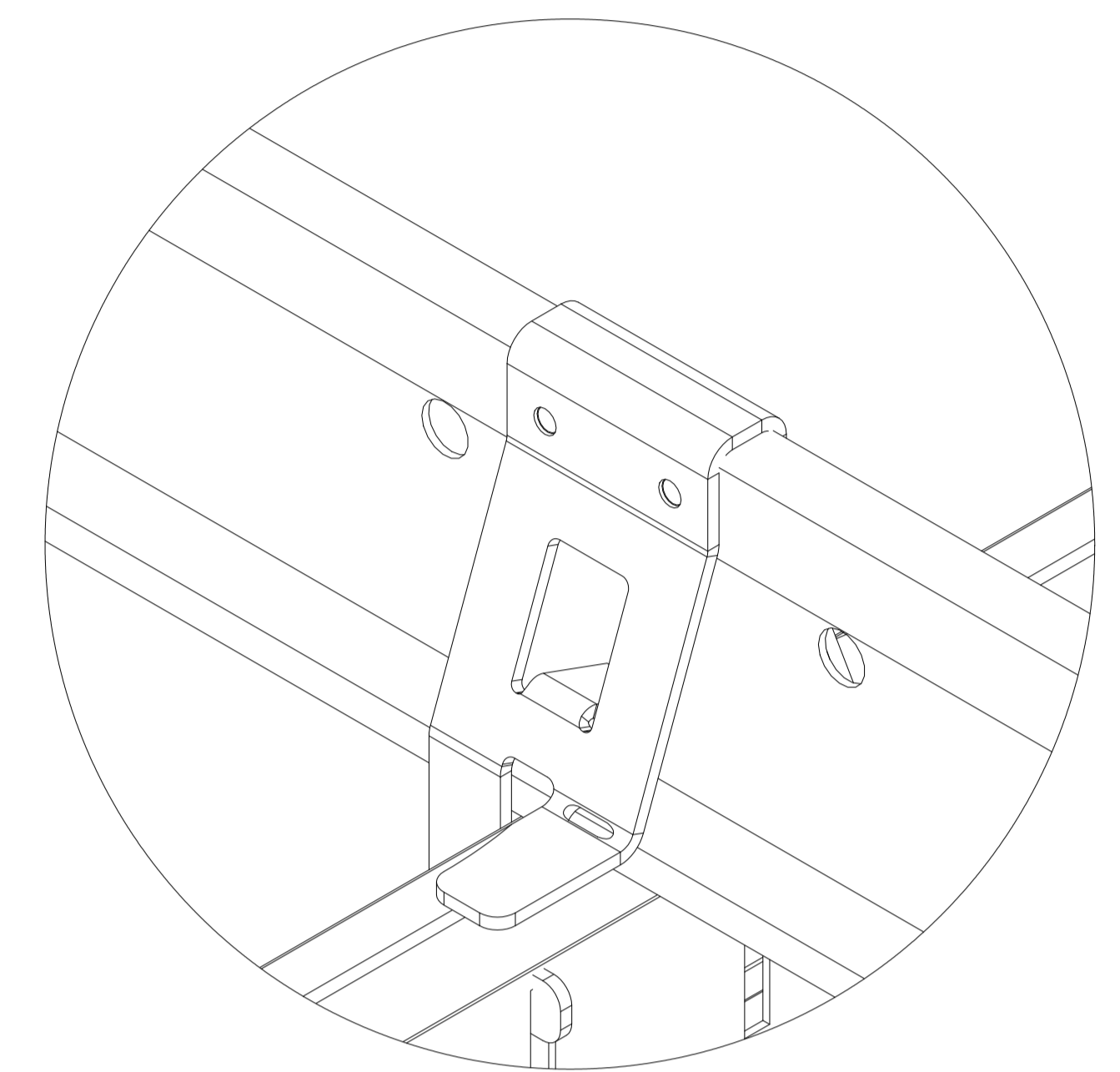
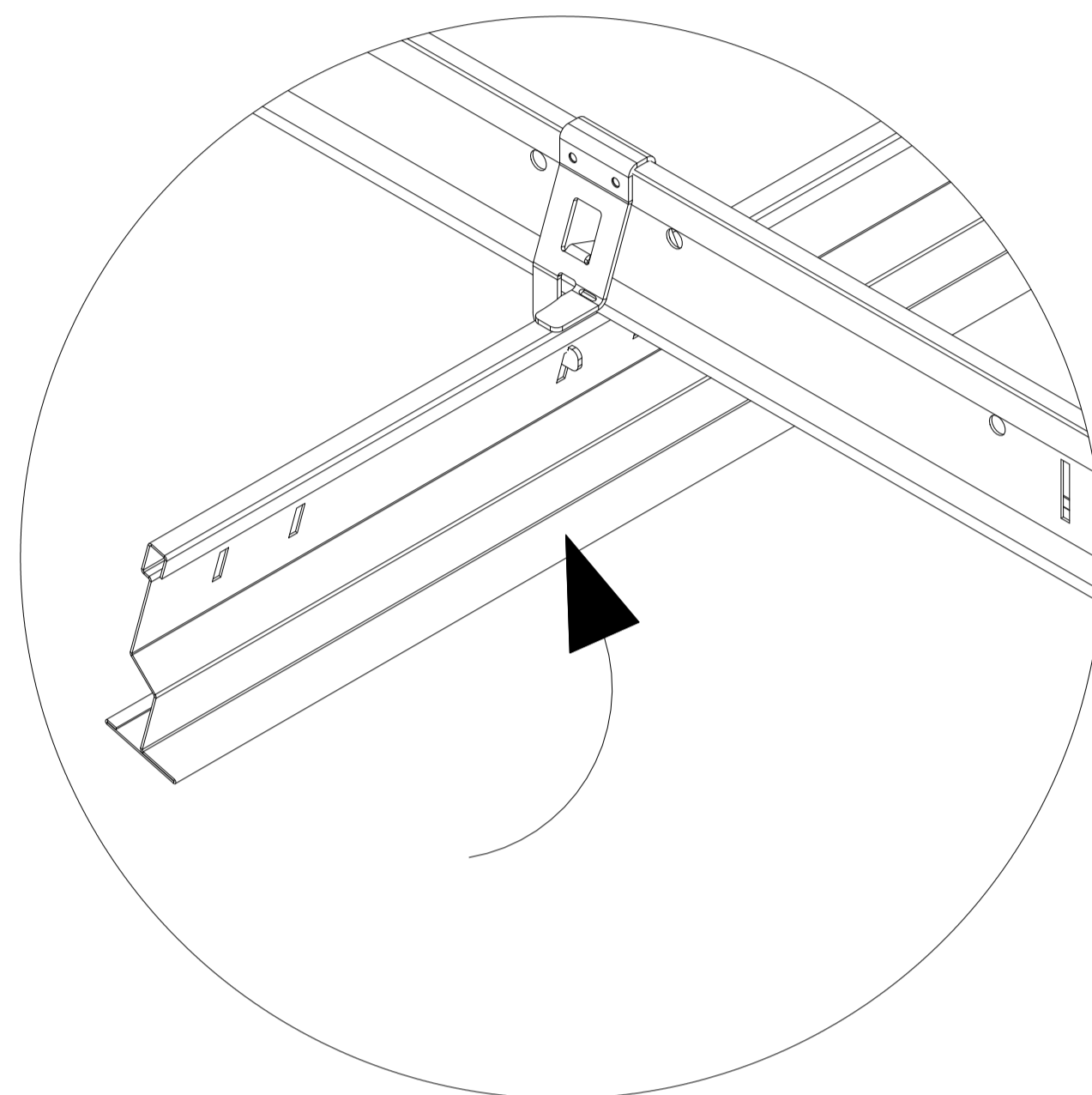
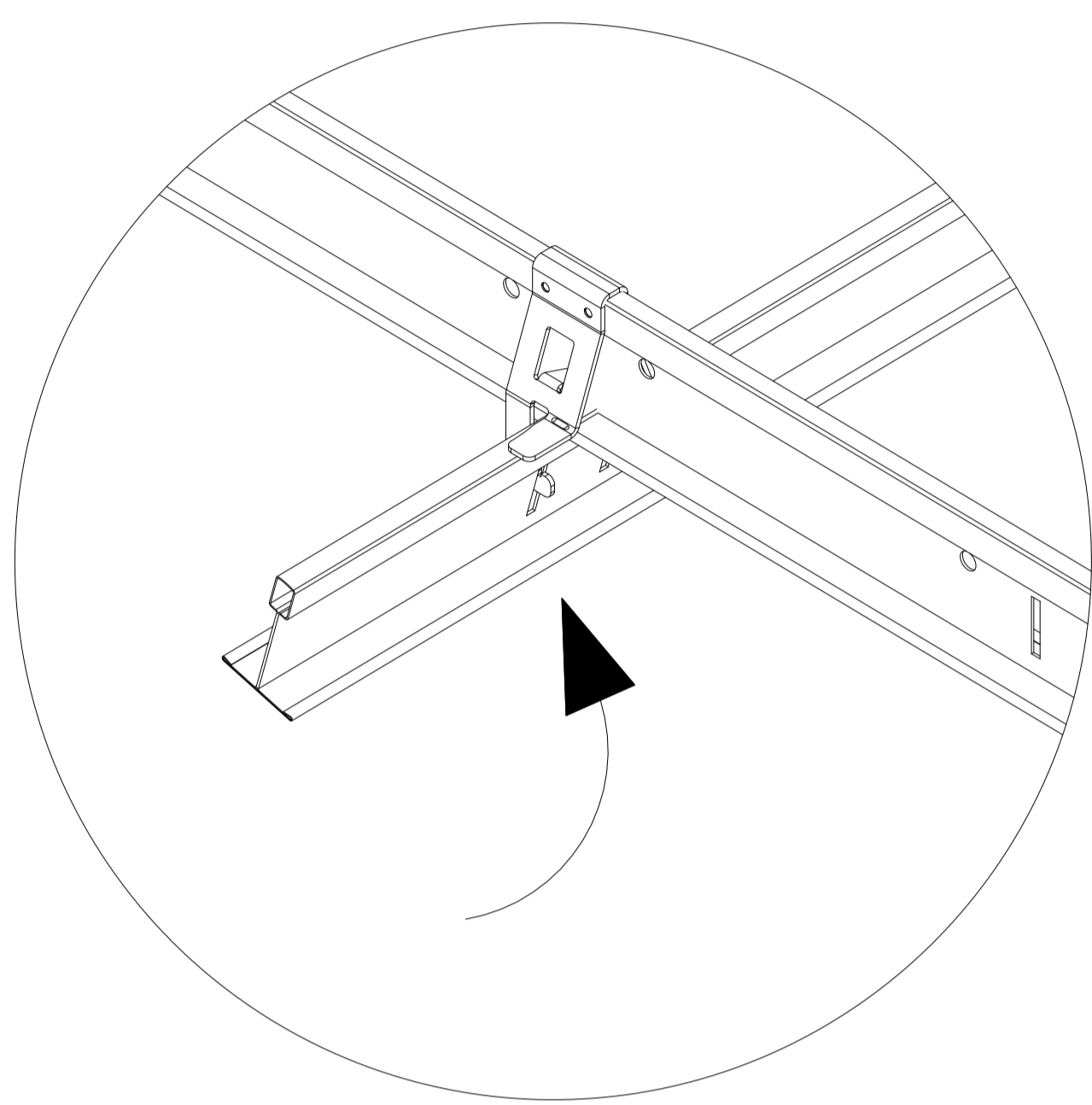
- Attention: mount all Cross-Lock brackets in the same direction.

Detail E

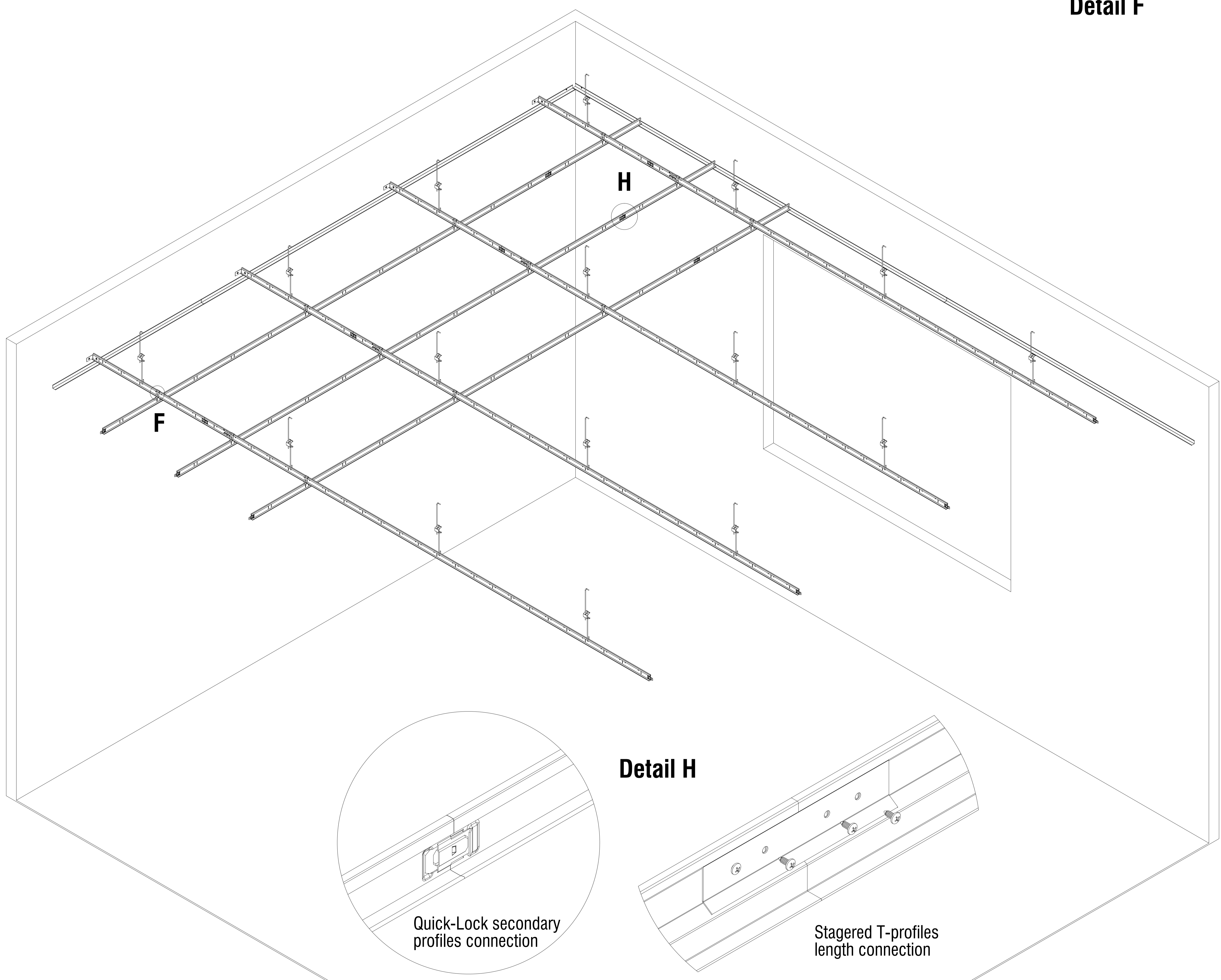


V3, 03 / 2013

1. Install the secondary beams. Profile length connectors have to be used for stability.
2. Secure the connection by bending both Cross-Lock bracket tabs downwards.
3. Check the diagonals of the system, correct and secure again when needed.
4. For extra stability all or part of the secondary beams can be attached to the walls using corner brackets.



Detail F



Detail H

Quick-Lock secondary profiles connection

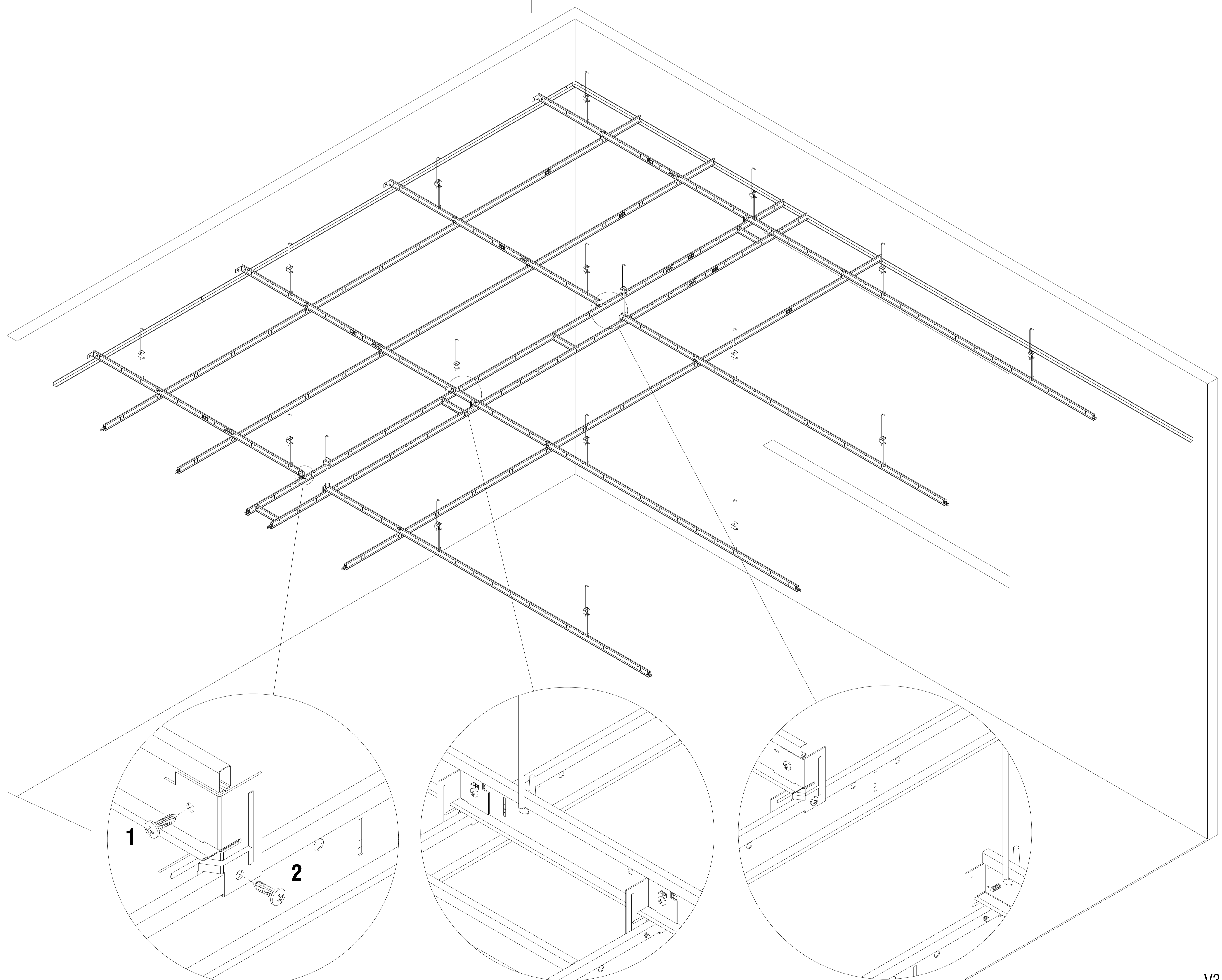
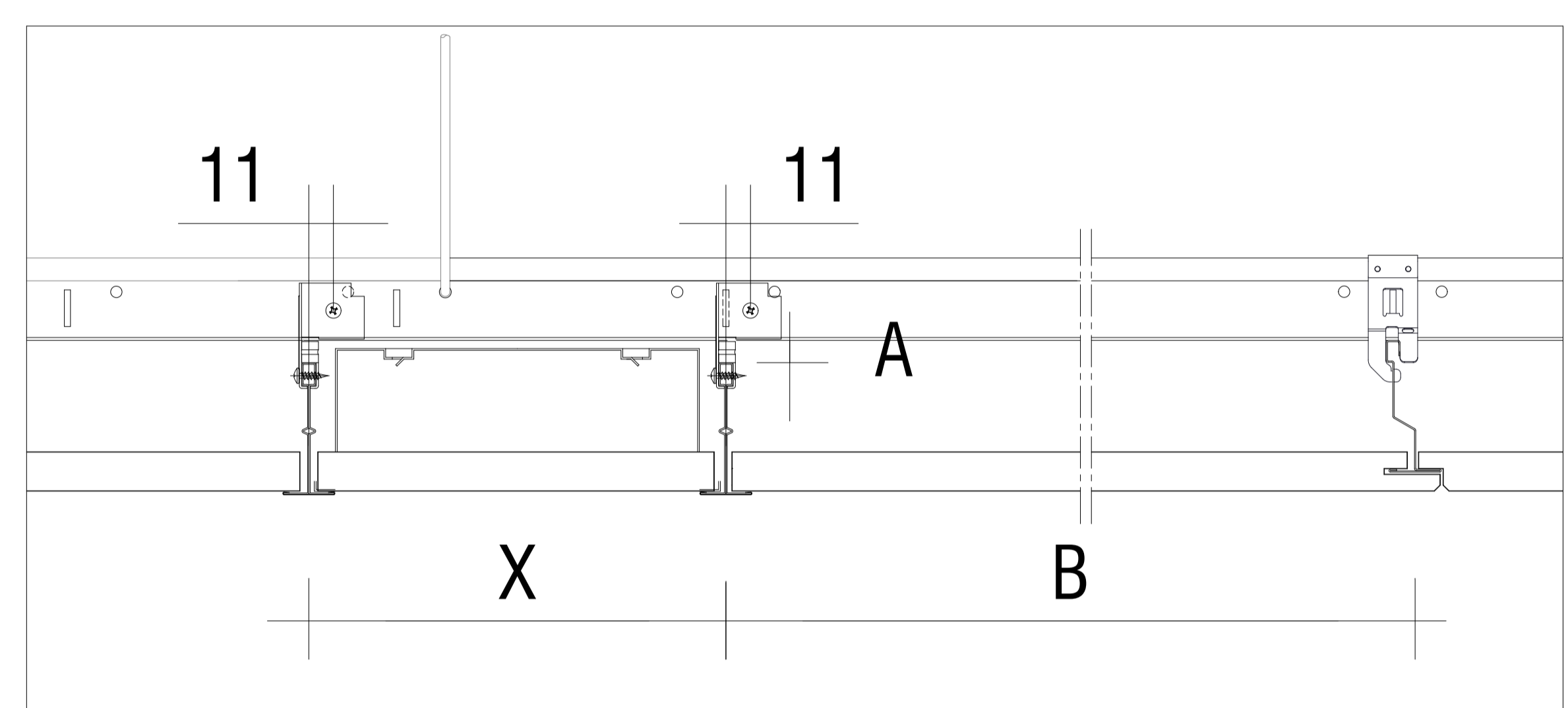
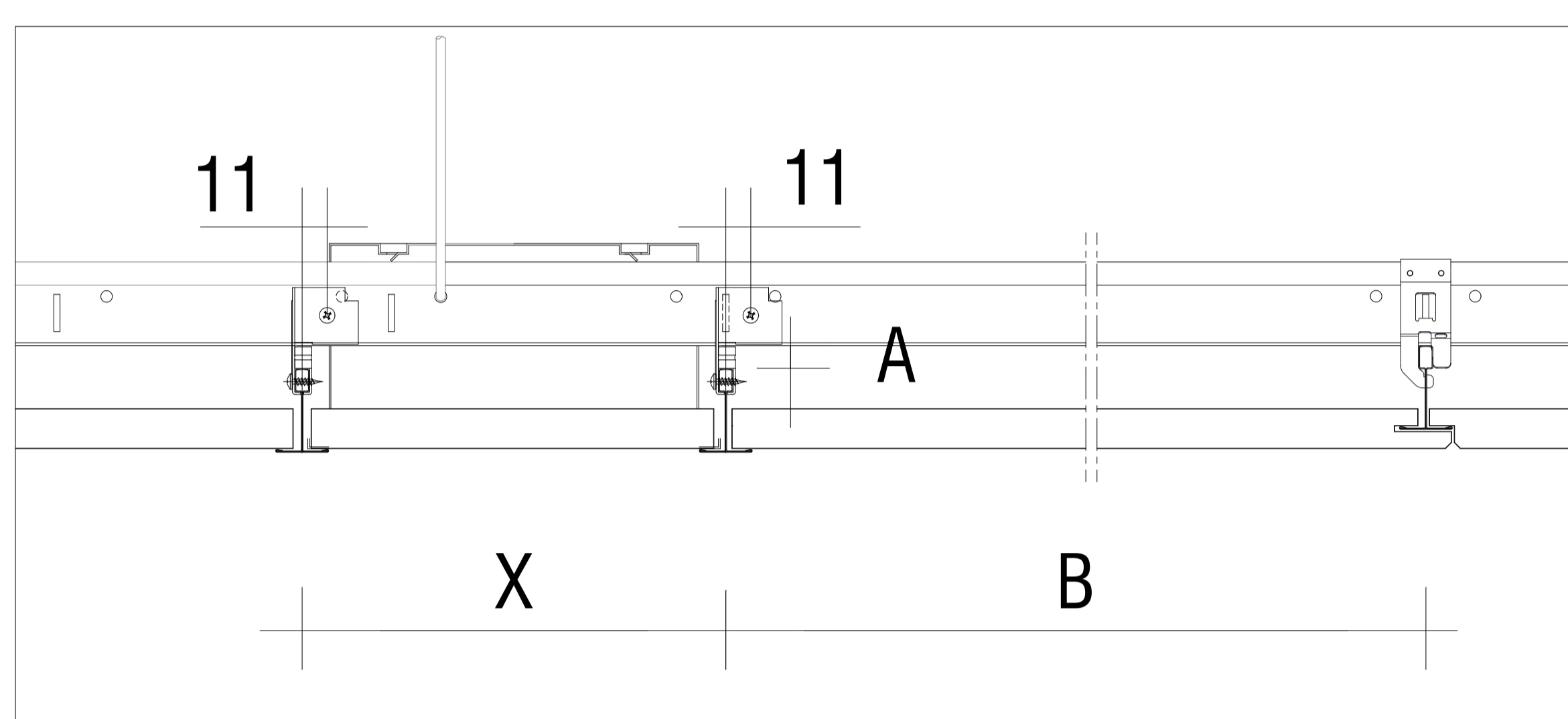
Staged T-profiles length connection

Cross-Lock system concealed demountable

Light fitting suspension, INSTALLATION MANUAL

In case lighting fittings are planned supporting profiles have to be mounted using the light fitting brackets. These brackets have to be mounted together with the Cross-Lock brackets. The positions of the brackets are related of the light fitting and ceiling lay-out. On the both sides of the light fittings ceiling panels can be cut to reduced size (not visible edge).

1. Mark the positions of the light fitting brackets.
2. Mount the first light fitting bracket and secure the bracket with a screw (1).
3. Stab-in the first visible T-profile and mount other brackets simultaneously with the T-profile.
4. Depending on length and number of light fitting rails next profiles can be mounted and connected.
5. After mounting the profiles may need adjusting. When in correct position the connection needs to be secured with screws (2) through the bulb of the profiles.
6. In case the cross-tees are used at the lighting fitting ends these can be mounted now.



V3, 03 / 2013

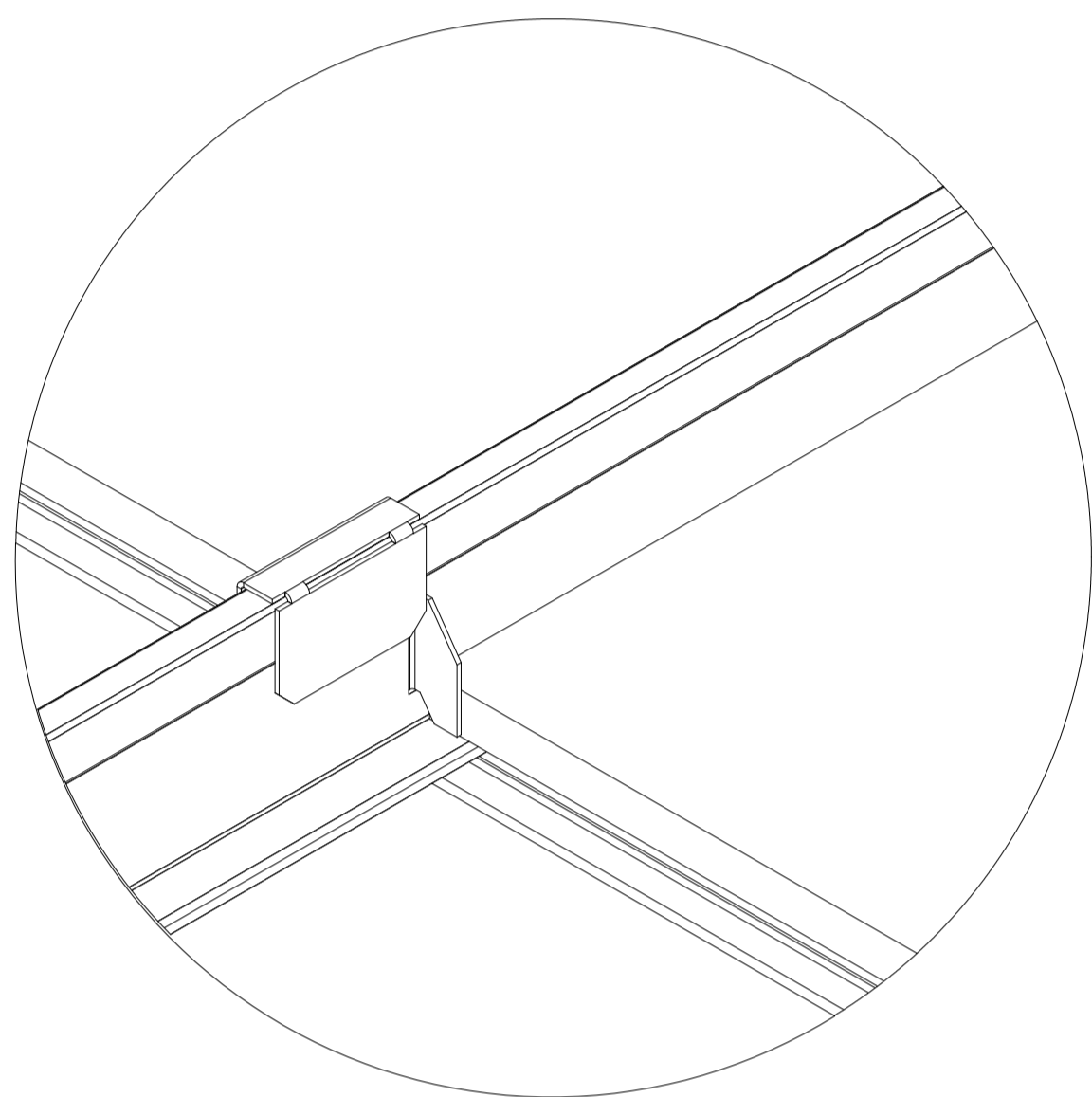
Cross-Lock system concealed demountable

Ceiling panels, INSTALLATION MANUAL

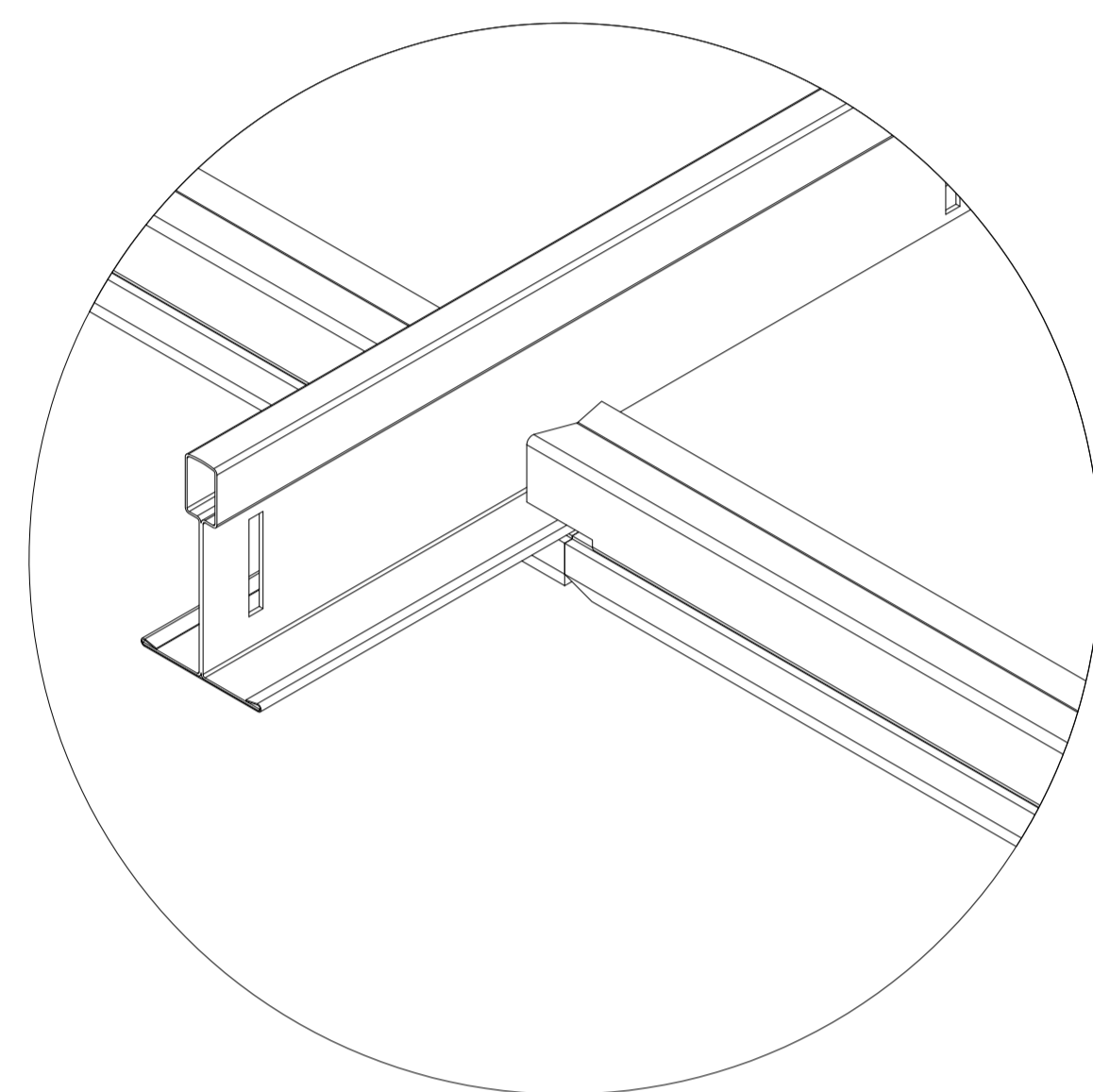
Depending on brand and ceiling panel type panel reinforcement by means of panel edge profiles type H8 or H22 may be required.

For the securing the position of the panel joint "panelstops" can be mounted every 2, 3 or 4 panels (depending on ceiling lay-out).

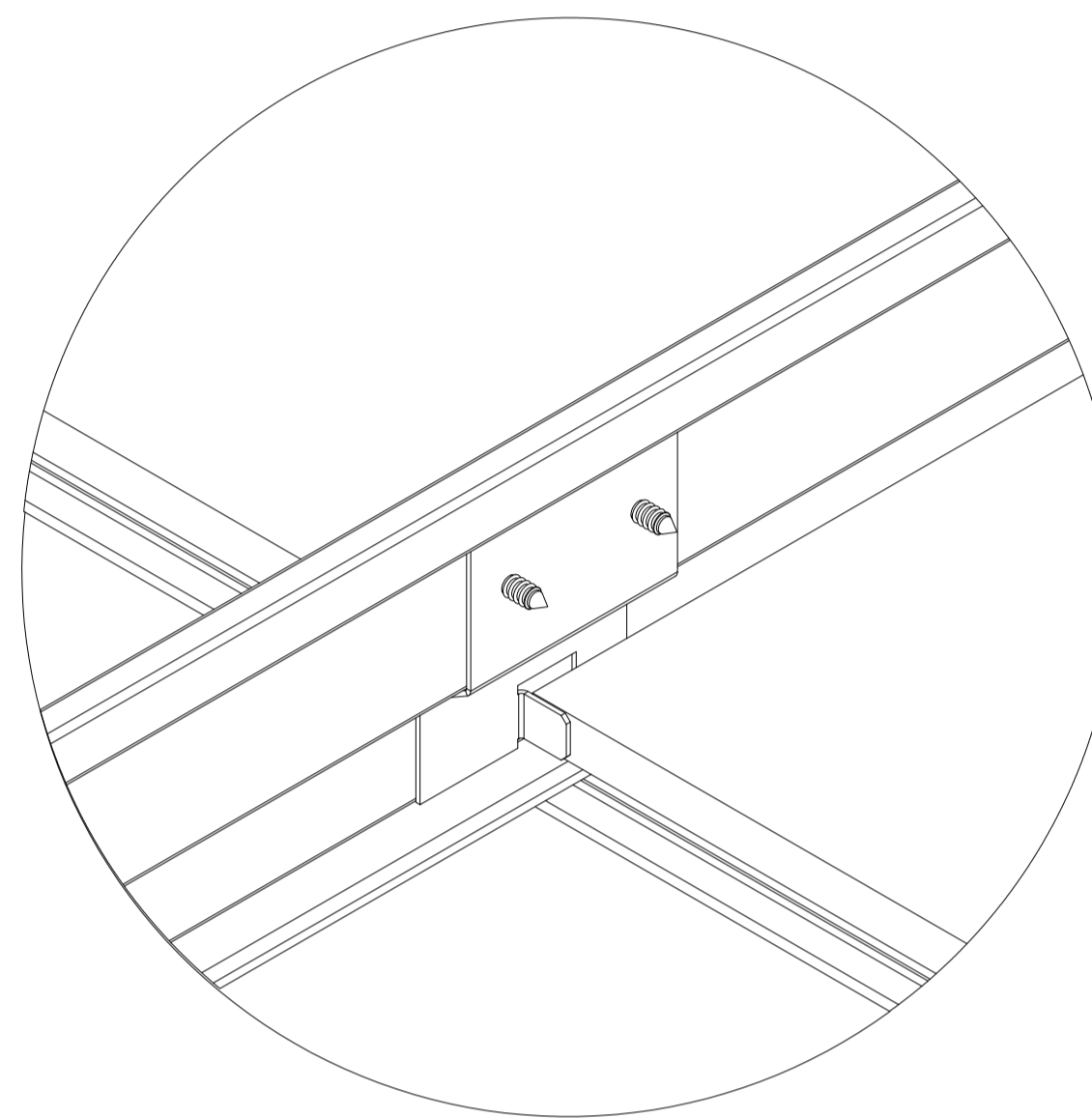
Panel stop, std system



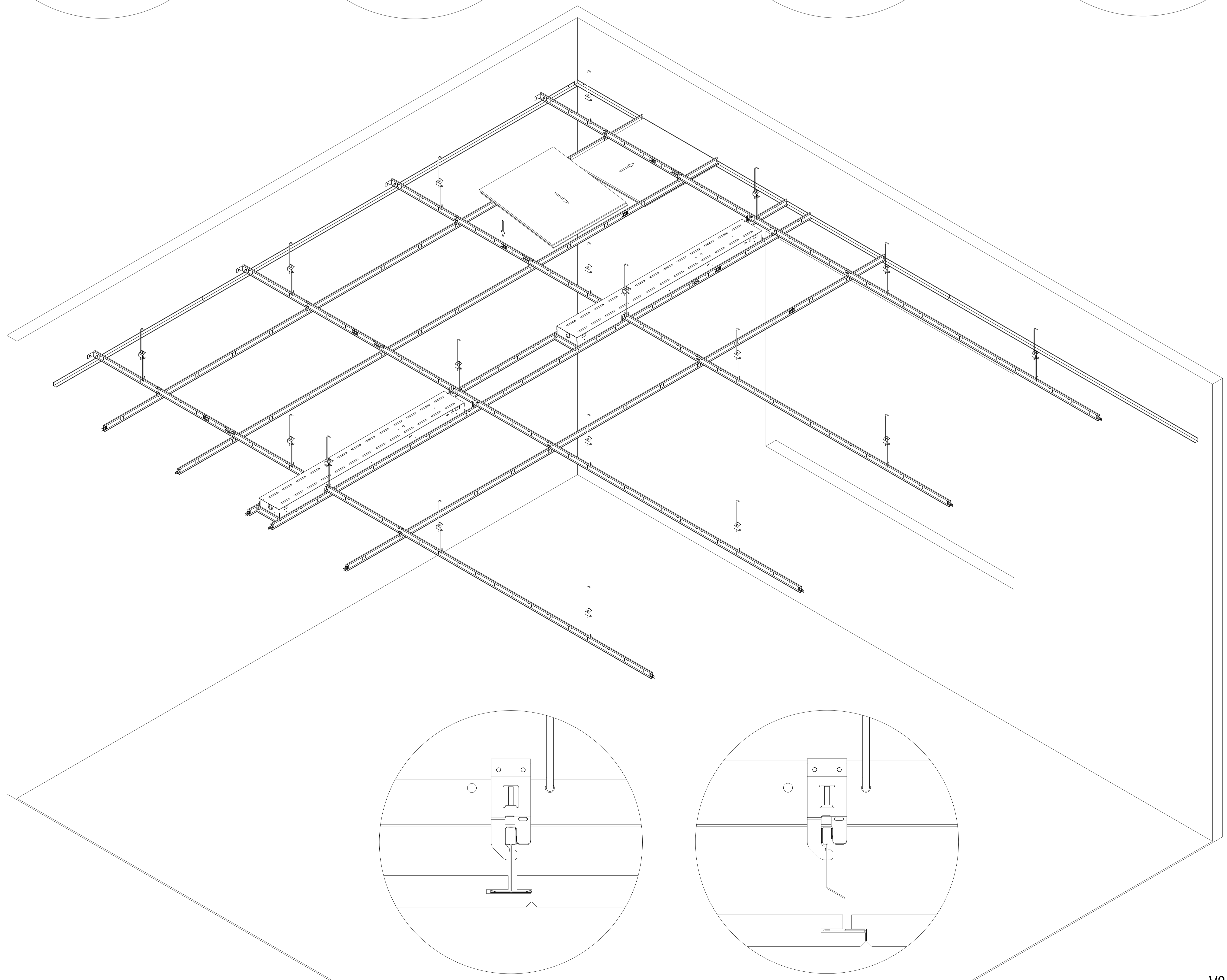
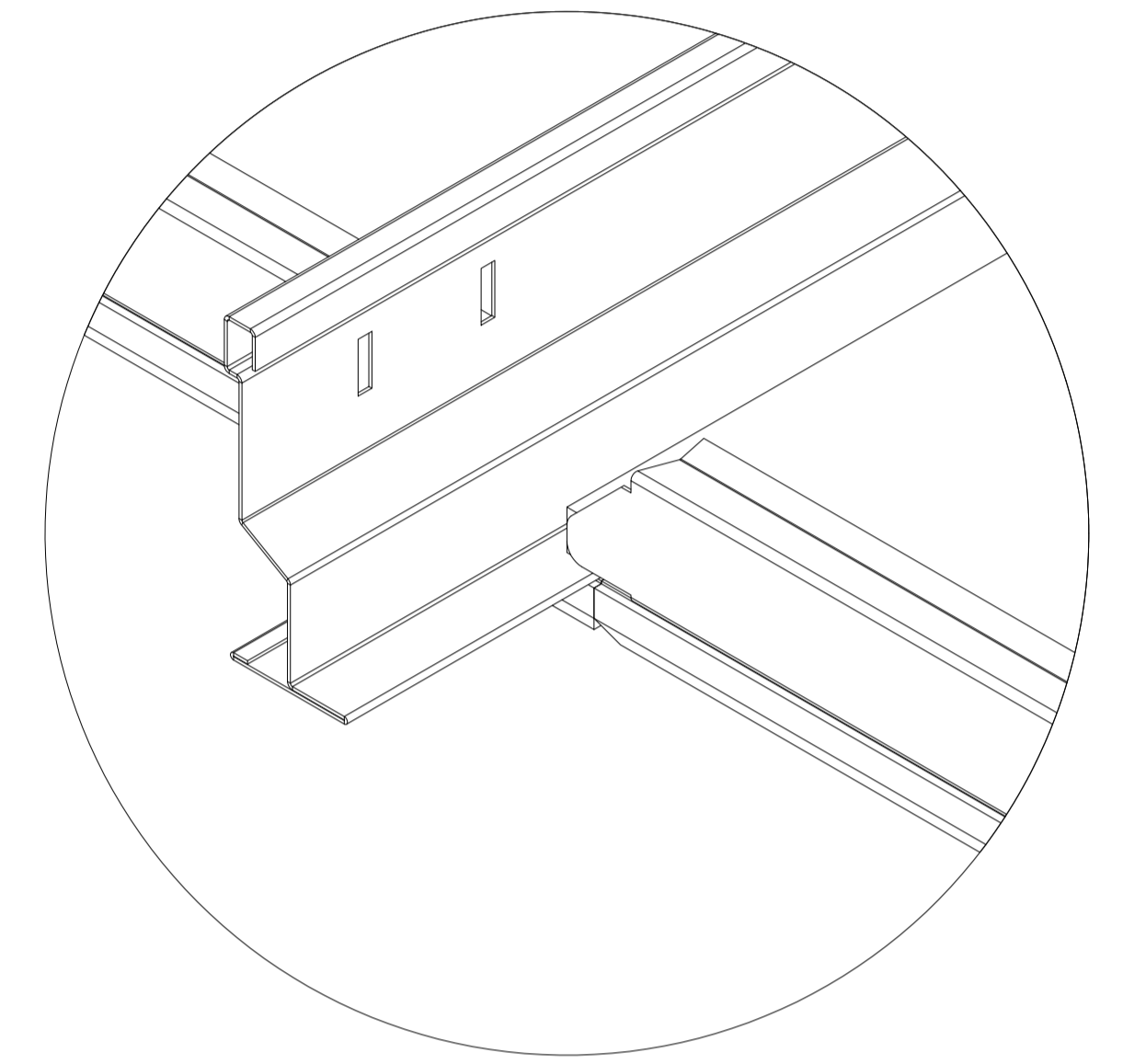
Panel edge profile H8, std system



Panel stop, XL system



Panel edge profile H22, XL system

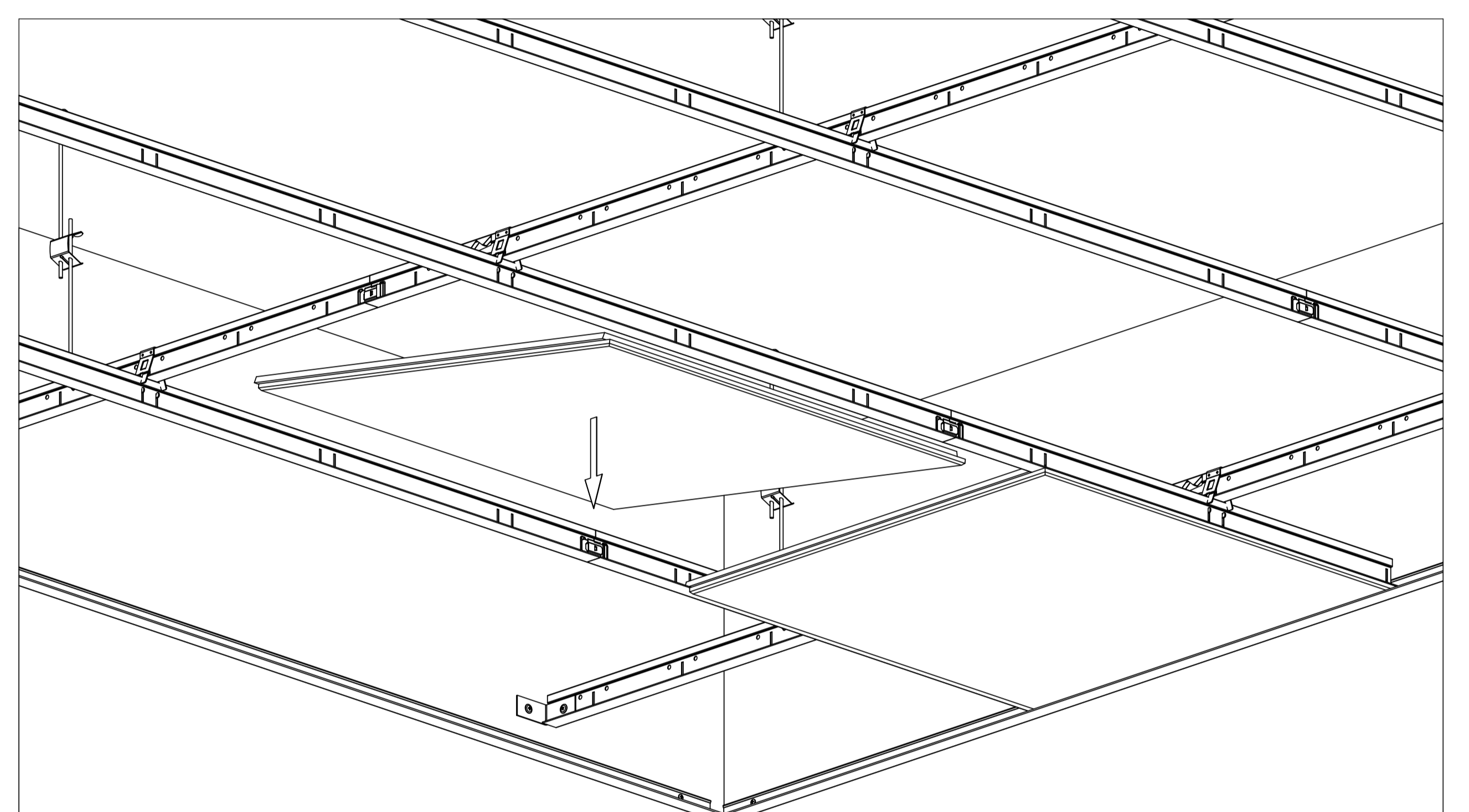
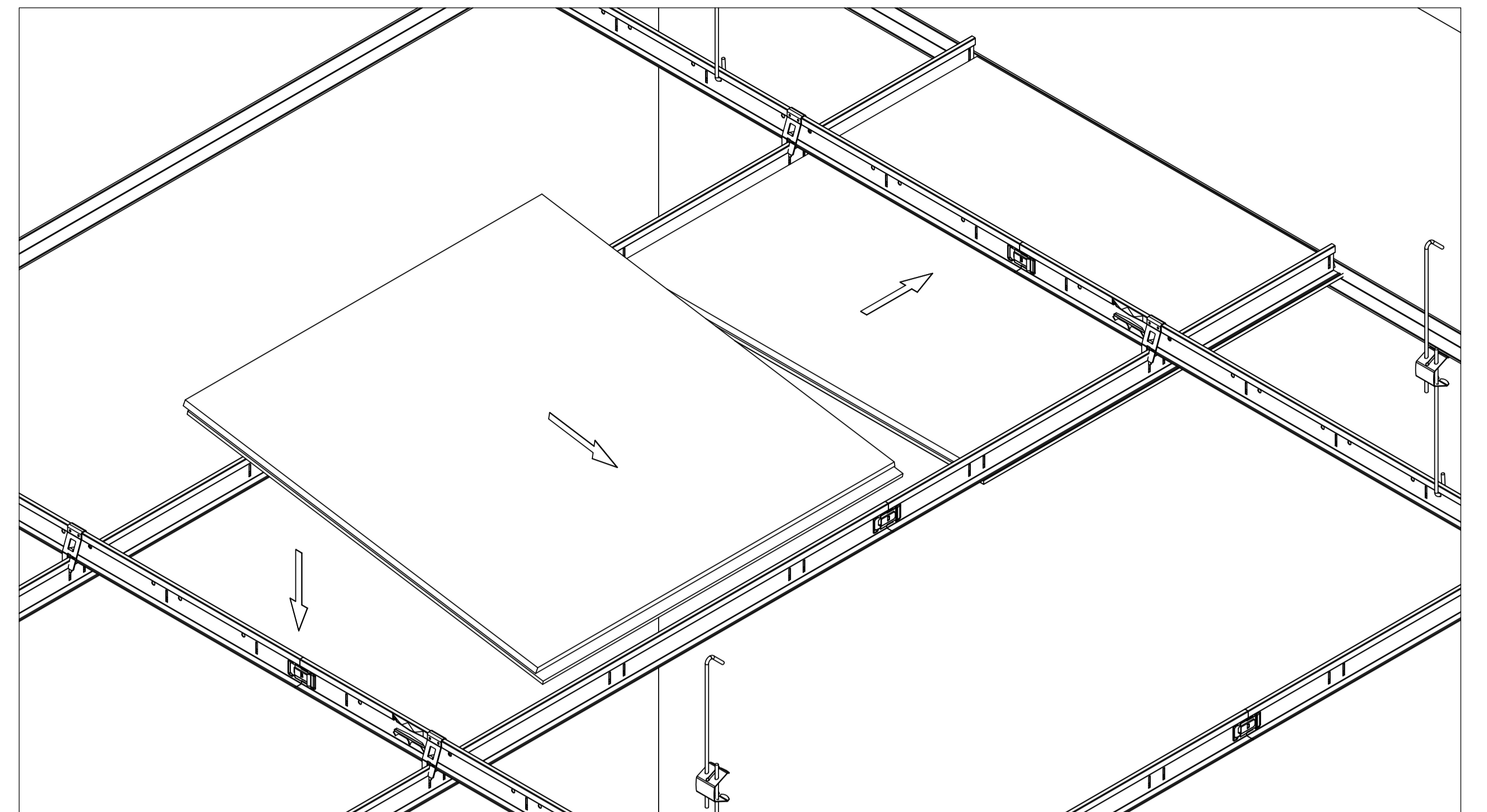
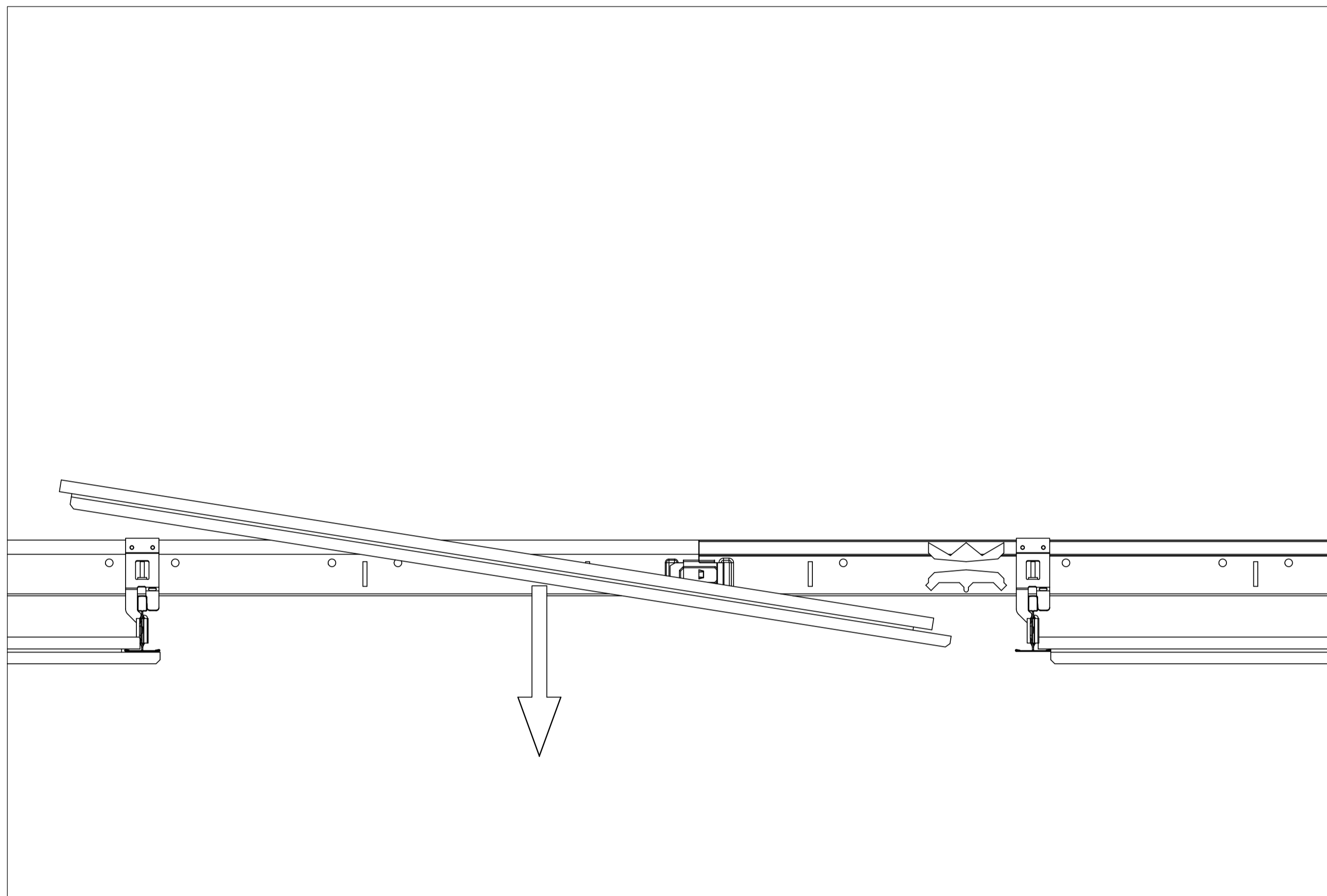
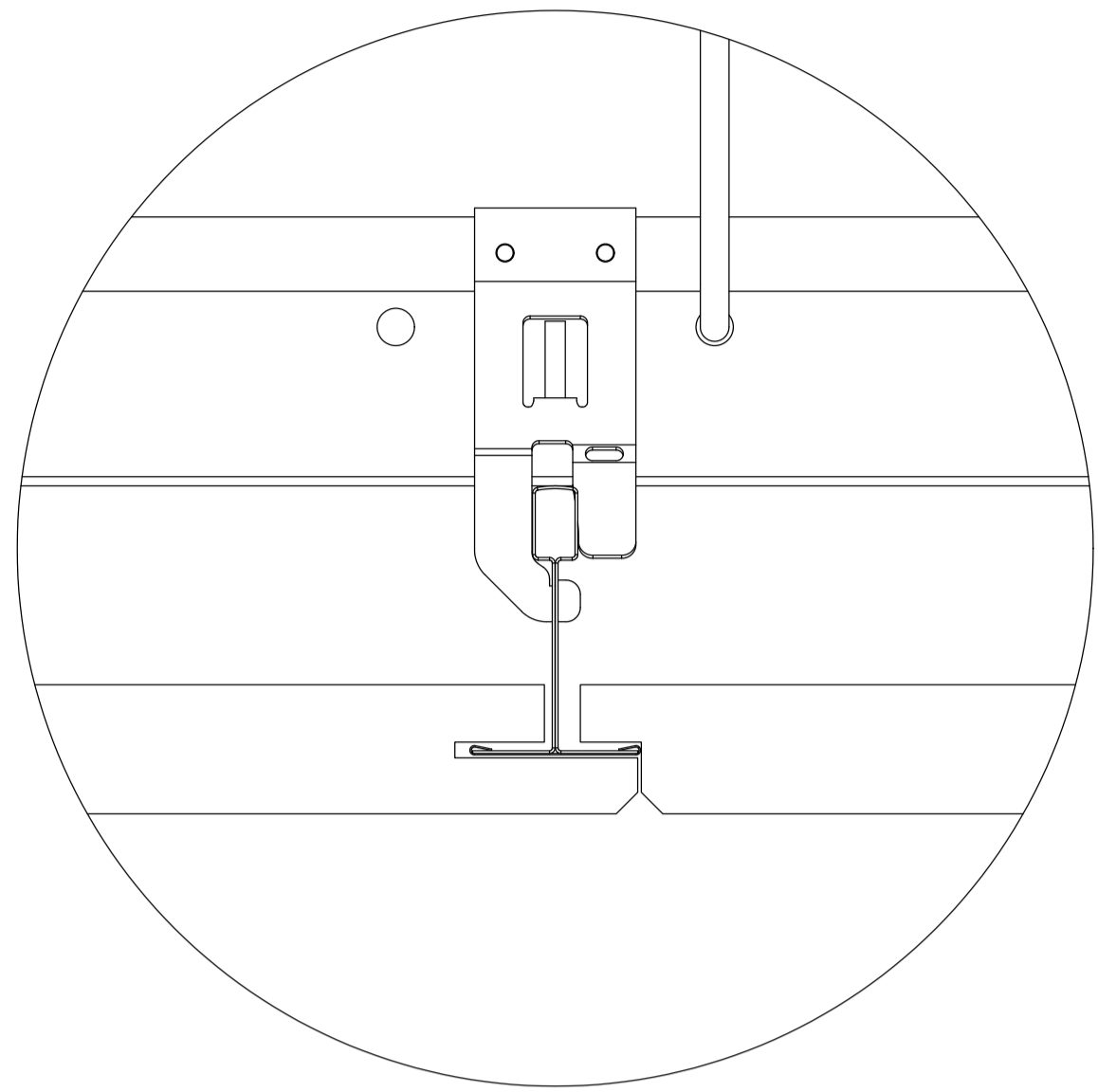


V3, 03 / 2013

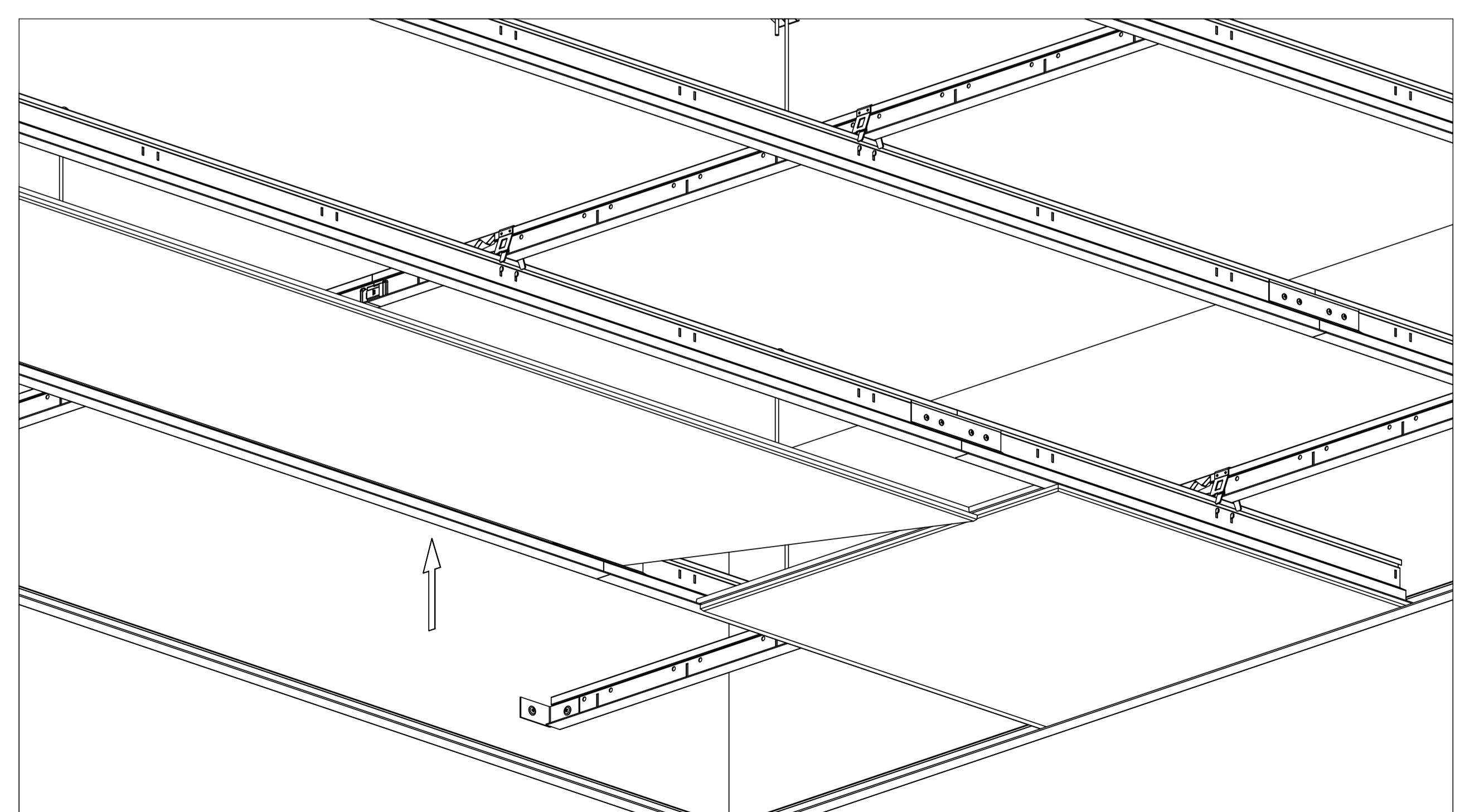
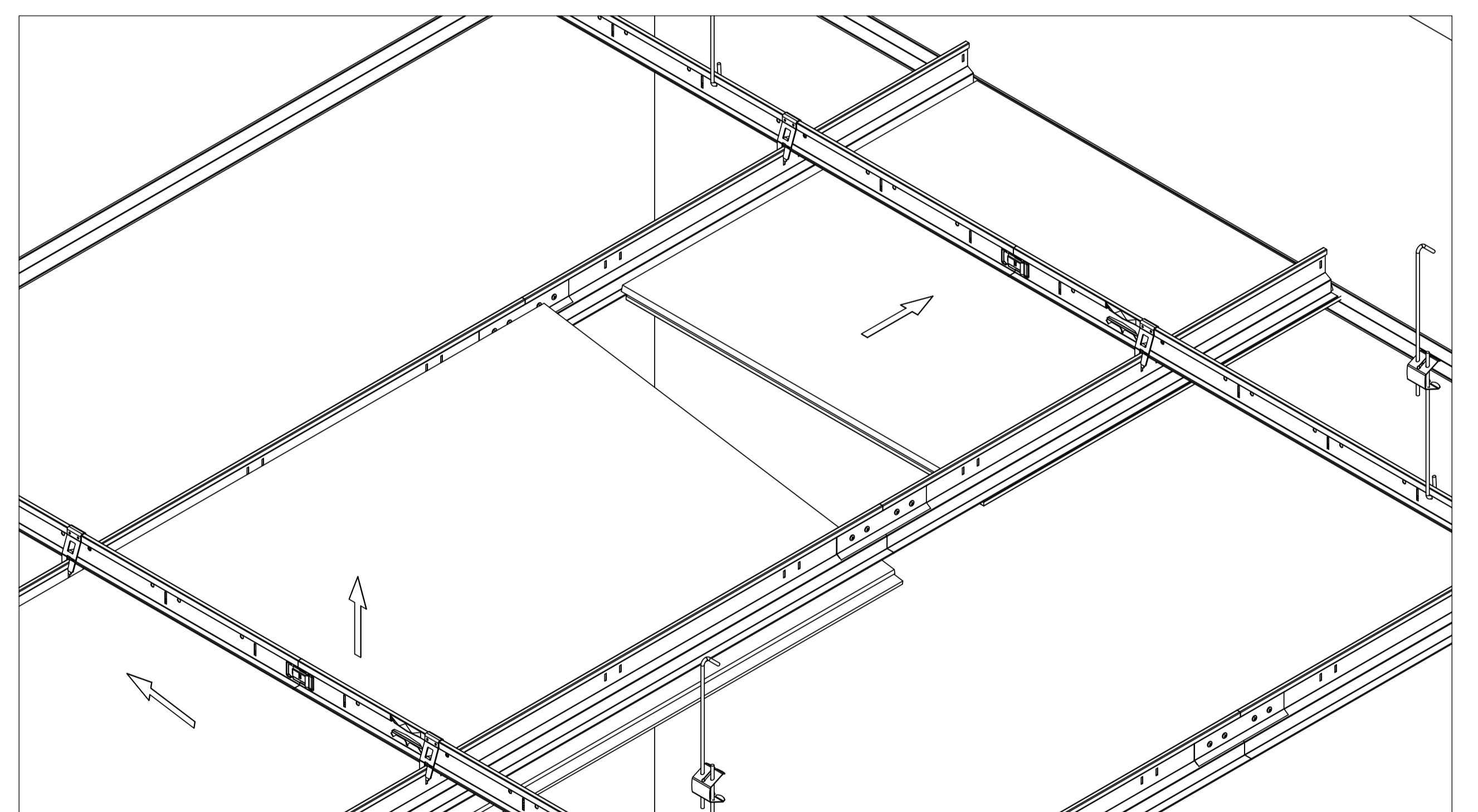
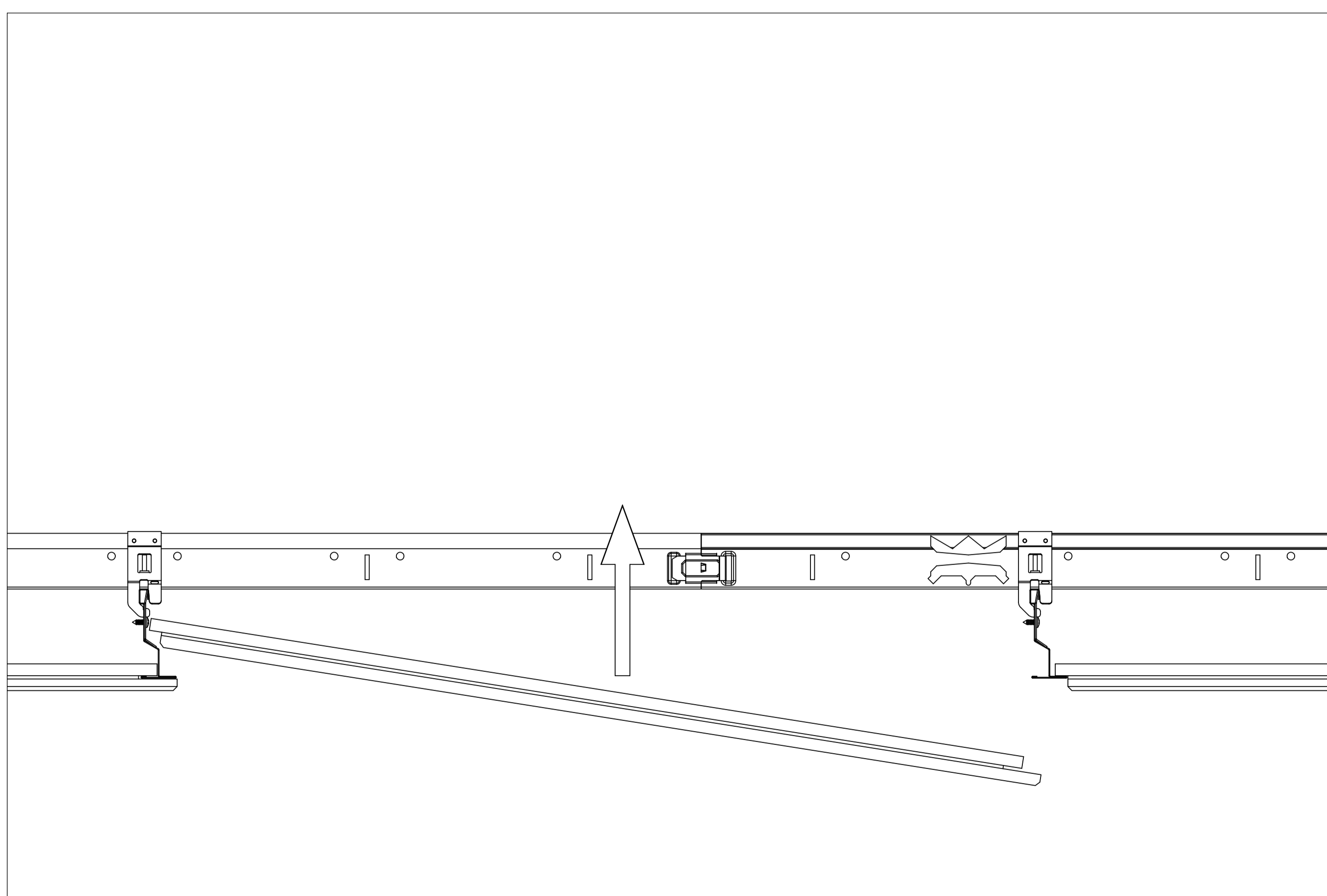
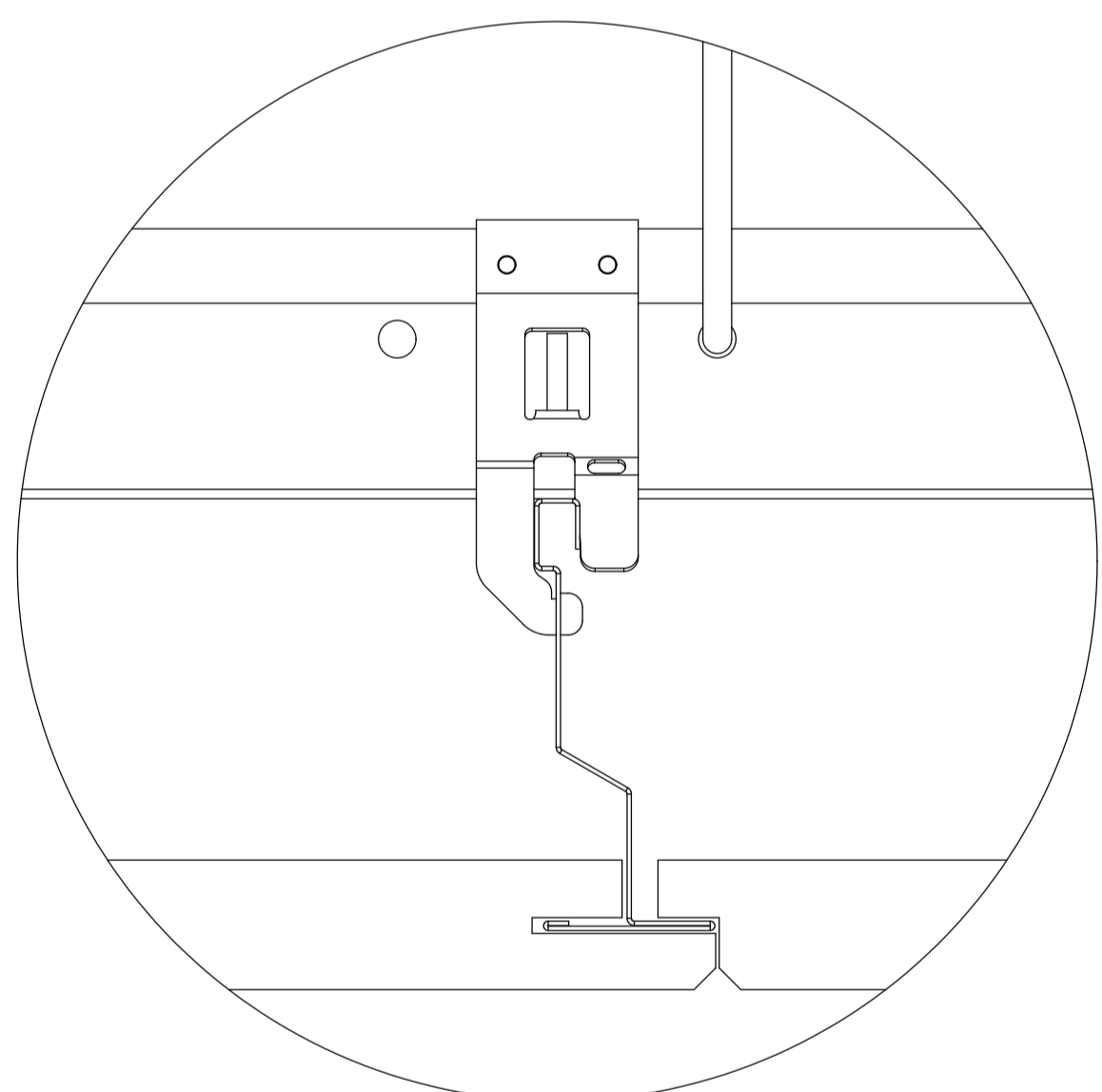
Cross-Lock system concealed demountable

Ceiling panels, INSTALLATION MANUAL

Standard system: pass the tilted panel through the system, lower and move the panel in the place.



XL system: enter the tilted panel into the staggered T-profile and lower and move the panel in place.



V3, 03 / 2013