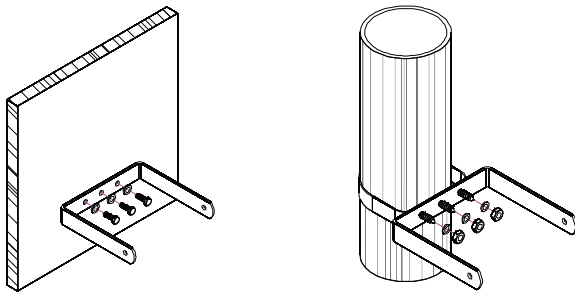
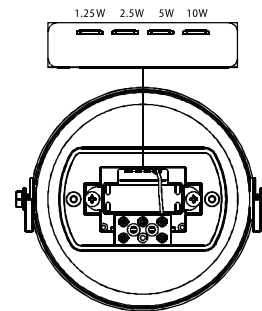
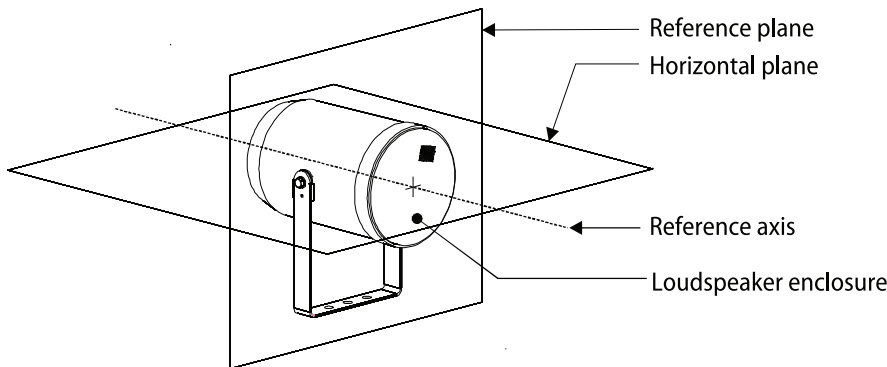
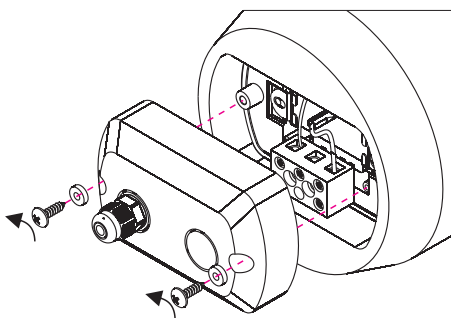




EN54-24:2008
0359-CPD-0214
TYPE B

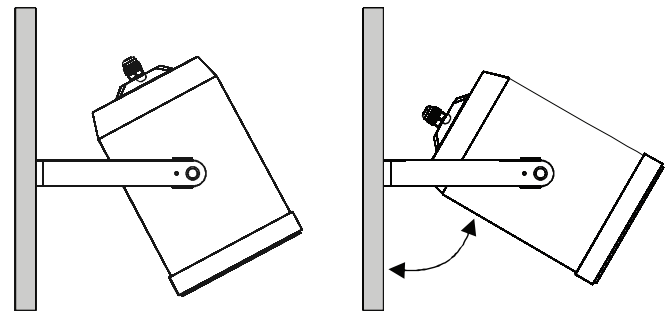


1) Remove the "U" bracket from the speaker. Drill the mounting location holes for the unit in line with the "U" bracket (2 holes 30 millimeters apart) in the surface where the loudspeaker is to be located.

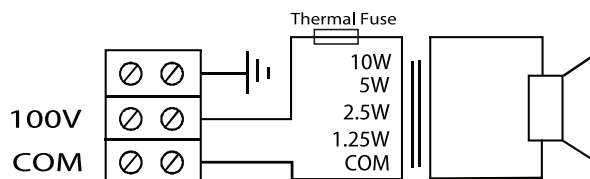


2) Remove back lid of the unit (cable gland end) and connect input cable to the ceramic terminal block through the cable gland provided.

3) Select the desired wattage, and ensure that the input cable is connected to the selected terminal the loudspeaker chamber and to no other connection, as the unused transformer tapings must always be isolated from one another. Secure the cable gland tight, ensuring that all the rubber washers are in place for the fixing screws. You will observe that the inner section of the chamber where the back lid was removed is a large EVA gasket, please make sure that this is in a correct place when replacing the back lid.



4) Re-fit the speaker to the "U" bracket. Position the speaker to the desired angle then tighten the fixings to secure in place. Before connecting the speaker circuit to the power amplifier we strongly advise that the impedance of the circuit is checked to ensure it is fault free in order to prevent damage to the speaker and or amplification.



SP 10EN Circuit Diagram