



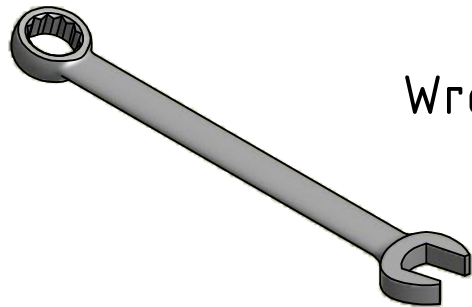
# Installation manual

## Van der Valk Pitched Roof System

### CLAMP



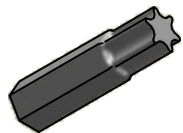
# Necessary Tools For van der Valk Pitched Roof System - Clamp



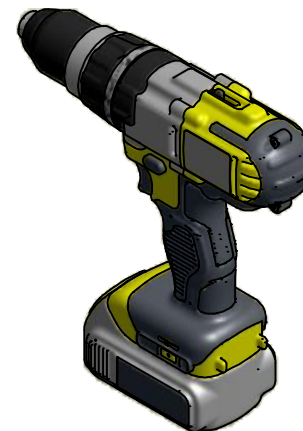
Wrench 10 and 13



Socket 10 and 13



Torx bit T25 and T40



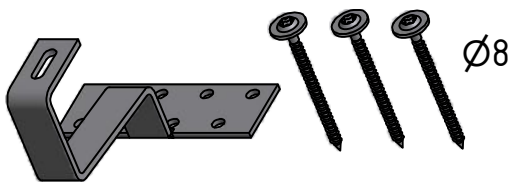
cordless drill  
(for socket 10 and 13  
and Torx bit T25 and T40)

# Van der Valk Pitched Roof System - Clamp

**VAN DER VALK**



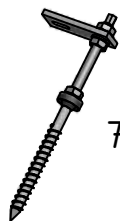
**SOLAR SYSTEMS**



74.78.10

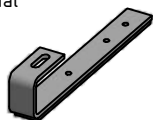
77.43.80

optional



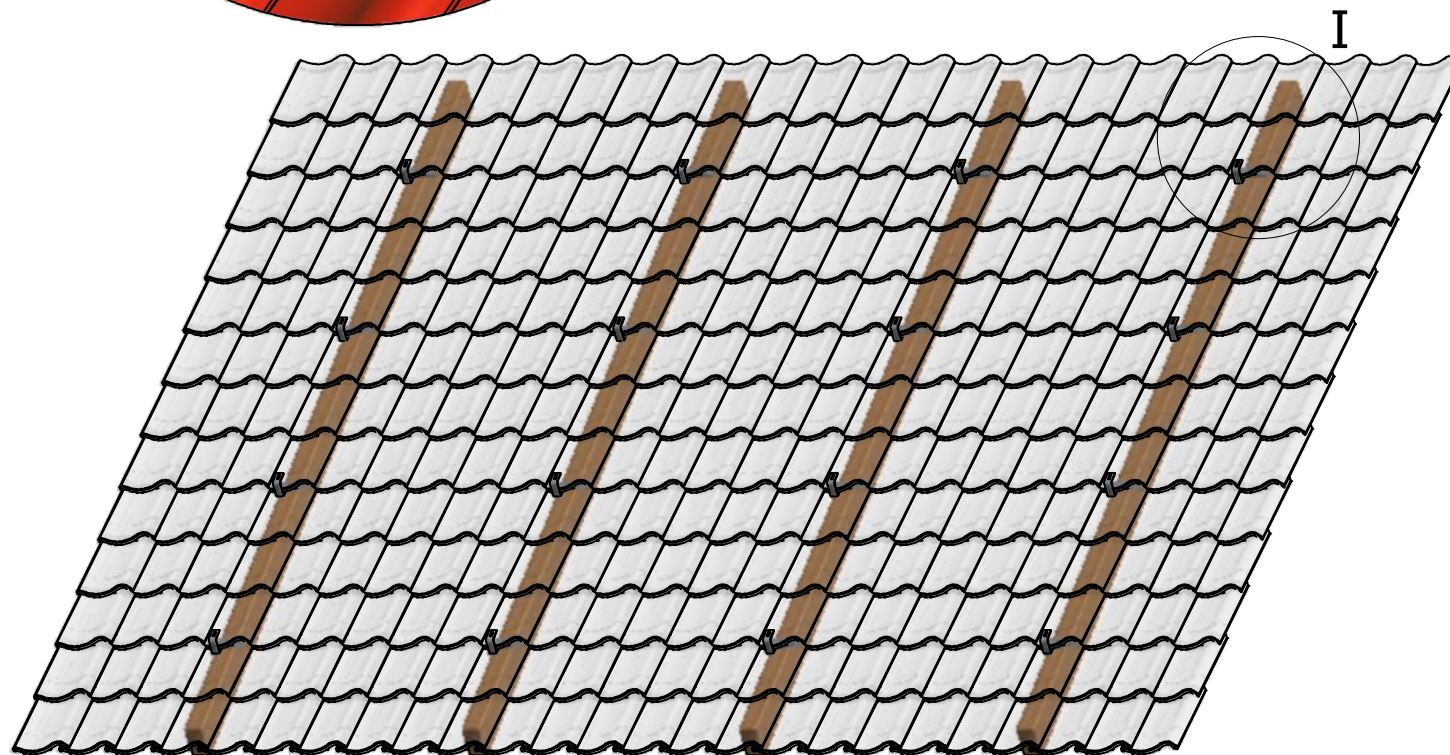
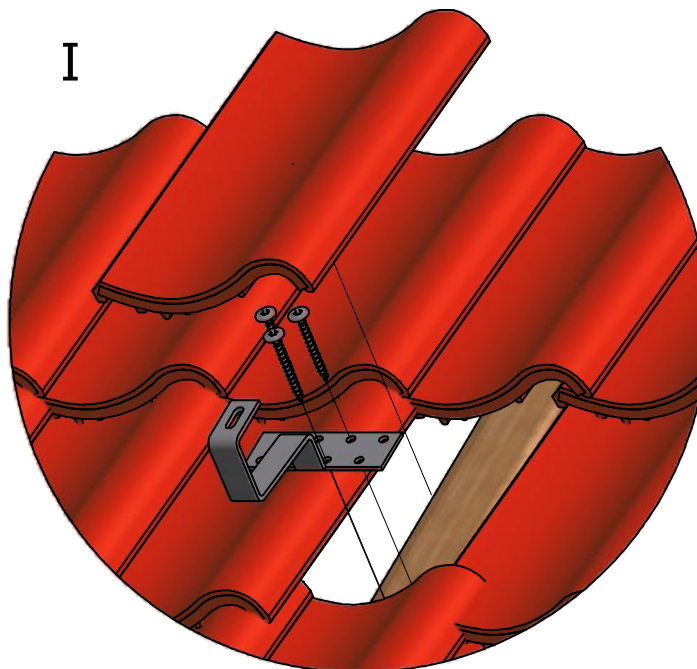
74.78.90

optional



74.78.80

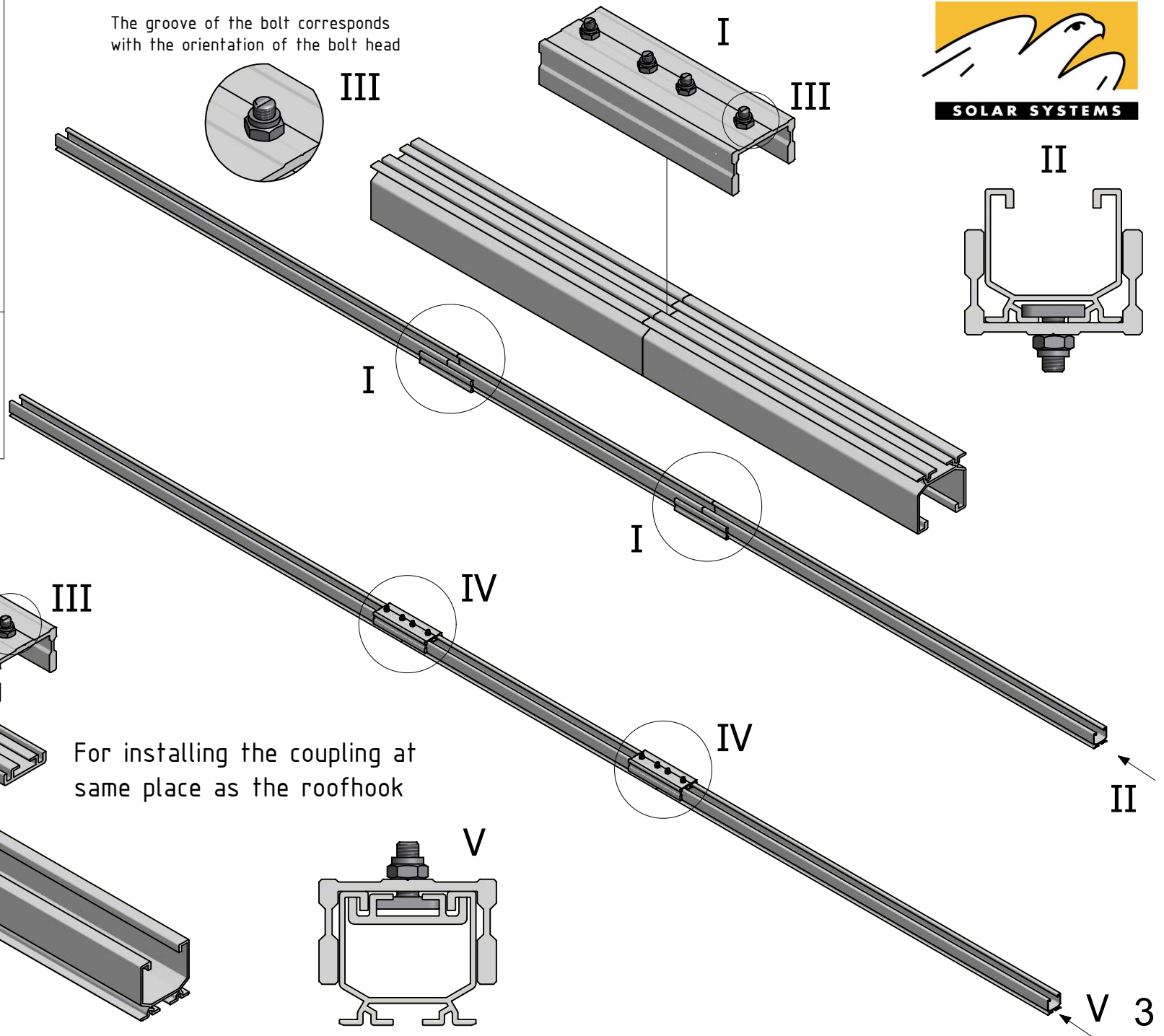
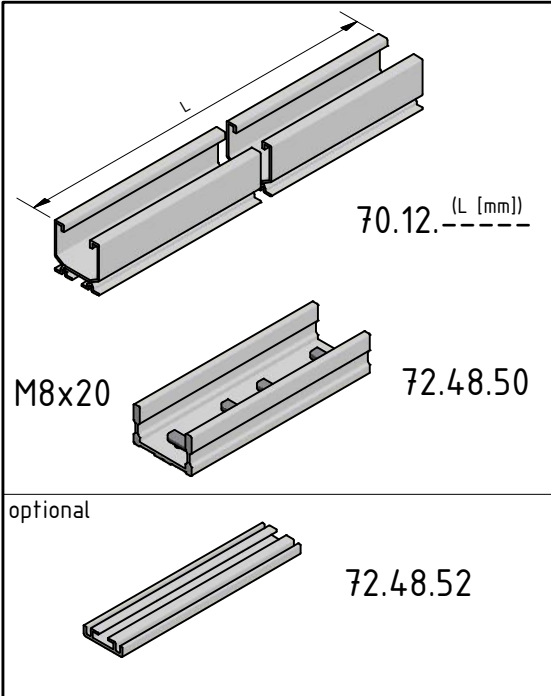
77.33.60





### Van der Valk Pitched Roof System - Clamp

The groove of the bolt corresponds with the orientation of the bolt head



**Attention!**  
No panelclamp can be placed on the same place as a coupling

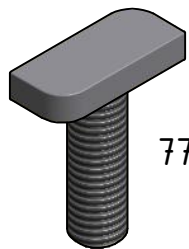
# Van der Valk Pitched Roof System - Clamp

**VAN DER VALK**



**SOLAR SYSTEMS**

M8x25

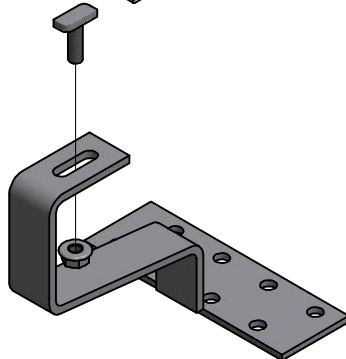
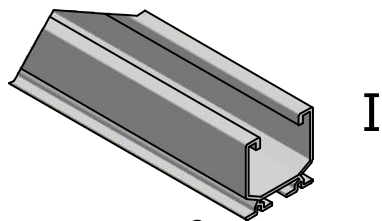


77.42.25

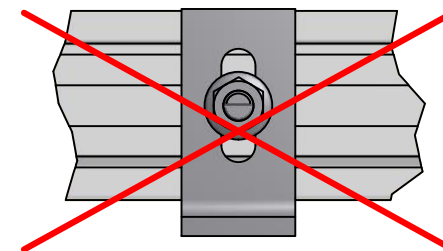
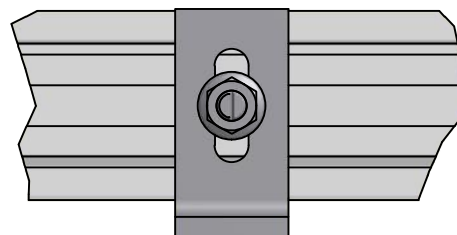
M8



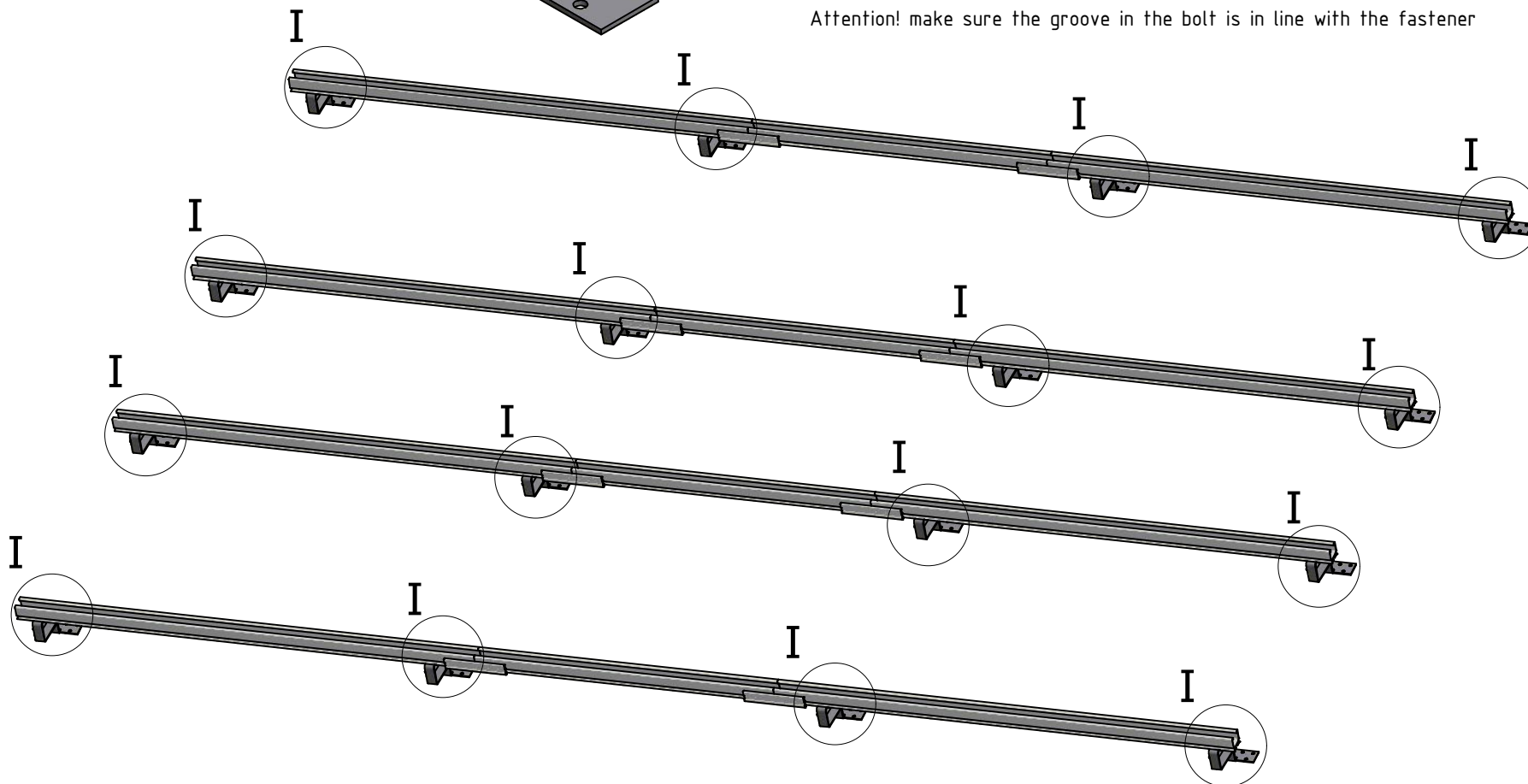
77.40.06



The groove of the bolt corresponds with the orientation of the bolt head



Attention! make sure the groove in the bolt is in line with the fastener



# Van der Valk Pitched Roof System - Clamp

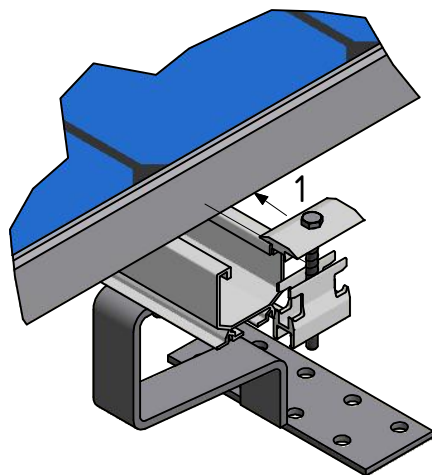
**VAN DER VALK**



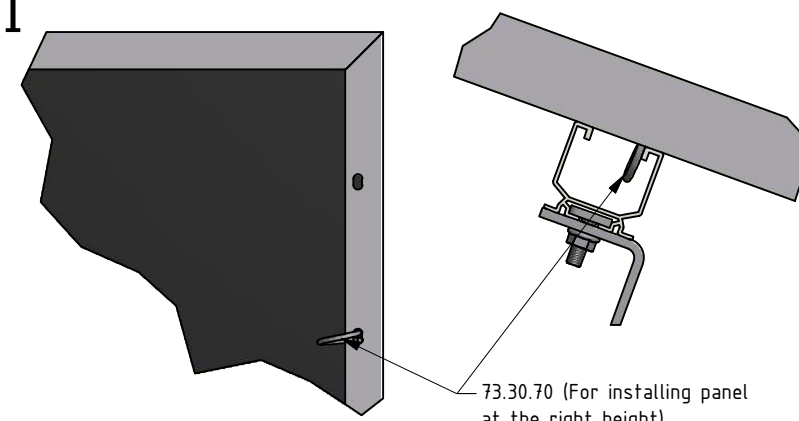
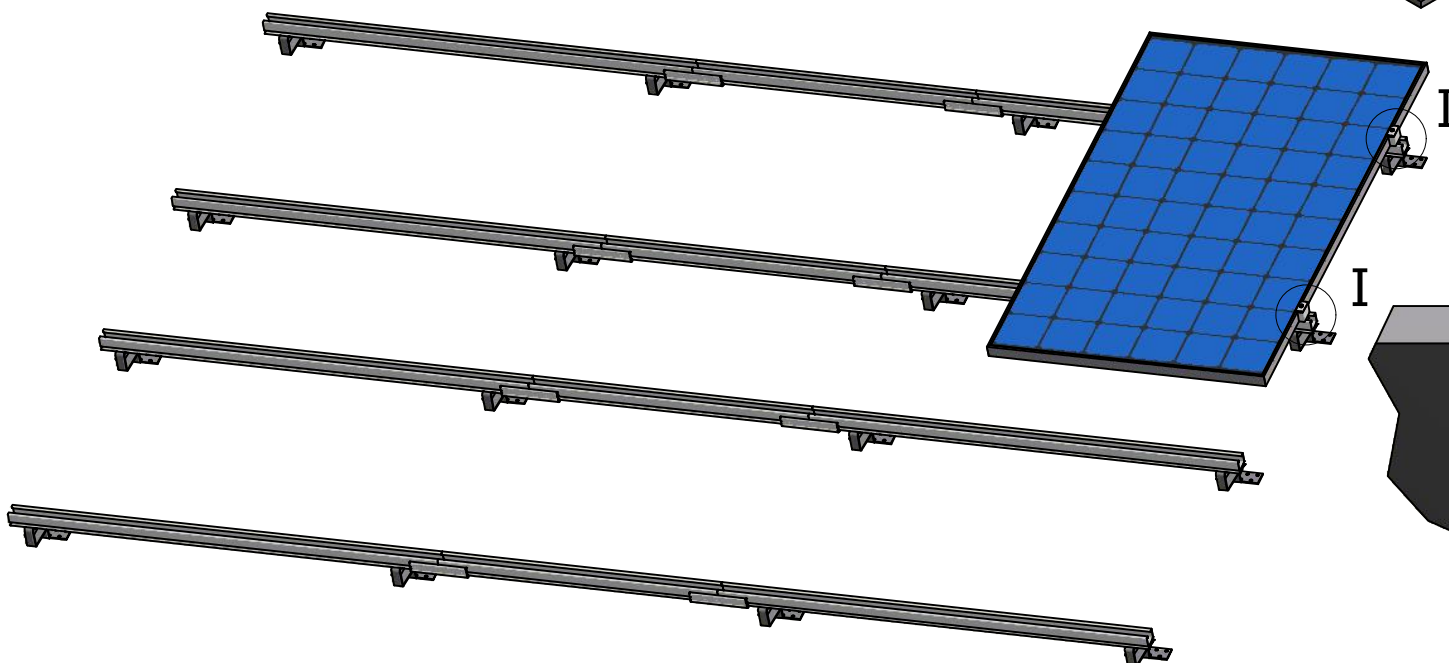
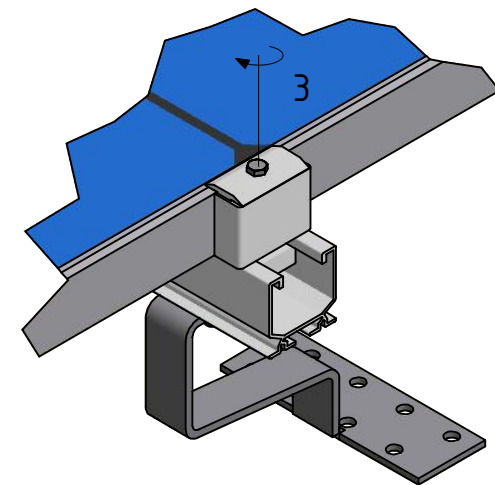
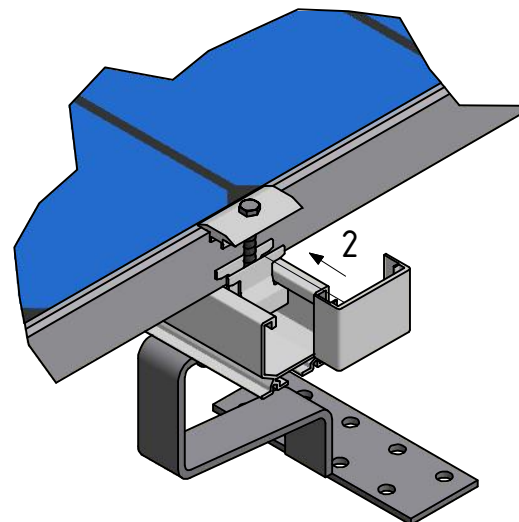
M6 72.15.55

72.15.95 (H [mm])

Optional 73.30.70



### Detail I



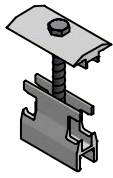
# Van der Valk Pitched Roof System - Clamp

**VAN DER VALK**



**SOLAR SYSTEMS**

M6



72.15.55

## Detail I

