

I C Y



ICY3710PC
Power Converter

Installation Manual

Introduction

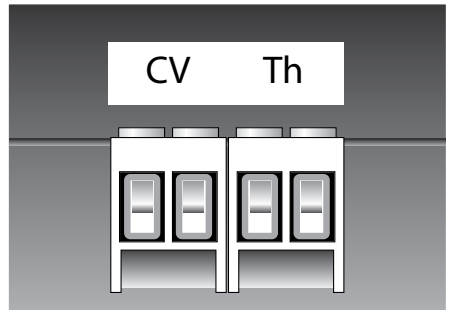
The ICY3710 Power Converter is used in situations where the thermostat cannot be directly connected to the boiler. This is the case with deviated switching voltages and in situations where the boiler is not able to provide power to the thermostat. The Power Converter provides power to the thermostat. The boiler is switched non-polar.

Installation

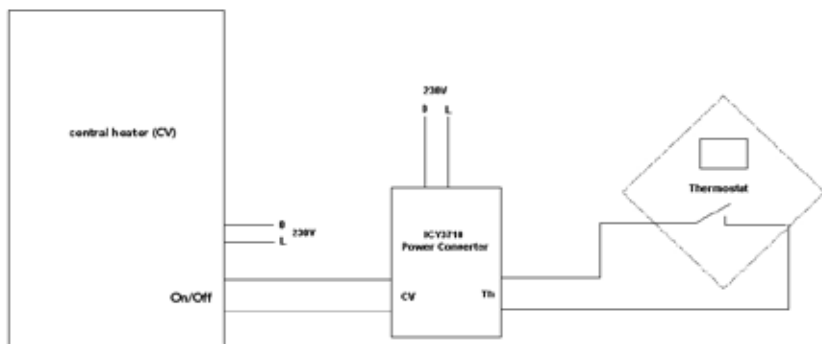
- **Unplug the boiler from the electrical outlet.**

The Power Converter has two sliding plugs and are marked with the letters "CV" and "Th".

- Connect the wire from the thermostat to the connectorblock, marked "Th". This is probably originated from the wall. The polarity (plus or minus) is not important.
- Connect the wire coming from the Onn/Off switch in the boiler in the connector block marked "CV". Again, no need to observe polarity.
- Plug the Power Converter into the outlet by the boiler. You may use the same outlet as the boiler.
- Connect the boiler again. The boiler plug can be plugged into the Power Converter or in any other available outlet.



Connection diagram



© I.C.Y. B.V.
service@icy.nl
www.icy.nl

2011-1