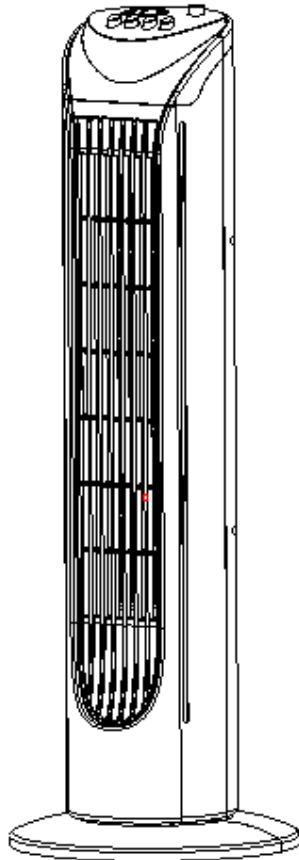


# FS10-6NY TOWER FAN

## Operating Instructions

*READ AND SAVE THESE INSTRUCTIONS*



### **CAUTION**

Read Rules for Safe Operation and Instructions Carefully.

### **WARNING**

If the supply cord is damaged, it must be replaced by the manufacturer, its service agent or similarly qualified persons in order to avoid a hazard

This product is only used indoor.

DO NOT let children or infirm persons use the appliance without supervision. Ensure that the fan is switched off from the supply mains before any cleaning.

Never insert fingers, pencils, or any other object through the housing when towerfan is running. Disconnect it when moving from one location to another.

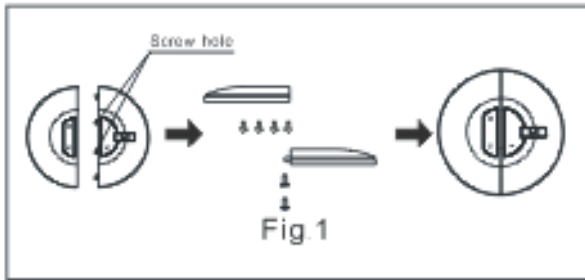
Be sure fan is on a stable surface when operating to avoid overturning.

To reduce the risk of electric shock and injury to persons, DO NOT use fan in a window.

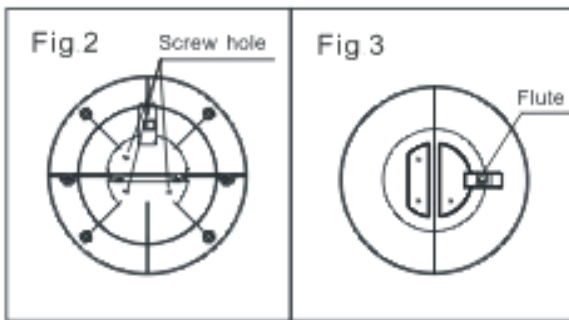
To reduce the risk of fire or electric shock, DO NOT use this fan with any solid-state speed control device.

Be sure to unplug from the electrical supply source before cleaning. Plastic parts should be cleaned with mild soap and damp cloth or sponge. Thoroughly remove soap film with clean water. To disassemble each part, reverse the order of assembly. Be sure not to make water or other liquid enter the inside if motor.

### **PARTS ASSEMBLY**



1. Take the chassis, fan body from the packing box and combine two parts of the chassis with two screws. (See Fig.1)



2. Pass the power cord through the flute, then Insert the fan body in the chassis. (See Fig.3)

3. Fix the fan body on the chassis with three screws. (See Fig.2)

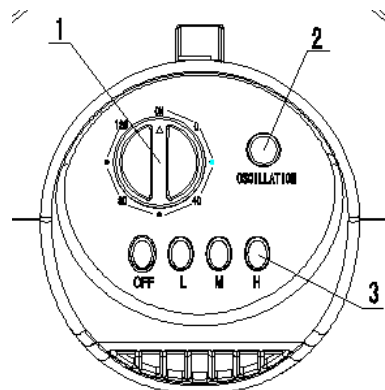
## OPERATING INSTRUCTIONS

### a. Control parts description:

1. Timer 2. Body oscillating switch 3. Speed switch

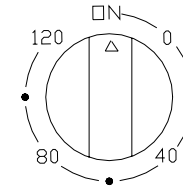
### b. Instructions:

Plug the power cord into a wall outlet.



The air flow can be angled to left or right by pushing the button of body oscillating switch (2). If you want to stop angling , push it again.

120-minute timer  
Turn the knob of which set the time fan will stop when The longest time In case the timer is



timer to position you want, the the time is over. set is 120 minutes. not use, set the timer to “ on”.

Speed is controlled on the top of body with OFF\L\M\H

by push buttons of speed switch

## DISPOSE

According to Waste of Electrical and Electronic Equipment (WEEE) directive, WEEE should be separately collected and treated

Please send this product to WEEE collecting points where available.

Do not dispose of electrical appliances as un-sorted municipal waste, use separate collection facilities. Contact you local government for information regarding the collection systems available. If electrical appliances are disposed of in landfills or dumps, hazardous substances can leak into the groundwater and get into the food chain, damaging your health and well-being.

