



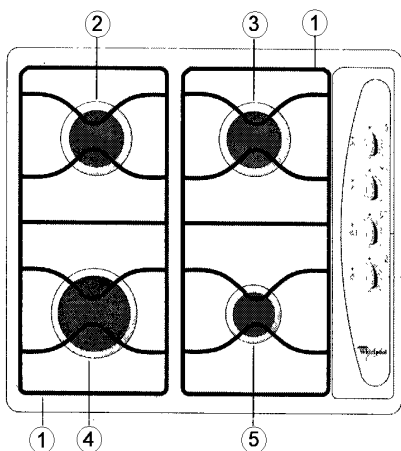
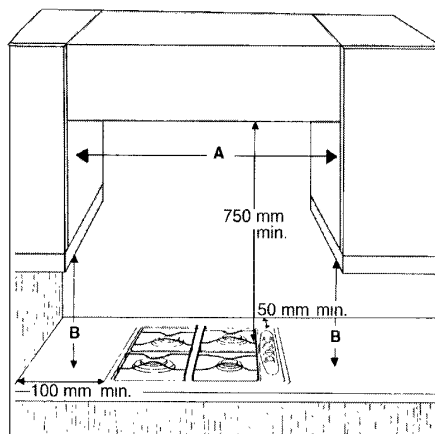
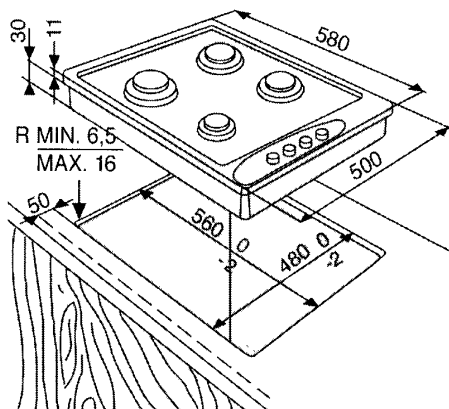
# Service Manual

## Gas hob

### AKM 260/IX

| <b>Model<br/>Version</b> |                              | <b>Page</b> |
|--------------------------|------------------------------|-------------|
|                          | AKM 260/IX<br>8571 260 49002 |             |
|                          | Technical data               | 2           |
|                          | Spare part list              | 3           |
|                          | Exploded view                | 4           |
|                          | Wiring diagram               | 5           |

**Technical data**



- 1. Removable panstand grids
- 2. Medium burner
- 3. Medium burner
- 4. Large burner
- 5. Small burner

Voltage: 230 V  
 Frequency: 50 Hz

5019 319 60091

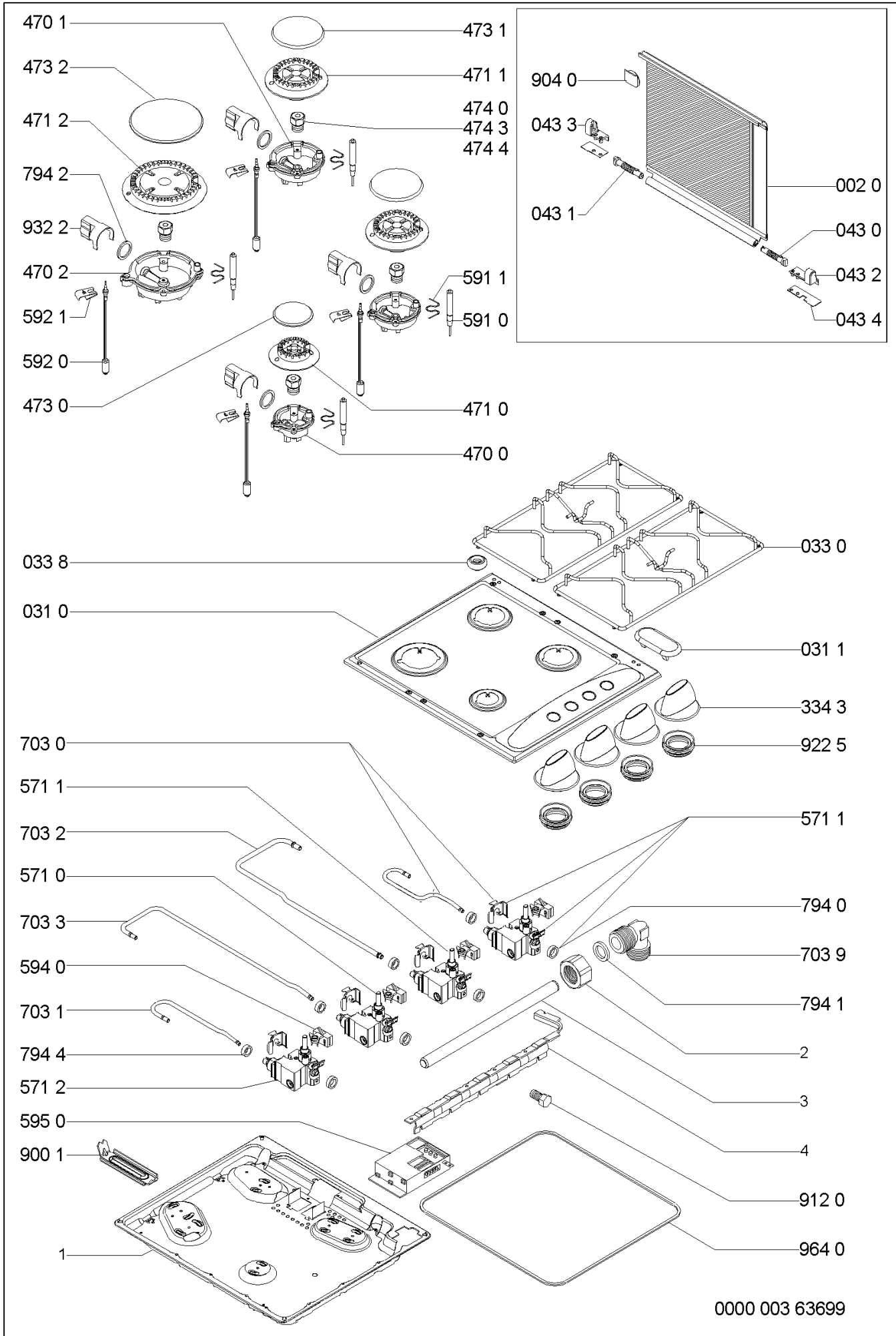
| Type of gas used     | Type of burner | Injector marking | Rated heat capacity (kW) | Total rated heat capacity (kW) | Gas pressure (kPa) |      |      |
|----------------------|----------------|------------------|--------------------------|--------------------------------|--------------------|------|------|
|                      |                |                  |                          |                                | min.               | rat. | max. |
| Natural gas<br>GZ-50 | large          | 128              | 2.35                     | 5.88                           | 1.6                | 2.0  | 2.5  |
|                      | medium         | 94               | 1.36                     |                                |                    |      |      |
|                      | small          | 76               | 0.89                     |                                |                    |      |      |
| Natural gas<br>GZ-35 | large          | 170              | 2.32                     | 5.93                           | 1.0                | 1.3  | 1.6  |
|                      | medium         | 130              | 1.36                     |                                |                    |      |      |
|                      | small          | 105              | 0.89                     |                                |                    |      |      |
| GPB<br>Propan-butan  | large          | 85               | 2.49                     | 6.38                           | 2.9                | 3.6  | 4.4  |
|                      | medium         | 65               | 1.50                     |                                |                    |      |      |
|                      | small          | 50               | 0.89                     |                                |                    |      |      |

## Spare part list

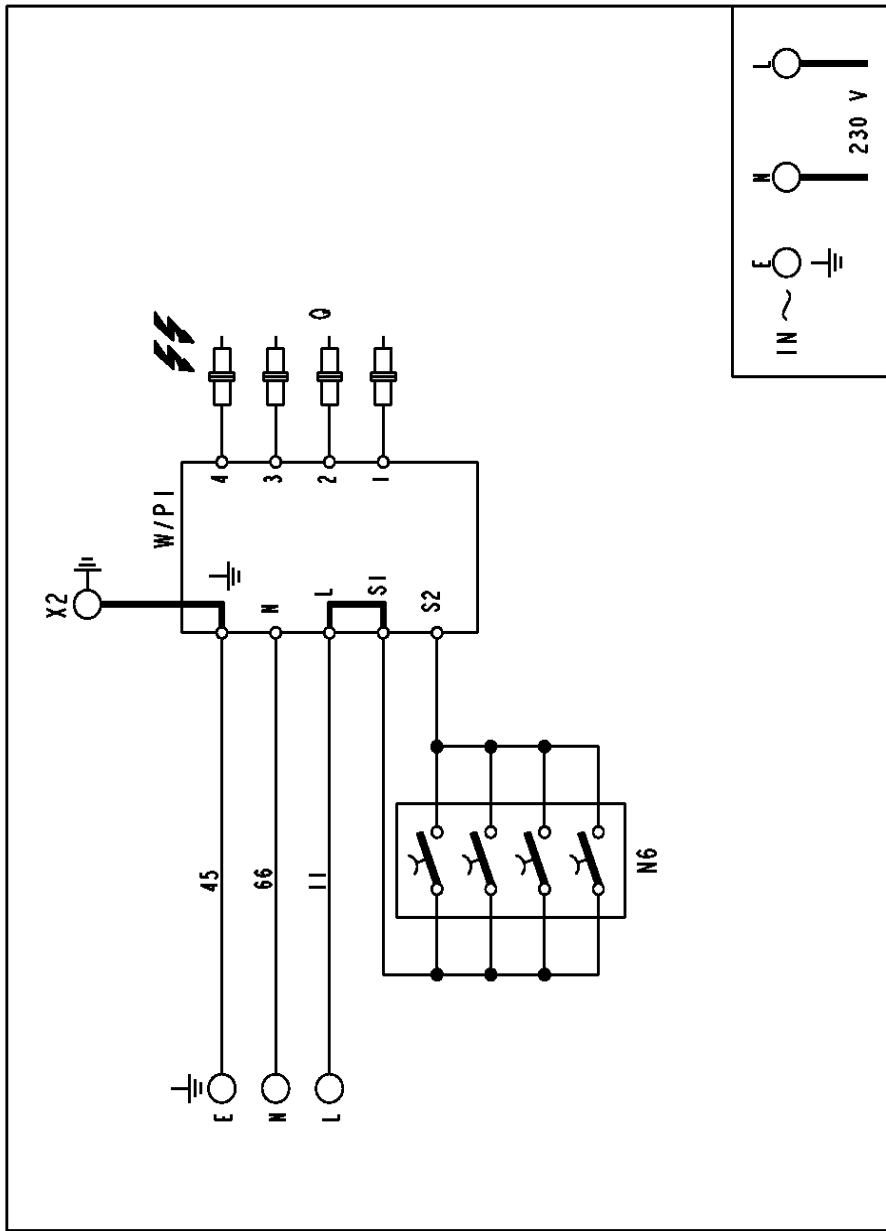
Model **AKM 260/IX**  
Service No. **857126049002**  
Version **857126049002**

| Pos. No. | 12NC Code             | Description                |
|----------|-----------------------|----------------------------|
| 002 0    | <b>4819 450 58183</b> | Lid black                  |
| 031 0    | <b>4812 440 38846</b> | Hob                        |
| 031 1    | <b>4812 462 28553</b> | Stopper                    |
| 033 0    | <b>4819 310 39799</b> | Grid for hob KIT           |
| 033 8    | <b>4819 468 18388</b> | Buffer piece grid          |
| 043 0    | <b>4819 417 19216</b> | Hinge right                |
| 043 1    | <b>4819 417 19217</b> | Hinge left                 |
| 043 2    | <b>4819 404 79318</b> | Bearing right              |
| 043 3    | <b>4819 404 79319</b> | Bearing left               |
| 043 4    | <b>4819 310 39437</b> | Washer set                 |
| 334 3    | <b>4819 411 29256</b> | Knob                       |
| 470 0    | <b>4819 360 69687</b> | Injector holder A          |
| 470 1    | <b>4819 360 69686</b> | Injector holder SR         |
| 470 2    | <b>4819 360 69688</b> | Injector holder R          |
| 471 0    | <b>4819 360 78396</b> | Burner A                   |
| 471 1    | <b>4819 360 78395</b> | Burner SR                  |
| 471 2    | <b>4819 360 78394</b> | Burner R                   |
| 473 0    | <b>4819 360 69682</b> | Lid burner A               |
| 473 1    | <b>4819 360 69681</b> | Lid burner SR              |
| 473 2    | <b>4819 360 69679</b> | Lid burner R               |
| 474 0    | <b>4819 310 39346</b> | Set of nozzles G20-20 mbar |
| 474 3    | <b>4812 310 38581</b> | Set of nozzles G30-29 mbar |
| 474 4    | <b>4812 310 38441</b> | Set of nozzles BO GZ 35    |
| 571 0    | <b>4812 360 58386</b> | Gas cock R 40 G20          |
| 571 1    | <b>4812 360 58387</b> | Gas cock SR 30 G20         |
| 571 2    | <b>4812 360 58388</b> | Gas cock A 26 G20          |
| 591 0    | <b>4819 252 68167</b> | Spark plug                 |
| 591 1    | <b>4819 492 68788</b> | Spring                     |
| 592 0    | <b>4812 138 38004</b> | Thermo couple              |
| 592 1    | <b>4819 492 68789</b> | Spring                     |
| 594 0    | <b>4819 271 38273</b> | Switch ignition            |
| 595 0    | <b>4819 145 78227</b> | Generator                  |
| 703 0    | <b>4812 530 48702</b> | Gas pipe RR                |
| 703 1    | <b>4812 530 48699</b> | Gas pipe FR                |
| 703 2    | <b>4812 530 48701</b> | Gas pipe RL                |
| 703 3    | <b>4812 530 48698</b> | Gas pipe FL                |
| 703 9    | <b>4819 310 39599</b> | Tube bend                  |
| 794 0    | <b>4812 466 88767</b> | Gasket                     |
| 794 1    | <b>4819 532 58229</b> | Gasket ring                |
| 794 2    | <b>4819 530 58065</b> | Gasket ring                |
| 794 4    | <b>4819 530 58098</b> | Gasket ring                |
| 900 1    | <b>4819 404 79506</b> | Bracket                    |
| 904 0    | <b>4819 468 18271</b> | Rubber inner               |
| 912 0    | <b>4819 502 18429</b> | Screw                      |
| 922 5    | <b>4819 530 58102</b> | Rubber, knob hole          |
| 932 2    | <b>4819 492 68831</b> | Spring                     |
| 964 0    | <b>4819 468 18278</b> | Gasket hob                 |

**Exploded view**



## Wiring diagram



- 00- BLACK
- 11- BROWN
- 22- RED
- 33- ORANGE
- 44- YELLOW
- 55- GREEN
- 66- BLUE
- 77- VIOLET
- 88- BLUE SKY
- 99- WHITE
- 09- WHITE-BLACK
- 29- WHITE-RED
- 49- WHITE-YELLOW
- 69- WHITE-BLUE
- 90- GREY
- 45- YELLOW-GREEN

- N6 : SPARK IGNITION SWITCH (UNDER KNOB)
- Q : SPARK IGNITION PLUG
- W/P1 : MAINS TERMINAL BLOCK/SPARK IGNITION
- X2 : COOKTOP EARTHING

4619 619 01921