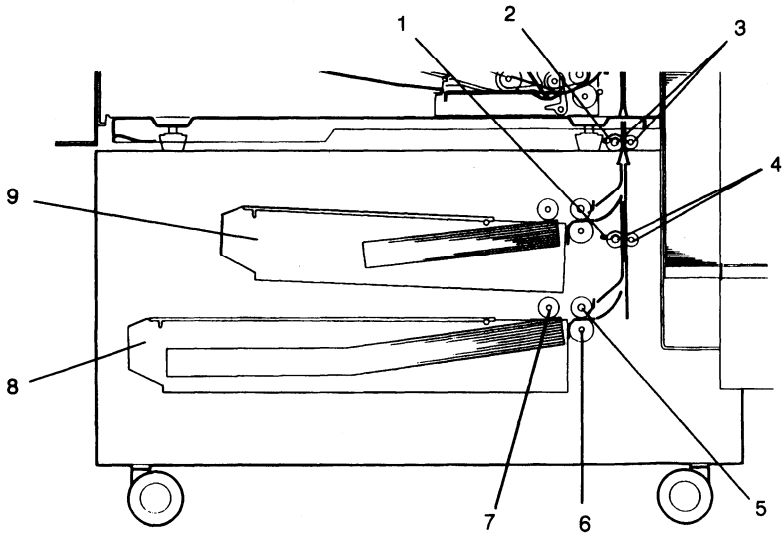


1. SPECIFICATIONS

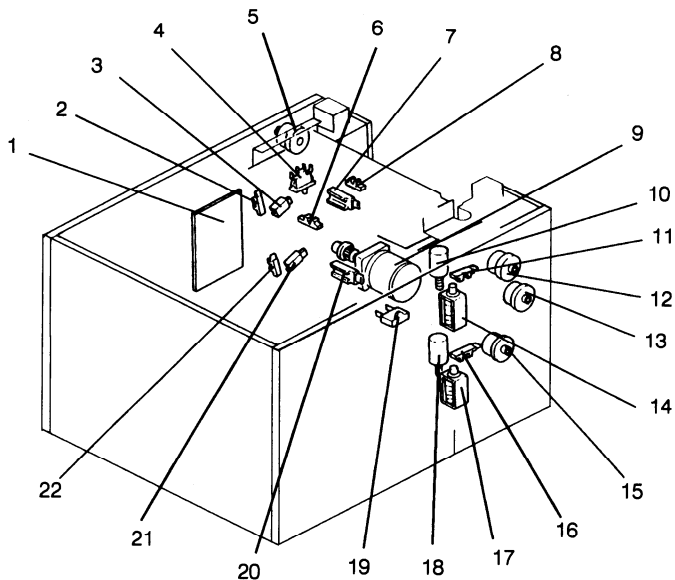
Copy Paper Size:	Maximum: A3 or 11" x 17" Minimum: B6 or 5½" x 8½"
Copy Paper Weight:	50 g to 110 g (14 lb to 28 lb)
Paper Capacity:	Two universal cassettes holding about 500 sheets each
Paper Feed System:	Feed and reverse roller (FRR)
Power Source:	100 V, 50 Hz/60 Hz, 0.6 A
Power Consumption:	Maximum: 60 W
Dimensions:	745 mm x 447 mm x 612 mm (W x D x H) (30.4") (18.2") (25")
Weight:	19 kg

2. MECHANICAL COMPONENT LAYOUT



1. Third Relay Sensor
2. Second Relay Sensor
3. Second Relay Rollers
4. Third Relay Rollers
5. Paper Feed Roller
6. Separation Roller
7. Pick-up Roller
8. Fourth Cassette
9. 3rd Cassette

3. ELECTRICAL COMPONENT LAYOUT



- | | |
|----------------------------------|-----------------------------------|
| 1. Cassette Bank PCB | 12. 3rd Paper Feed MC |
| 2. 3rd Cassette Paper End Sensor | 13. 3rd Feed Relay MC |
| 3. 3rd Paper Volume Sensor | 14. 3rd Pick-up SOL |
| 4. Right Door Safety Switch | 15. 4th Paper Feed MC |
| 5. 2nd Feed Relay MC | 16. 4th Lift Sensor |
| 6. 3rd Relay Sensor | 17. 4th Pick-up SOL |
| 7. 3rd Paper Size Sensor | 18. 4th Lift Motor |
| 8. 2nd Relay Sensor | 19. Cassette Bank Motor Capacitor |
| 9. Cassette Bank Motor | 20. 4th Paper Size Sensor |
| 10. 3rd Lift Motor | 21. 4th Paper Volume Sensor |
| 11. 3rd Lift Sensor | 22. 4th Cassette Paper End Sensor |

4. OVERVIEW

This unit adds two additional universal cassettes (500 sheets each), which are the third and fourth cassettes, to the copier.

Both the third and fourth paper feed stations have an FRR (Feed and reverse roller) mechanism which is similar to the feed system of the copier, except for the following items.

1. Both third and fourth cassette bottom plates can be lowered mechanically to load paper without removing the cassettes.
2. The pick-up, paper feed, and separation rollers are driven by the bank motor (an ac motor) via the third and fourth paper feed clutches and gears.

The second and third relay rollers transport paper to the registration rollers of the copier. They are driven by the bank motor. The second and third relay sensors monitor the paper feed timing.

To facilitate loading paper and removing misfed paper, the following four mechanisms are included in the bank.

1. Front Loading Mechanism

The paper supply unit can be pulled all the way out. This mechanism makes paper loading and misfeed removal easy.

2. Right Cover

Misfed paper remaining in between the bank and copier can be removed by opening this cover.

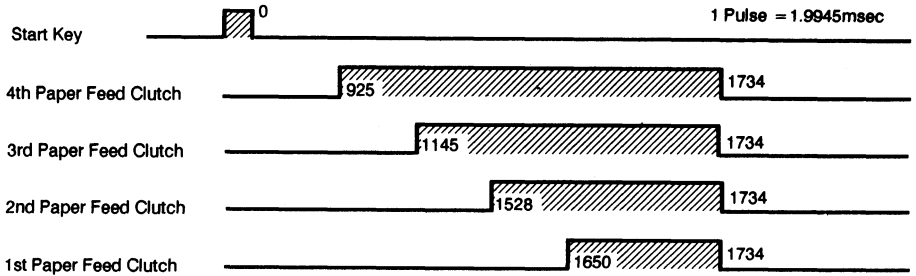
3. Slide Mechanism

When the LCT is installed on the right side of the bank, it is impossible to open the right cover for misfeed removal. The slide mechanism, however, slides the paper supply unit to the left (after pulling the paper supply unit all the way out) for removal of misfed paper.

4. Second Relay Roller Drive Mechanism

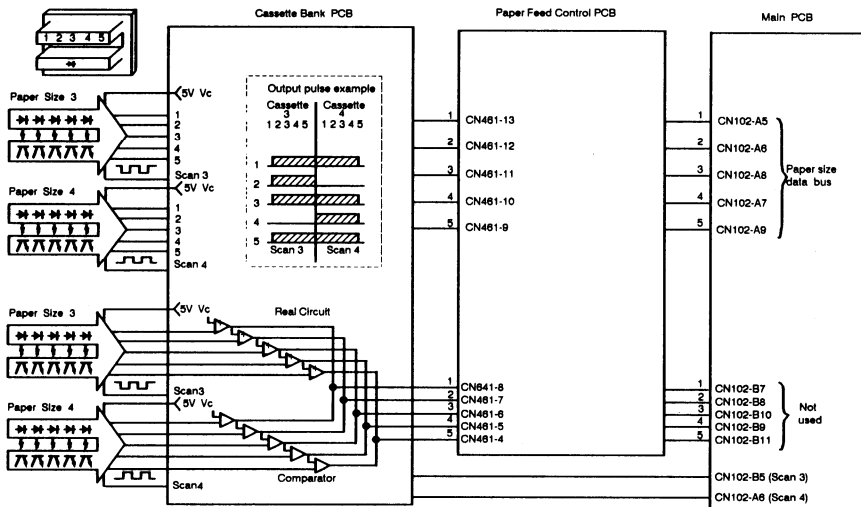
This mechanism allows you to manually rotate the second relay roller to remove the misfed paper.

5. PAPER FEED CLUTCH ON TIMING



The paper path length from each paper feed station to the registration rollers is different. For this reason, the paper feed magnetic clutch on timing for each paper feed station is different.

6. PAPER SIZE AND VOLUME SENSORS



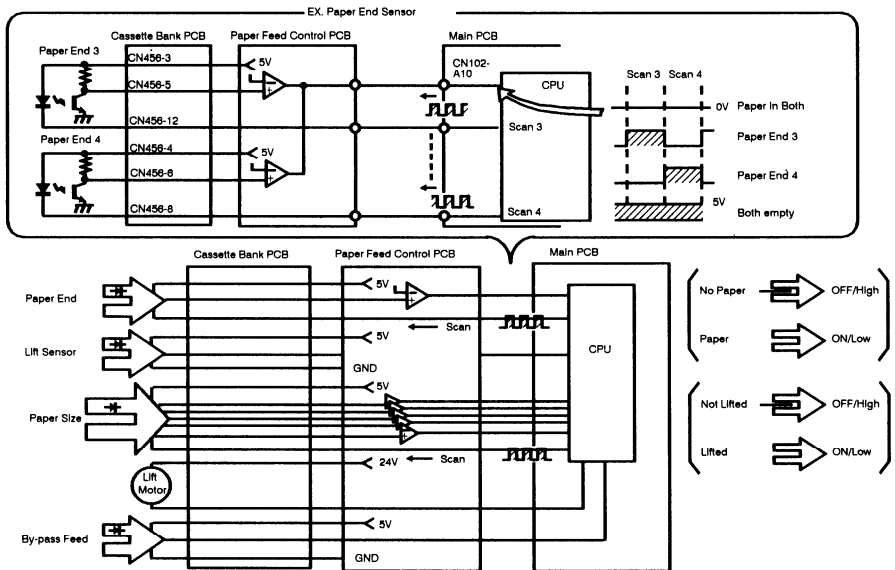
The CPU sends separate scan pulses (SCAN 3, 4) to the corresponding sensors of the cassette bank. The output of this group of sensors for all cassettes can be monitored by one data bus because the scan pulses are sequential, allowing the CPU to determine which cassette information is being received.

In the above diagram, two example actuator plates are shown. The actuator plates in cassette 3 and cassette 4 paper size sensors in the cassette bank have notches in the fourth and second positions respectively. Where there are notches, the photointerruptors remain activated (0 volts). Thus, when scan line 3 is high, bit 4 of the data bus remains LOW; when scan line 4 is high, bit 2 of the data bus remains LOW. The CPU monitors the data bus at the appropriate time to determine the paper size in cassettes 3 and 4 of the cassette bank.

Signals from the volume sensors are sent to the copier main PCB through the cassette bank PCB and the paper feed control PCB; however, the copier operation panel will not indicate how much paper remains in the cassettes.

7. LIFT MOTOR CONTROL AND PAPER END DETECTION

7.1 LIFT MOTOR CONTROL



The paper size sensor is also used as a cassette set sensor. When the paper size actuator plate is inserted into the paper size sensor, certain photointerruptors turn off (0 volts to 5 volts). After receiving a 5-volt signal through the paper size data bus, the CPU turns on the lift motor.

The CPU energizes the lift motor until the lift sensor is de-actuated. When the lift sensor is de-actuated, the photointerruptor is ON and its output drops from 5 volts to ground. After receiving the 0 volt signal, the CPU turns off the lift motor.

7.2 PAPER END DETECTION

After the last sheet of paper from a cassette has been fed, the Load Paper indicator lights. Photointerruptors are used for the third and fourth paper end sensors. When either one of the sensors is actuated, the photointerruptor turns off (0 volts to 5 volts). The CPU detects paper end by monitoring the output of these sensors.

As with the paper volume and paper size sensors, the CPU uses the same scan pulses to monitor these sensors.

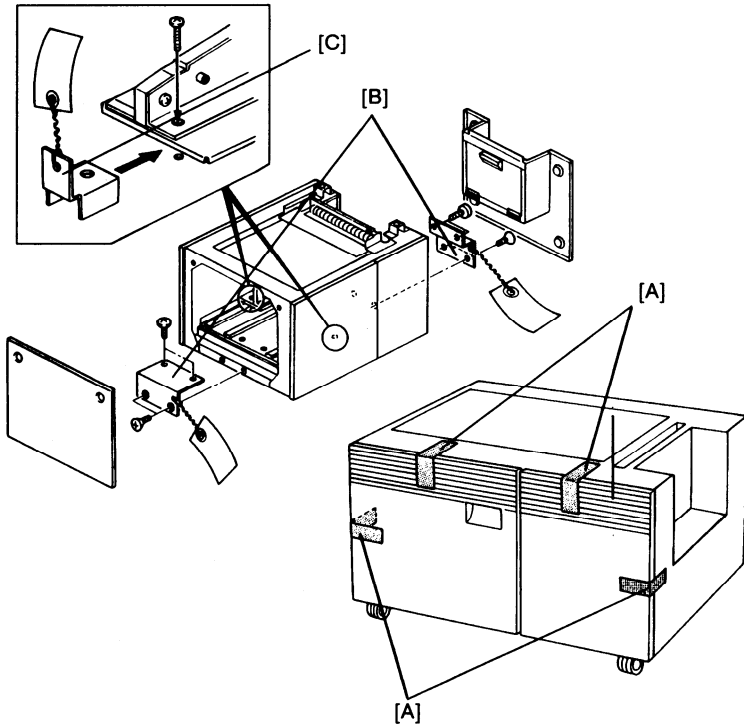
8. INSTALLATION

8.1 Accessory Check

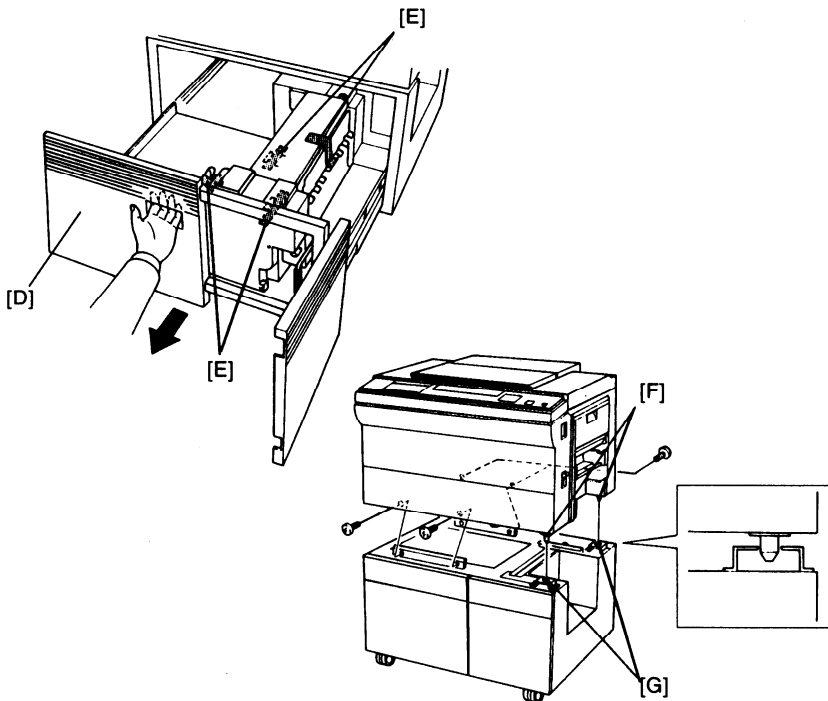
Check the quantity and condition of the accessories in the box according to the following list:

- | | |
|--|---|
| 1. Relay Rollers Drive Ass'y | 1 |
| 2. Screw - M4 x 8 | 6 |
| 3. Multiple Language Decal (220/240V only) | 1 |
| 4. NECR | 1 |
| 5. Envelope - NECR (115V only) | 1 |

8.2 Installation Procedure

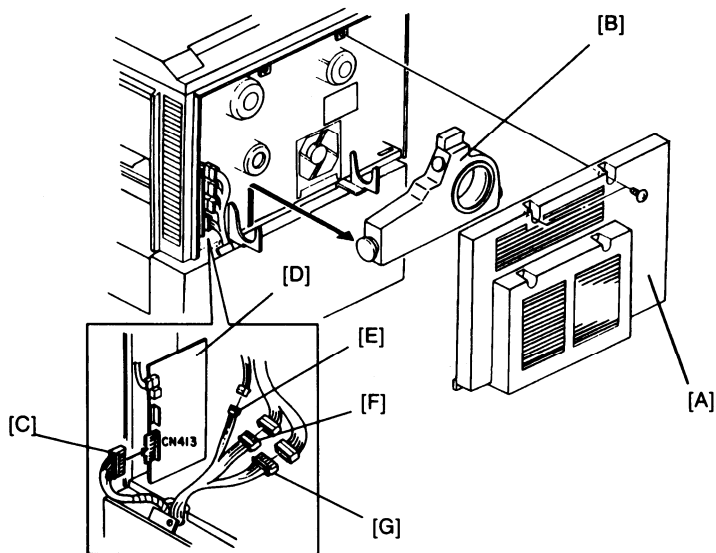


1. Remove the external strips of tape [A]. Remove the right cover (4 screws) and the left cover (2 screws), then remove the right and left retainers [B] (4 screws each) and the front and rear retainers [C] (1 screw each) from the paper feed unit.

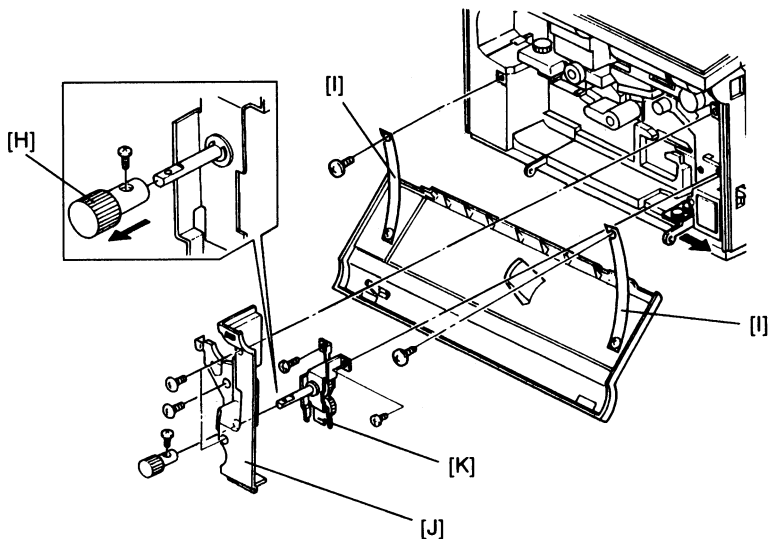


2. Pull the drawer [D] all the way out, and remove the strips of tape [E].
3. Dock the copier to the cassette bank so that the pins of the copier [F] are inserted into the positioning holes [G] of the cassette bank. Then, secure the copier to the cassette bank (4 screws).

CAUTION: Be careful not to crush the copier harness and the copier cassette bank.



4. Remove the copier rear cover [A] (2 screws) and the toner collection bottle [B].
5. Connect the 14P connector [C] of the cassette bank to CN413 on the paper feed control board [D] of the copier. Connect the free connectors of the cassette bank to the free connectors of the copier (Red 2P [E] & Red 8P [F], White 10P [G]).



6. Remove the knob [H] from the relay roller drive assembly (1 screw). Remove the support straps [I] (1 screws each), the copier front cover (2 knob screws).
7. Remove the right inner cover [J] (4 screws), and install the relay roller drive assembly [K] (2 screws).
8. Reinstall the right inner cover and the knob.
9. Check the operation of the cassette bank and the copier system.
10. Fill out the New Equipment Condition Report.