

AMM 20 BI

Installation Manual

Microwave Oven



Before using the microwave, please carefully read this manual.

DEAR CUSTOMER,

Please read this manual carefully before you start to use this microwave. This way, you can ensure its proper and correct operation.

Please preserve this manual and store it near the appliance, so that it is available at all times for reference.

Observe the instructions contained herein to prevent accidents.



Before using the microwave, please carefully read this manual. Store it in such a place, so that it may be used in future. Please follow the instructions to ensure many years of reliable operation of your oven.

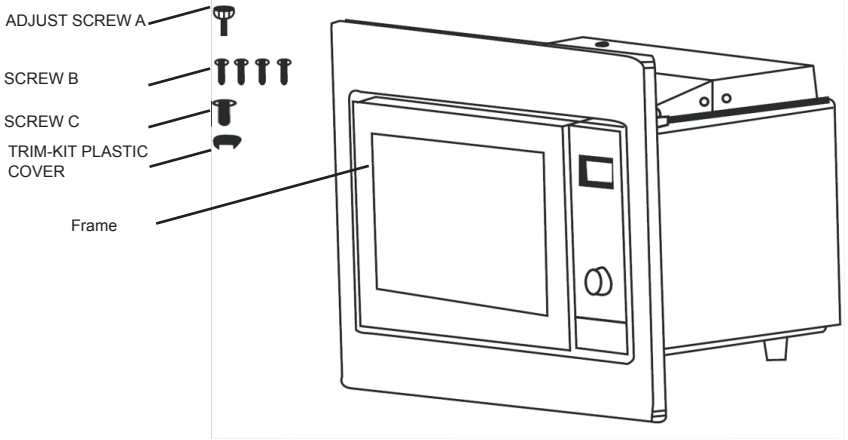


Important!

The appliance is designed for household use only.

The manufacturer reserves the right to introduce changes which do not affect the operation of the appliance.

EQUIPMENT

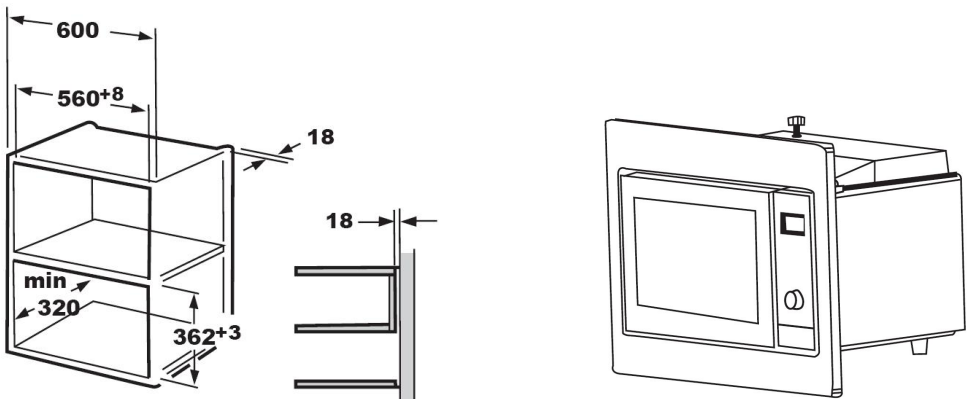


Electrical connection

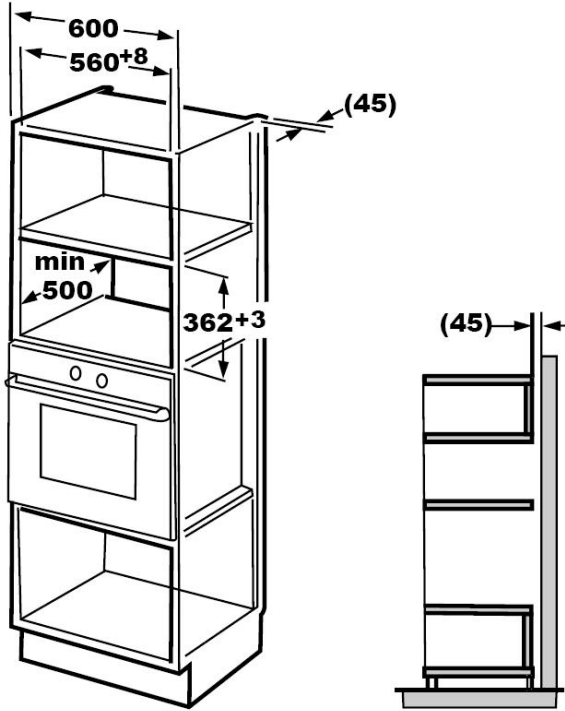
The oven is fitted with a plug and must be only connected to a properly installed earthed socket. In accordance with the appropriate regulations, the socket must only be installed and the connecting cable must only be replaced by a qualified electrician. If the plug is no longer accessible following installation and all-pole isolating switch must be present on the installation side with a contact gap of at least 3mm.

BUILT-IN FURNITURE

The built-in cabinet shall not have a rear wall behind the appliance.
Minimum installation height is 85cm.
Do not cover ventilation slots and air intake points.

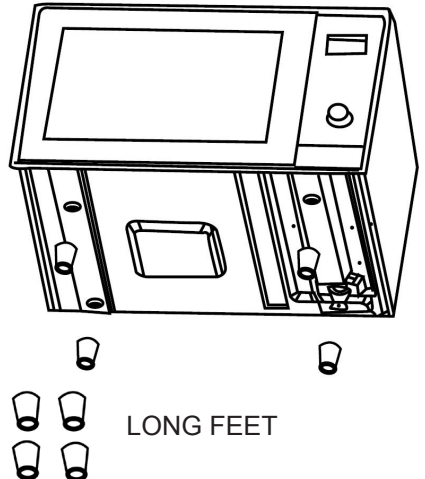


BUILT-IN FURNITURE

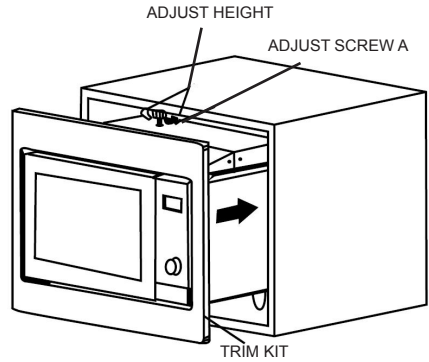
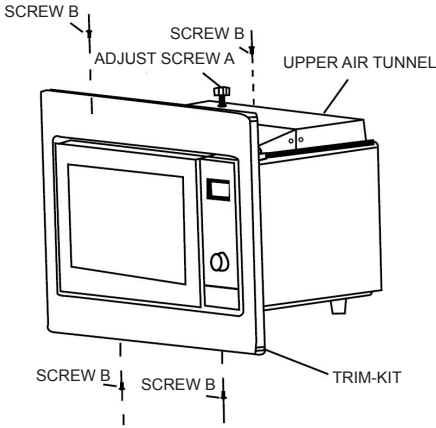


3. INSTALL THE OVEN

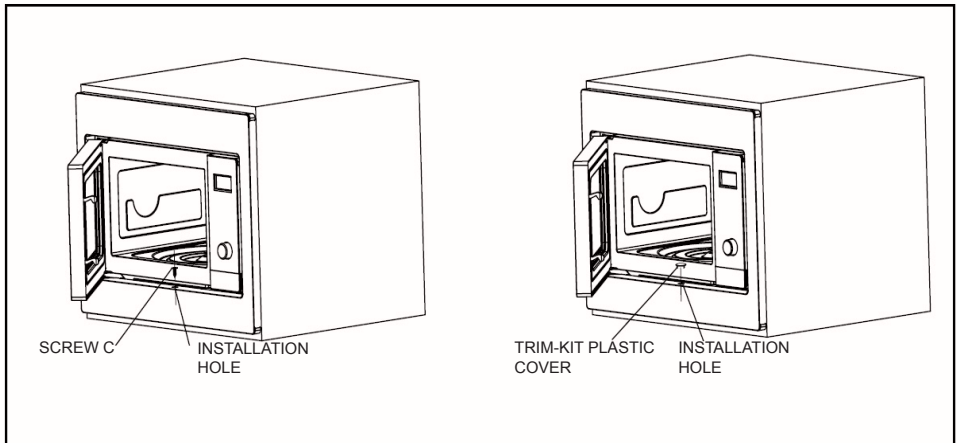
a) Turn over the oven and install LONG FEET provided in the accessory package.



INSTALL THE OVEN



- b) Fix ADJSUT SCREW A on the UPPER AIR TUNNEL of the oven, and fix the TRIM KIT with SCREW B. Then install the oven into the cabinet. Make sure that the upper side gap between the TRIM KIT and the oven is the same as the bottom side. Make sure that the minimum left side gap between the TRIM KIT and the oven is at least 9 mm. Adjust the height of ADJUST SCREW A to keep 1 mm gap between the ADJUST SCREW A and the top plane of cabinet. Do not trap or kink the power cord.



- c) Open the door; fix the oven in the cabinet with SCREW C at the INSTALLATION HOLE of TRIM KIT. Then fix the TRIM-KIT PLASTIC COVER to the INSTALLATION HOLE.

