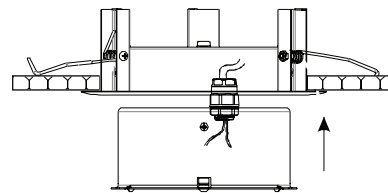
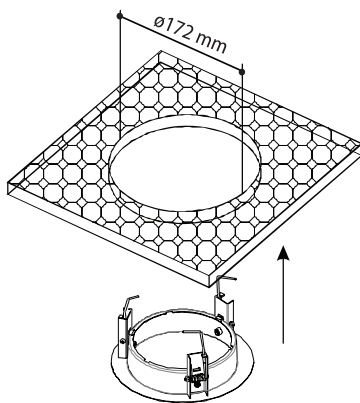
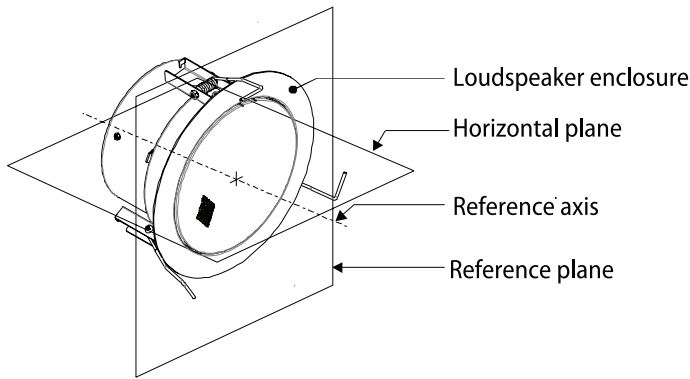
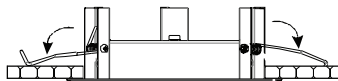


EN54-24:2008  
0359-CPD-0213  
TYPE A

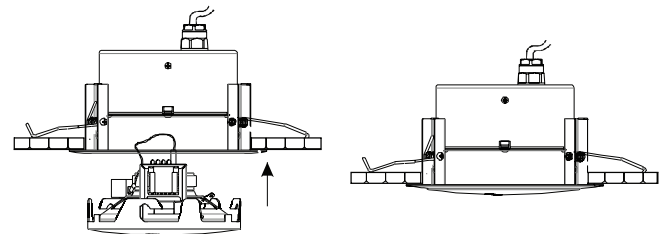


4) Push up the fire dome until it lock's.

1) Cut 172 mm diameter hole in the ceiling. Remove the grill with speaker body rotating anticlockwise with two 1 mm rods and pull it out from the speaker enclosure. Put in EVAC 5EN speaker enclosure into cut hole.

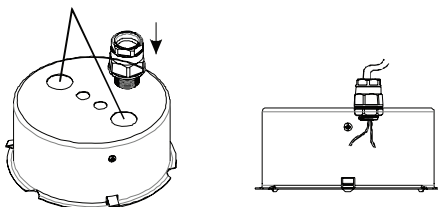


2) Relieve the spring mounting holders to fix the loudspeaker enclosure into the ceiling.

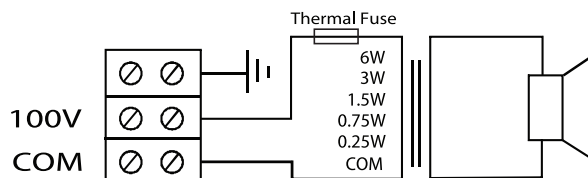


5) Connect cable with ceramic terminal and set up required power output on the line transformer. Push the grill with the speaker in to enclosure and rotate it clockwise until resistance appears.

Choose one of these holes



3) Punch the hole in fire dome, screw the cable gland and pass through it the cable.



**EVAC 5EN Circuit Diagram**