
Operator Manual ***SR85/CF85 COVER FEEDER***

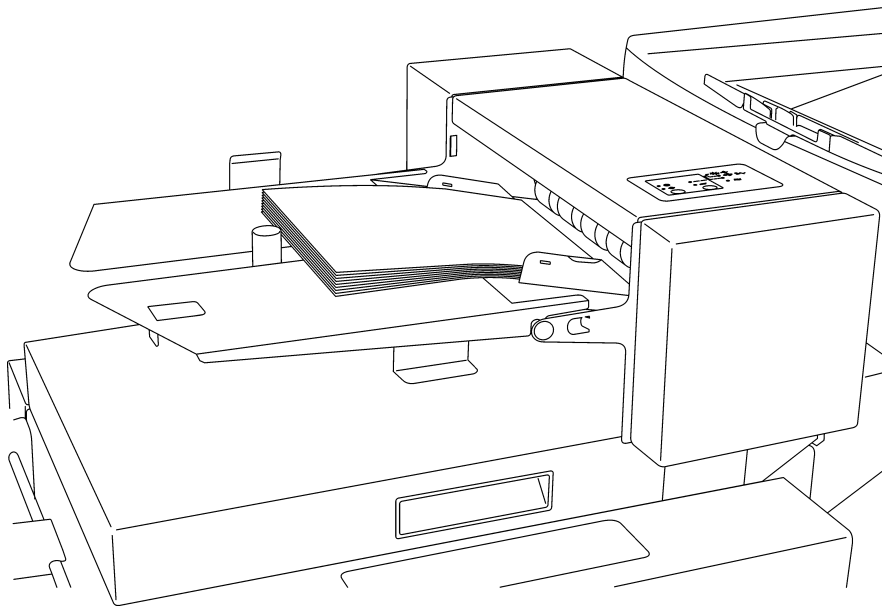


Table of contents

1. Introduction	page
1.1 Operational safety	1-1
2. Getting to know the Cover Feeder	
2.1 Main components	2-1
2.2 The control panel	2-3
3. Operating modes	
3.1 The Online/Offline mode	3-1
3.2 The Operating modes	3-1
3.3 Indications	3-2
4. Operator instructions	
4.1 Load paper	4-1
4.2 Loading paper during run	4-1
4.3 Set the first job	4-2
5. Maintenance	
5.1 Cleaning of Feed roller and Separator pad	5-1
6. Clearing Jams	
6.1 Clearing jams in vertical transport area	6-1
7. Problem solving	
7.1 Problem solving	7-1
8. Specifications	
8.1 Specifications	8-1

1. Introduction

1.1 Operational safety

Attention to the following notes ensures the continued safe operation of your equipment.

Always connect the equipment to a properly grounded power source receptacle. In doubt, have the receptacle checked by a qualified electrician.

WARNING: Improper connection of the equipment grounding conductor can result in electrical shock.

Always follow all warnings marked on, or supplied with, the equipment.

Always locate the equipment on a solid support surface with adequate strength for the weight of the machine.

Always exercise care in moving or relocating the equipment.

Always keep magnets and all devices with strong magnetic field away from the machine.

Never use a ground adapter plug to connect the equipment to a power source receptacle that lacks a ground connection terminal.

Never attempt any maintenance function that is not specifically described in this documentation.

Never remove the covers or guards that are fastened with screws.

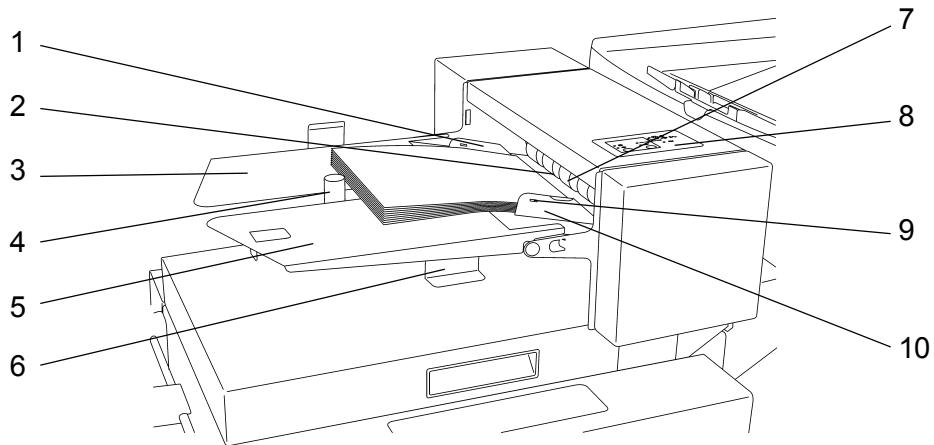
Never install the unit near a radiator or any other heat source.

Never override or “cheat” electrical or mechanical interlock devices.

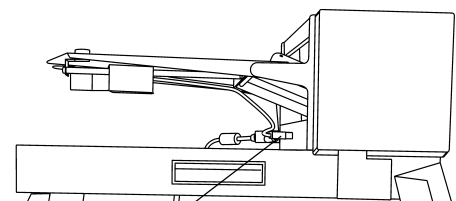
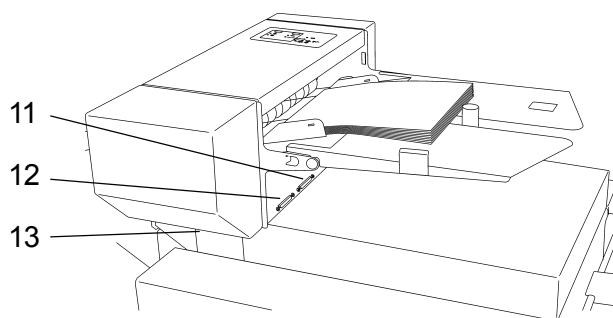
Never operate the equipment if you notice unusual noises or odours. Disconnect the power cord from the power source receptacle and call your customer service engineer to correct the problem.

2. Getting to know the Cover Feeder

2.1 Main components

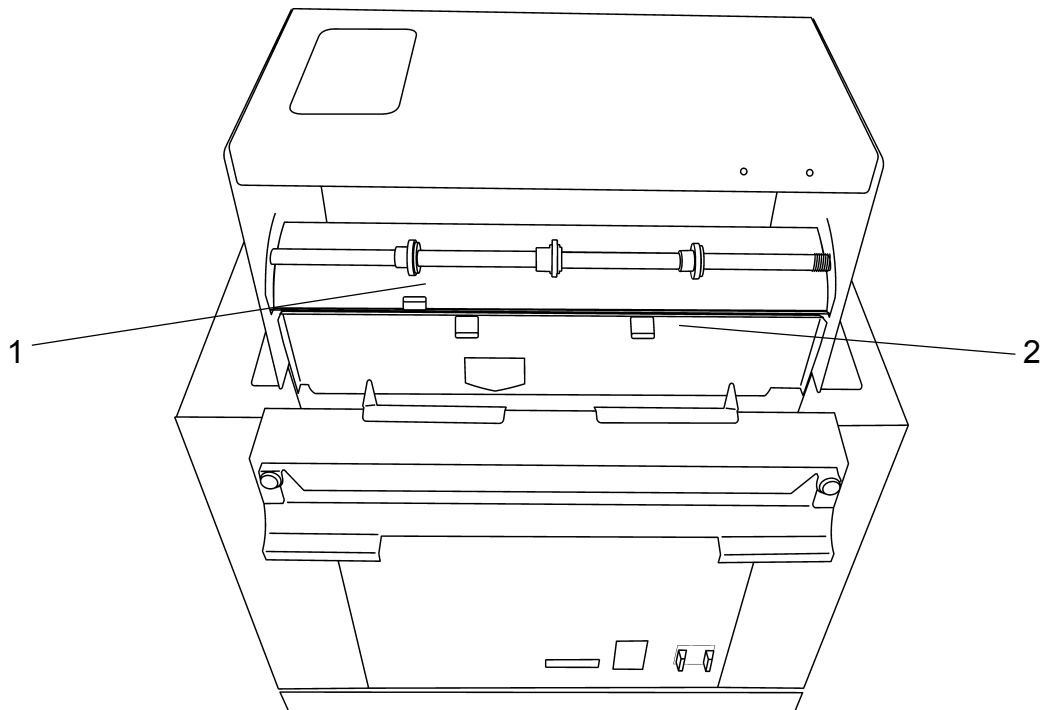


- | | | | |
|----|--------------------------|-----|-------------------------------------|
| 1. | Rear side guide | 7. | Feed roller assembly |
| 2. | Paper separator pad | 8. | Control panel |
| 3. | Bin extension plate | 9. | Loading capacity mark |
| 4. | Air nozzle | 10. | Front side guide and Loading handle |
| 5. | Paper orientation label | | |
| 6. | Length adjustment handle | | |



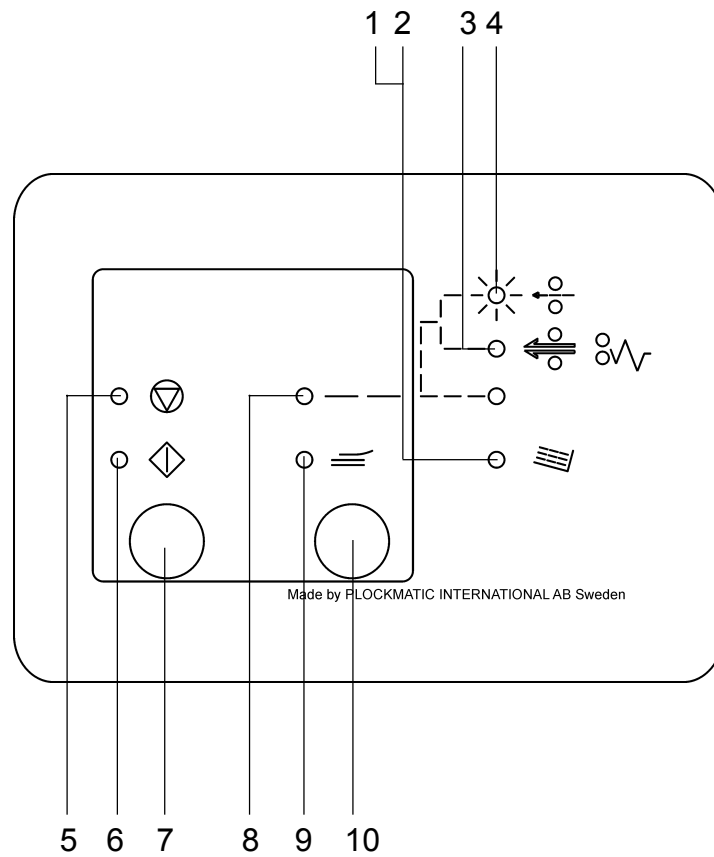
- | | |
|-----|-------------------------------|
| 11. | Copier finisher connector |
| 12. | Booklet maker connector |
| 13. | Power Supply connector |
| 14. | Bin extension plate connector |

2.1 Main components, continues



1. Upper paper path
2. Jam clearance baffle

2.2 The control panel



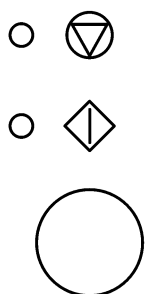
1. Flashing light, Bin low detection
2. Constant light, Empty Paper Bin detection
3. Constant light, Double feed detection or Paper jam indication
4. Flashing light, Missfeed detection
5. Offline
6. Online
7. Online/Offline button
8. Single sheet mode
9. Copier cover mode
10. Operating select button

3. Operating modes

The Cover Feeder can be operated in two modes. It is possible to select two Operating modes. In this section we will explain the modes and how they are selected.

3.1 The Online/Offline mode

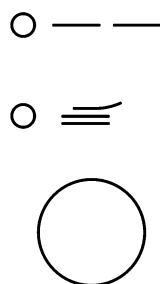
The two modes are:



- 1. Online mode**
The Online mode is selected on a unit, that is to operate together with a copier as an on-line system.
The Online mode is set by pressing the Online/Offline button on the Control panel, and is shown by the Online indicator-LED.
- 2. Offline mode**
The Offline mode is selected to run booklets without covers.
The Offline mode is set by pressing the Online/Offline button on the Control panel, and is shown by the Offline indicator-LED.

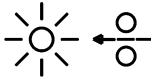


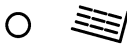
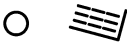
3.2 The Operating modes

The two Operating modes are:



- 1. Single sheet mode**
When selecting this mode by pressing the Operating select button. It is possible to run the Cover Feeder and the Booklet maker without the copier. The Cover Feeder will automatically feed one sheet at a time to the Booklet maker.
- 2. Copier cover mode**
When selecting this mode by pressing the Operating select button. It is possible to run the Cover Feeder together with the Booklet maker and the copier as an on-line system. The Cover Feeder will automatically feed one cover at a time together with the set from the copier to the Booklet maker.

3.3 Indications

LED-INDICATION	PROBLEM DESCRIPTION	INDICATED BY LEDs	NOTES
Flashing light	Misfeed detection		
Constant light	Double sheet detected		<p>Can be caused by:</p> <p>Double sheets</p> <p>Reduced paper feed capability</p>
Constant light	Jam detected		Paper jam
Flashing light	Bin low detection		
Constant light	Empty bin detection		

4. Operator instructions

4.1 Load paper

- 1 Make sure that the sheets are well fanned to avoid missfeeds or double-feeds.
- 2 Align the sheets well to achieve a reliable collating operation and good finishing result.
- 3 Make sure that the ink has dried out well, to avoid smearing.
- 4 Load the covers into the paper bin.
- 5 Move the adjustable side guide up against the sheets until there is no clearance.
- 6 Move the adjustable Air nozzle, so that the green stripe on the Air nozzle bracket is level with the paper stack.

4.2 Loading paper during run.

- 1 When the Bin low detection LED is flashing, it is possible to load paper while the machine is running. Wait until the Cover Feeder has fed a cover. Press the green label on the front side guide. Slide the new covers in place under the existing covers in the paper Bin.

4.3 Set the first job

- 1 Set the Online/Offline button to Online position.
- 2 The Cover Feeder will prefeed the first cover to be ready for the first set from the copier.
- 3 Send a set from the copier, and the Cover Feeder will automatically feed covers to the sets.
- 4 The Cover Feeder will automatically stop sending covers when the copier is not sending any sets. To stop the fan on the Bin extension plate, press the Online/Offline button.

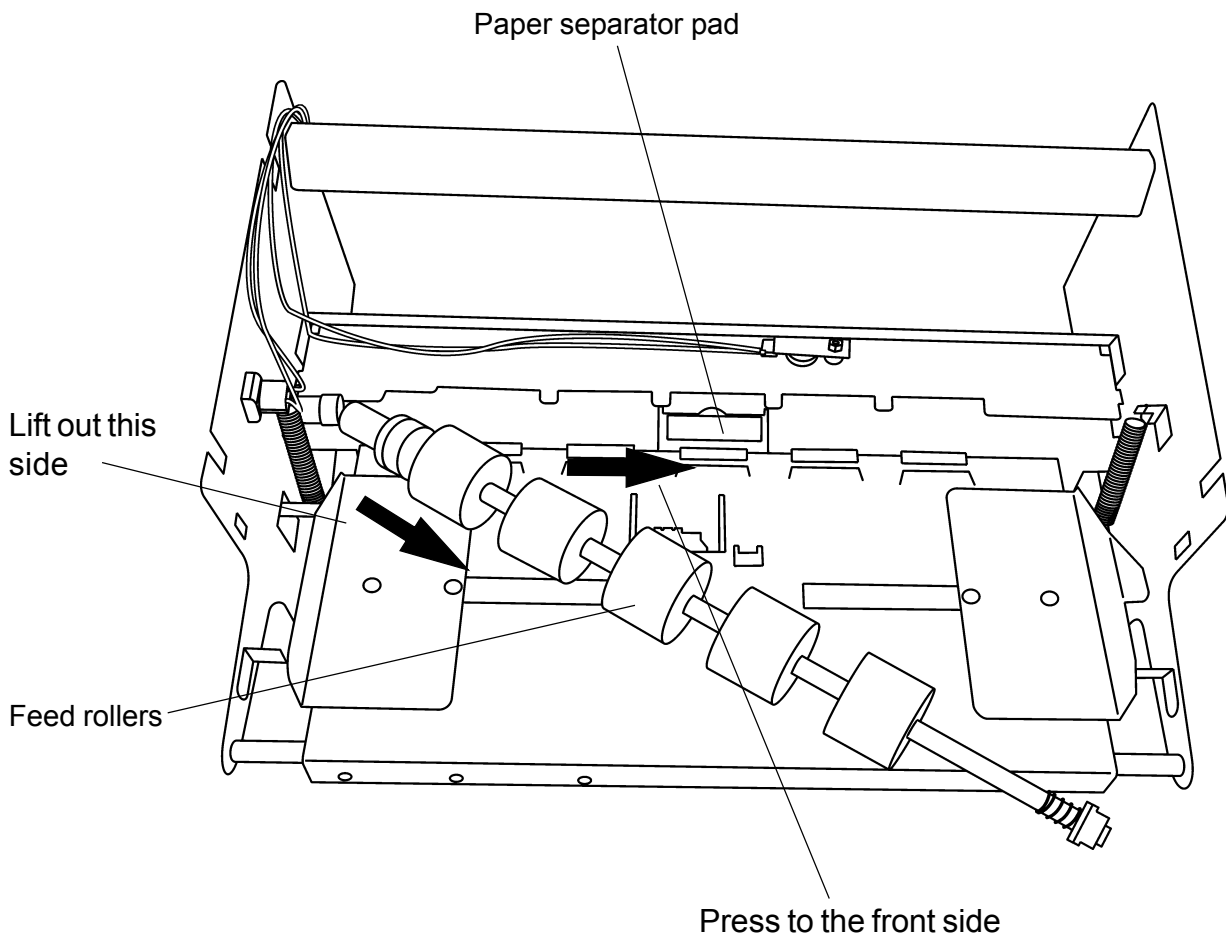
5. Maintenance

5.1 Cleaning feed rollers and paper separator pad

The Feed rollers need to be cleaned if the unit has not been used for a period of time, and cleaned regularly when in use. How often this should be done, depends on paper type and print quality.

An increasing number of missfeeds is one indication of the need to clean.

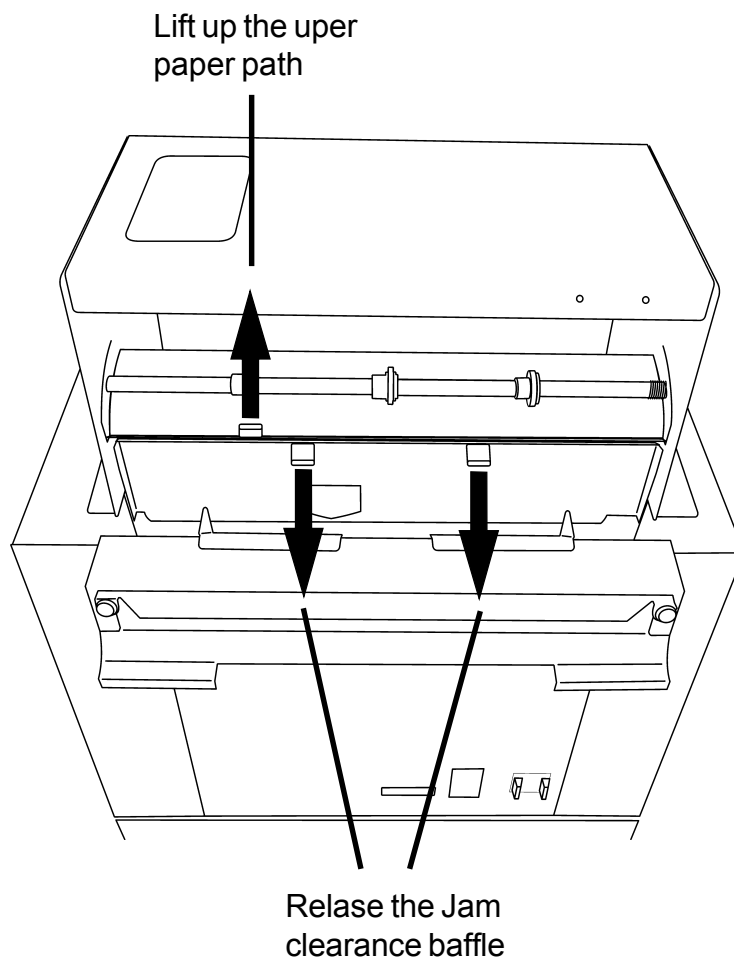
- 1 Remove the feed roller assembly by pressing it to the right side. The left end of the feed roller assembly will now be released and the assembly can be removed.
- 2 Clean the Feed rollers and the Paper separator pad with rubber reactivator fluid.



6. Clearing Jams

6.1 Clearing jams in vertical transport area

- 1 If a jam should occur in the vertical transport area, undock the Booklet maker then lift up the upper paper path, and release the Jam clearance baffle. Remove the jammed cover.
- 2 Press the Online/Offline button twice, to set the Cover Feeder to Operational mode.



7. Problem solving

7.1 Problem solving

PROBLEM	POSSIBLE CAUSES	ACTION
The machine is inoperative as the Online/Offline button is pressed.	Machine in jam condition. Empty Paper Bin. SR85 or Copier shut down.	Clear jam. Load paper Correct the problem in the SR85 or the Copier.
Repeated Misfeeds / Double feed	Feed rollers need cleaning. Paper separator pad needs cleaning. Sheets are not fanned enough. (Ink / powder / cutting burres etc. will make this a very important step). Paper quality out of specification.	Check / clean according to 5.1 Check / clean according to 5.1 Check / fan sheets Check
Incorrect Double feed / Jam indication	Different paper quality or print impression in the bin, since previous calibration. Mixed sheets (mixed paper qualities)	You have to select Offline before collating different paper qualities. The Cover Feeder will automatically perform a calibration when the first cover is fed. Check the sheets.

8. Specifications

8.1 Specifications

Number of bins	1
Bin capacity	20 mm
Length range	279 - 457 mm / 11" - 18"
Width range	210 - 320 mm / 8,25" - 12,6"
Paper weight, minimum	70 gsm / 19 lb
Paper weight, maximum	200 gsm / 110 lb
Double feed detection	Yes
Missfeed detection	Yes
Empty bin detection	Yes
Bin low detection	Yes
Height installed on SR85	1003 mm / 39,5 "
Width installed on SR85	1378 mm/ 54,3"
Depth installed on SR85	595 mm/ 23,4"
Weight	12,5 kg / 24,5 lb
Voltage	230V / 240V / 50 Hz 115V / 60 Hz