



INSTALLATION AND OPERATING INSTRUCTIONS FOR FOOT CONTROL / BENCH MOUNT BRACKET

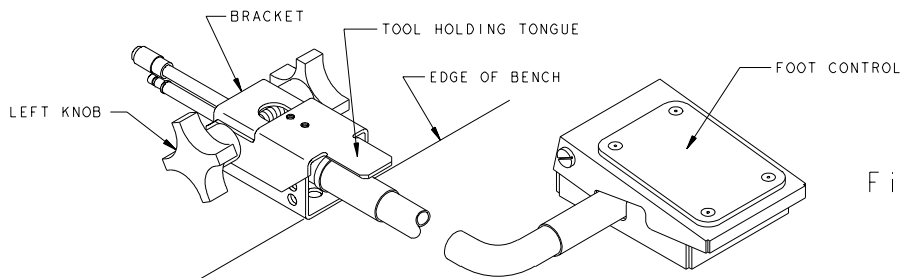


Figure 1

1. BRACKET INSTALLATION:

BE SURE TO INSTALL MOUNTING BRACKET ON EDGE OF WORK BENCH. LOOSEN LEFT KNOB ON BRACKET AND ROTATE TOOL HOLDING TONGUE OUT OF THE WAY TO GAIN ACCESS TO MOUNTING HOLES ON BOTTOM OF BRACKET. LINE UP FRONT OF BRACKET WITH EDGE OF WORK BENCH. USE PENCIL TO MARK MOUNTING HOLE LOCATIONS. USE TWO 5/16 BOLTS TO HOLD BRACKET IN PLACE PERMANENTLY. PLACE FOOT CONTROL ON FLOOR WITH RUBBER PAD FACING UPWARDS. SEE FIGURE 1 FOR REFERENCE.

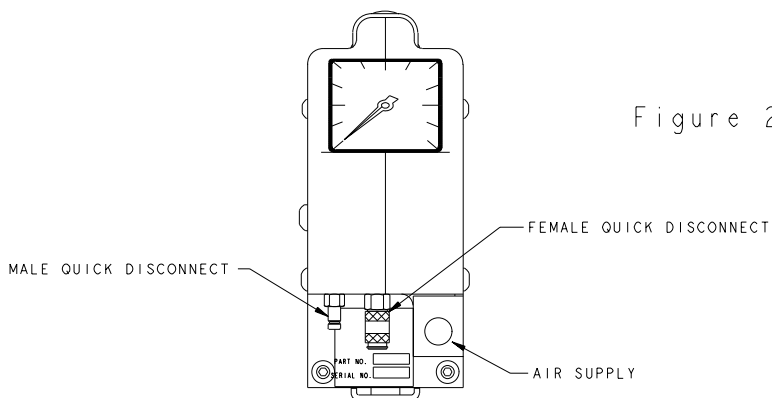


Figure 2

2. CONVERSION OF TOOL:

DISCONNECT TOOL FROM AIR SUPPLY. REMOVE PLUG, AND REPLACE WITH FEMALE QUICK DISCONNECT AT LOCATION SHOWN IN FIGURE 2. SCREW MALE QUICK DISCONNECT INTO REMAINING TAPPED HOLE. BE SURE TO INSTALL FEMALE QUICK DISCONNECT WITH KNURLED SLEEVE IN TAPPED HOLE NEXT TO AIR SUPPLY LINE.



BAND-IT-IDEX, INC.
A Unit of IDEX Corporation

INSTALLATION AND OPERATING INSTRUCTIONS FOR FOOT CONTROL / BENCH MOUNT BRACKET

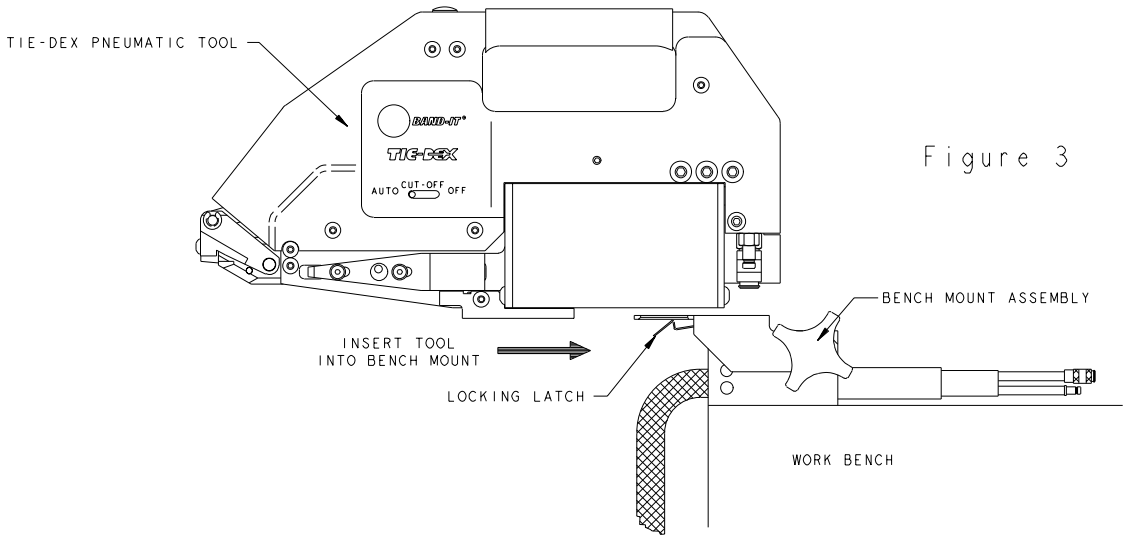


Figure 3

3. FOOT CONTROLLED OPERATION OF TOOL:
ADJUST TOOL HOLDING TONGUE INTO HORIZONTAL POSITION. LINE UP OPENING ON BOTTOM OF TOOL WITH TOOL HOLDING TONGUE AND PRESS TOOL BACK UNTIL LOCKING LATCH CLIPS INTO POSITION. PRESS QUICK DISCONNECTS INTO BACK OF TOOL. ADJUST TOOL INTO DESIRED ANGLE AND RE-TIGHTEN LEFT KNOB. REAPPLY AIR PRESSURE TO TOOL, AND CHECK PROPER PULL-UP PRESSURE ON BUILT-IN GAUGE. TEST PROPER OPERATION OF TOOL BY PRESSING DOWN ON FOOT PEDAL. SEE FIGURE 3.
4. TO REMOVE TOOL FROM BRACKET:
ADJUST TOOL TO HORIZONTAL POSITION. DISCONNECT QUICK CONNECTS BY PRESSING ON KNURLED SLEEVES. PRESS DOWN ON LOCKING LATCH, AND PULL TOOL FORWARD. NOW TOOL IS READY FOR HAND-HELD OPERATION. SEE FIGURE 3.

BAND-IT-IDEX, INC
A Unit of IDEX CORP
P.O. Box 16307
Denver, Colorado 80216-0307 USA
1-188-525-0758
info@band-it-idex.com
www.band-it-idex.com