

AC-301 Standalone RFID Access Controller with keypad input user manual

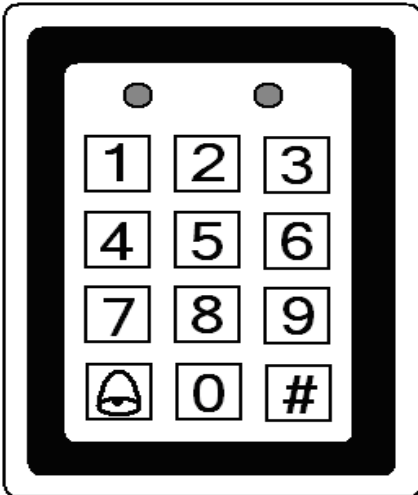


Back light keypad

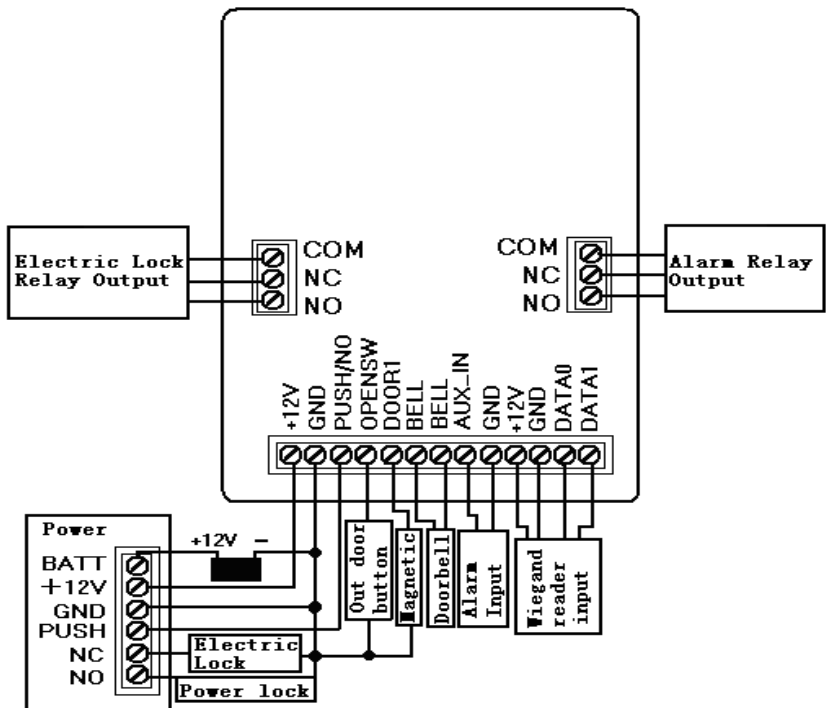


Anti-theft button

Access Controller positive



Access Controller on the back of Wiring Diagram



Force to restore factory programmed Password:
after release short J2 legs

Specification

Material	Steel metal shell with blue back light keypad
Power Supply	+12VDC / 1.2A
Door relay power	+12VDC / 2A
RFID Card ID storage	1000 pcs
Password	Universal Keypad password : 1 PIN password : 1000
Built-in RFID reader support protocol	125Khz EM4100 or compatible card
RFID card reading range	~5-10 cm
Door relay control output	1
Doorbell button input	1
Door sensor input	1
External alarm output	1
External RFID reader support	1 – Weigand 26 bit interface
Size	(75x115x28)mm
Weight	0.5Kg
Operation temperature	0'-45'C
Relative humidity	40%-90%RH

Factory default setting

Programming password	881122
Door open mode	card or Universal Keypad password (default : 1234)
Valid card PIN password	0000
unlock time	3 seconds
Anti-theft Alarm	off
Door lock Alarm	off
Door lock status detection	off
Alarm delay	0 second
password modification feature	off

Sound and LED function

Normal working mode

- valid command : a short beep sound
- Invalid command : a beep sound
- Red LED keep flash

Programming mode:

- Green LED keep on continuously
- valid command : "du-du" = 2 beep sound
- invalid command : "du-du-du" = 3 beep sound

press [#] to exit programming mode

Programming mode - function and setting description

Access programming mode	<p>press [#] + [6 digit password (default 881122)] → "du-du" sound → enter programming mode (Green LED on)</p>
modify programming password	<p>press [0] + [Enter 6 digit new programming password] + [re-type new 6 digit programming password]</p>
Add valid RFID card	<p>press [5] + [Enter 3 digit card code] "du-du" → [place RFID card 1 to read] "du,du-du" + [place RFID card card 2 to read] "du, du-du" + + [n RFID card] "du,du-du" → press [#] "du du" to complete</p> <p>Remarks 1 [3 digit card code] : 001--- 999 number can not be repeated. It is used to delete the card after it is lost.</p> <p>Remarks 2 When continuous set valid card, each card code will be added +1 increment automatically. For example, input card code is 015, the next card will 016 ...017 ..017</p>
Delete valid RFID card	<p>Method 1 Press [7] + [Enter 3 digit card code 1] "du-du" + [Enter 3 digit card code 2] "du-du" + ... + [Enter 3 digit card code 3] "du-du" ... → press [#] "du-du" to complete</p> <p>Method 2 Press [7] + [place RFID card 1 to read] "du,du-du" + [place RFID card 2] "du,du-du" + + [place RFID card N] "du,du-du" → press [#]"du-du" to complete and exit</p> <p>Method 3 Delete all cards : restore factory default settings</p> <p>Remarks : card ID and password will be deleted at the same time</p>
Exit programming mode	<p>Press [#] "du-du"</p>

Keypad Password	<p>Default keypad password is "1234"</p> <p>Default card + PIN password is "0000"</p> <p>Press [1] + [2] "du-du" (default) - disable change PIN password unction</p> <p>Press [1] + [3] "du-du" – enable change PIN function</p> <p>Modify card PIN code under non-programmed mode → press [#] (long by up to more than 2 seconds) if "du-du-du" that mean change PIN password feature is disable ,you can't change the PIN password (need enable it by Press [1] + [3] under programming mode) if "du-du" that mean enter change PIN password mode + [place RFID card] "du,du-du" + [Enter 4 digit original PIN] (default 0000) "du-du" + [Enter 4 digit new PIN] + [re-type 4 digit new PIN] "du-du"</p> <p>modify keypad access code : press [3] + [4 digit keypad access code] (default 1234) Under "card or PIN password mode" , the password is invalid if the keypad access code or the PIN password is "0000"</p>
Door Access mode	<p>Press [1] + [0] "du-du: (default) – card or PIN code</p> <p>Press [1] + [1] "du-du" – card + PIN password</p>
Door relay open period	Press [2] + [TT] – if TT = 03 , that mean 3 seconds
Anti-theft alarm	<p>Press [4] + [0] – disable function (default)</p> <p>Press [4] + [1] – enable function (alarm will be on if the controller case is open by force)</p>
Door lock status	<p>Press [6] + [0] – disable function</p> <p>Press [6] + [1] – enable function - make sure the door is open by normal card or PIN access</p>
Door sensor alarm	<p>Press [8] + [0] – disable function</p> <p>Press [8] + [1] – enable function</p>
Alarm active delay period	<p>Press [82] + [TT] "TT" is alarm delay period (e.g TT=03 = 3 seconds) Alarm will be on if reach delay time</p>
Factory default setting	Press [86] "du-du" , "du-du-du" , 5 seconds "du-du-du" → completed
Access method	<p>Card or keypad password : Enter keypad password (default 1234) or read a registered RFID card press [#] to exit or cancel password input</p> <p>Card + PIN password : [reads valid RFID card] "du-du"+ [PIN password] to opens the door If enter incorrect PIN password , press [#] to re-input correct PIN password directly</p>
Set to factory setting	Short J2 on the reader PCB board
Alarm output active	<ol style="list-style-type: none"> 1. AUX_IN electric pin active Low 2. anti–theft function is enable 3. door sensor is enable

Frequently questions

Symptom	Reason and Solution
Press key is normal, does not read the card : open/close door, "du-du..." 8 beep sounds	Not enough power supply current - Change to high power supply
Press key is normal, short reading distance or can't read card	The controller near metal surface - change the installation position Not enough power supply current - Change to high power supply
Can read the card , "du-du" but can't open door lock	" card + PIN password" mode is enable 1. change to " card or PIN password" mode 2. Before reading the card, pressed [#] the key - waited for 5 seconds then read the card again
Can read the card , "du" but can't open door lock	Door sensor alarm – enable - door already opened , check door status
Press [#] + [programming password] , can't enter programming mode	Pressed other keys before pressed [#] - press [#] again until heard a long beep sound then press [#] + [programming password] again
Press [#] , "du" can't change PIN password	Pressed other keys before pressed [#] - press [#] again until heard a long beep sound then press [#] 2 seconds "du,du-du" → okey
Press [5] "du-du-du" 3 sounds	Controller's card ID storage memory full
Press [5] + [3 digit code] "du-du-du"	This code was already used. Press [5] + [3 digit codes] to use another code
Press [5] + [3 digit code] "du-du" + [RFID card] "du-du-du"	The card already be a valid card. need assign this code to another RFID card
under programming mode the controller will exit and return to working mode	Under programming mode , If No command input within 20 second , the system will return to normal operation mode