

MIRROR BALL MOTOR EXTREME

USER MANUAL

For your own safety, please read this user manual carefully before you initial start-up

MODEL: AM-340

CAUTION: Keep this device away from rain and moisture! Unplug mains lead before opening the housing!

WARNING:

Every person involved with the installation, operation and maintenance of this device have to:

- Be qualified
- Follow the instructions of the manual

INTRODUCTION:

- ▣ Thank you for having chosen this MB MOTOR EXTREME (AM-340).
- ▣ Unpack your motor.
- ▣ Before you initial start-up, please make sure that there is no damage caused by transportation. Should there be any, consult your dealer and do not use the device.
- ▣ In order to ensure a safe operation, it is absolutely necessary for the user to follow the safety instructions and warning notes written in this user manual.

Important: Damages caused by the disregard of this user manual are not subject to warranty. The dealer will not accept liability for any resulting defects or problems.

SAFETY INSTRUCTIONS:

CAUTION: Be careful with your operations. With a dangerous voltage you can suffer a dangerous electric shock when touching the wires!

- ▣ This device has left our premises in absolutely perfect condition. In order to maintain this condition and to ensure a safe operation, it is absolutely necessary for the user to follow the safety instructions and warning notes written in this user manual.
- ▣ If the device has been exposed to drastic temperature fluctuation (e.g. after transportation), do not switch it on immediately. The arising condensation water might damage your device. Leave the device switched off until it has reached room temperature.

DANGER TO LIFE: The electric connection must only be carried out by a qualified electrician!

- ▣ Never let the power-cord come into contact with other cables! Handle the power-cord and all connections with the mains with particular caution!
- ▣ Make sure that the available voltage is not higher than the device's stated voltage.
- ▣ Make sure that the power-cord is never crimped or damaged by sharp edges. Check the device and the power-cord from time to time.
- ▣ Always disconnect from the mains, when the device is not in use or before cleaning it.
- ▣ Keep away children and amateurs!

OPERATING DETERMINATIONS:

- ▣ This device is a mirror ball motor for turning mirror balls up to a maximum diameter of 100 cm. The maximum charge of the whole installation must not exceed 40 kg.
- ▣ This product is allowed to be operated with an alternation voltage of 220~240V. 50Hz and was designed for indoor use only.
- ▣ Make sure that the area below the installation place is blocked when rigging, derigging or servicing the fixture.
- ▣ Please use the original packaging if the device is to be transported.
- ▣ If this mirror ball motor will be operated in any way different to the one described in this manual, the product may suffer damages and the guarantee becomes void. Furthermore, any other operation may lead to dangers like short-circuit, burns, electric shock, crash etc.

DESCRIPTION OF THE DEVICE

Features

Mirror ball motor large

Suitable for driving mirror balls up to a maximum of 100cm.

1~1.5 rotation per minute. Delivered with open cable-ends.

INSTALLATION:

DANGER TO LIFE:

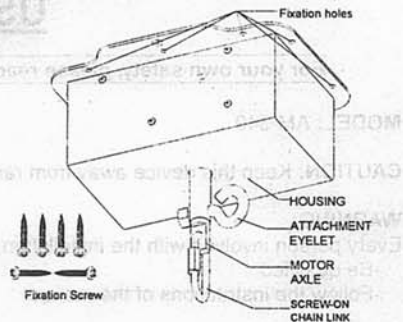
- ▣ Please consider the EN 60598 norms during the installation!
The installation must only be carried out by a qualified electrician or an authorized dealer!
- ▣ The installation of the mirror ball has to be built and constructed in a way that it can hold 5 times weight for 1 hour without any harming deformation.
- ▣ The installation must always be secured with a secondary safety attachment, e.g. an appropriate catch net. This secondary safety attachment must be constructed in a way that no part of the installation can fall down if the main attachment fails.
- ▣ When rigging, derigging or servicing the fixture staying in the area below the installation place, on bridges, under high working places and other endangered areas is forbidden.
- ▣ The operator has to make sure that safety-relation and machine-technical installations are approved by an expert before taking into operation for the first time and after changes before taking into operation another time.
- ▣ The operator has to make sure that safety-relation and machine-technical installations are approved by an expert after every four year in the course of an acceptance test.
- ▣ The operator has to make sure that safety-relation and machine-technical installations are approved by a skilled person once a year.

PROCEDURE:

- ▣ The mirror ball should be installed outside areas where persons may walk by or be seated.
 - ▣ The installation spot must be chose in a way that the motor could be installed in an absolutely horizontal position.
 - ▣ The motor and the mirror ball have to be installed out of the reach of people.
 - ▣ If the motor shall be lowered from the ceiling or high joists, professional trussing systems have to be used.
The motor must never be fixed swinging freely in the room.
- Caution:** Mirror balls may cause severe injuries when crashing down! If you have doubts concerning the safety of a possible installation, do NOT install the motor!
- ▣ Before rigging make sure that the installation area has to hold a minimum of 200 kg point load.
 - ▣ Please install the mirror ball motor via all 8-fixation holes.
 - ▣ Do only use appropriate screws and make sure that the screws are properly connected with the ground.
 - ▣ **Connection to the mains:** connect the device to the mains with the 3-pole power supply cable.
 - ▣ The occupation of the connection-cables is as follows:

Cable	Pin	International
Brown	Live	L
Blue	Neutral	N
Yellow/Green	Earth	⊕

- ▣ The earth has to be connected!
 - ▣ If the device will be directly connected with the local power supply network, a disconnection switch with a minimum opening of 3 mm at every pole has to be included in the permanent electrical installation.
 - ▣ The mirror ball has to be connected via an appropriate installation (see above) with the motor. We recommend to use Chain for Mirror balls up to 100 cm certified.
- Caution:** The installation material must never include abrading material e.g. steel cables in order to avoid material wearing.
- ▣ The length of the chain must never exceed 100 cm.
 - ▣ Insert the chain with the mirror ball in the screw-on chain link and tighten the fixation screw.



- ▣ Make sure that the rotation of the mirror ball is never slowed down or stopped by decoration material etc.
- ▣ Make sure that no side forces can impact on the installation.
- ▣ Please check in regular intervals, if the key ring or chain links have been deformed. Uninstall the mirror ball immediately in such a case.

DANGER TO LIFE: Before taking into operation for the first time, the installation has to be approved by an expert!

CLEANING AND MAINTENANCE

- ▣ We recommend a frequent cleaning of the device. Please use a soft lint-free and moistened cloth. Never use alcohol or solvents!
- ▣ There are no serviceable parts inside the device. Maintenance and service operations are only to be carried out by authorized dealers.
- ▣ Should you need any spare parts, please use genuine parts.
- ▣ If the power supply cable of this device becomes damaged, it has to be replaced by authorized dealers only in order to avoid hazards.
- ▣ Should you have further questions, please contact your dealer.

TECHNICAL SPECIFICATIONS

Power supply:	220~240 V A C, 50Hz
Power consumption	4 W
Maximum charge:	40 kg
Max. diameter of mirror ball	100 cm
Rotation-speed:	Approx. 1~1.5 RPM
Dimensions (LxWxH)	280x240x110 mm
Weight:	2.5kg

MADE IN CHINA

This motor is only designed for home use.