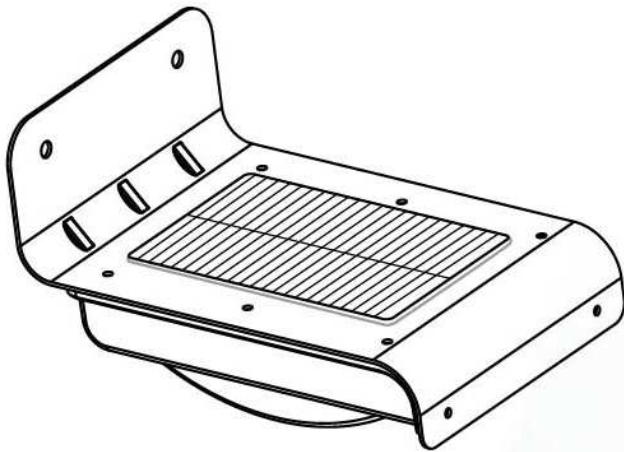
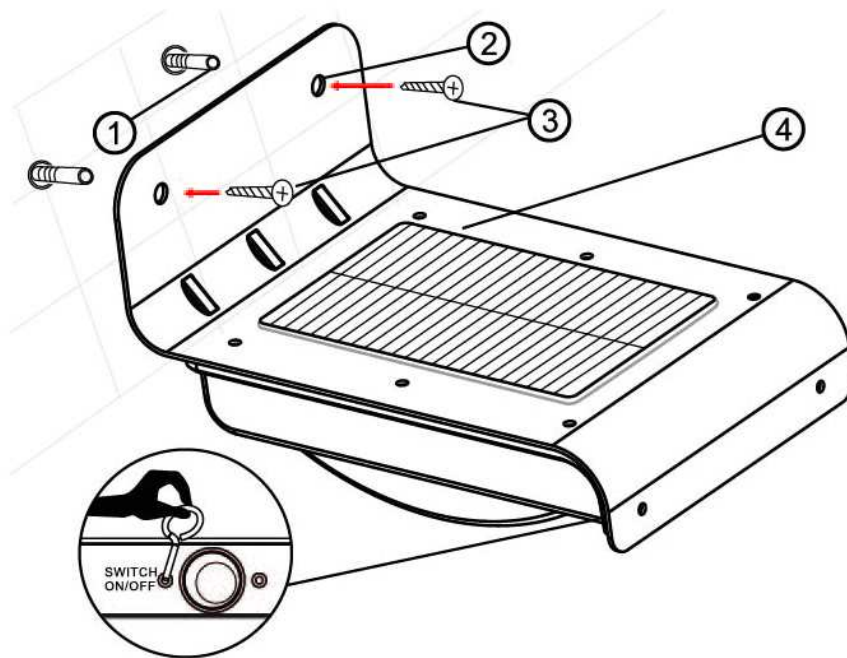


User Manual

solar motion sensor light





-
- ① Expansion pillar-hinge
 - ② Hole
 - ③ Screw
 - ④ Solar pannel

Electrical Characteristics:

1. Solar panel: 0.55W, 17% efficiency
2. Li-ion battery: 3.7V 800mAh
3. Switch Pin: turn on/off the light by hand
4. LED: 16pcs, SMD 3528, 1 Watt, 100Lumens
5. Lighting mode: Dark/DIM/bright,
DIM: weak lighting for saving power when no motion
Bright: motion activate for lighting when people walk near
6. Protect function: Over charging, over discharging,
over current, short circuit
7. Advantage for electronic:
 - a) Constant voltage 4.2V charging type
 - b) Input current limited
 - c) Output current limited
 - d) Backflow current proof for solar cell
 - e) High efficiency
 - f) Famous brand component: MURATA, PANASONIC, ST, TOSHIBA, ETC
8. Stainless Material: ABS+aluminum (sand blasting)

Operation Instructions:

1. Unlock and activate the device

The internal battery is locked from factory for safety shipment, so users have to use supplied Key pin to click the "on/off" socket and unlock the battery and lighting system.

2. How to Install the device?

Please use the supplied Expansion pillar-hinge and screws to mount the device on Pole or wall anywhere outside you want for lighting.

3. Charging via solar panel:

Please make sure the solar panel can get the good sunlight directly without any shelter or glass.

4. Night sensor function

it will auto turn on Dim light when in darkness or at night, and auto turn off when in daytime or bright area.

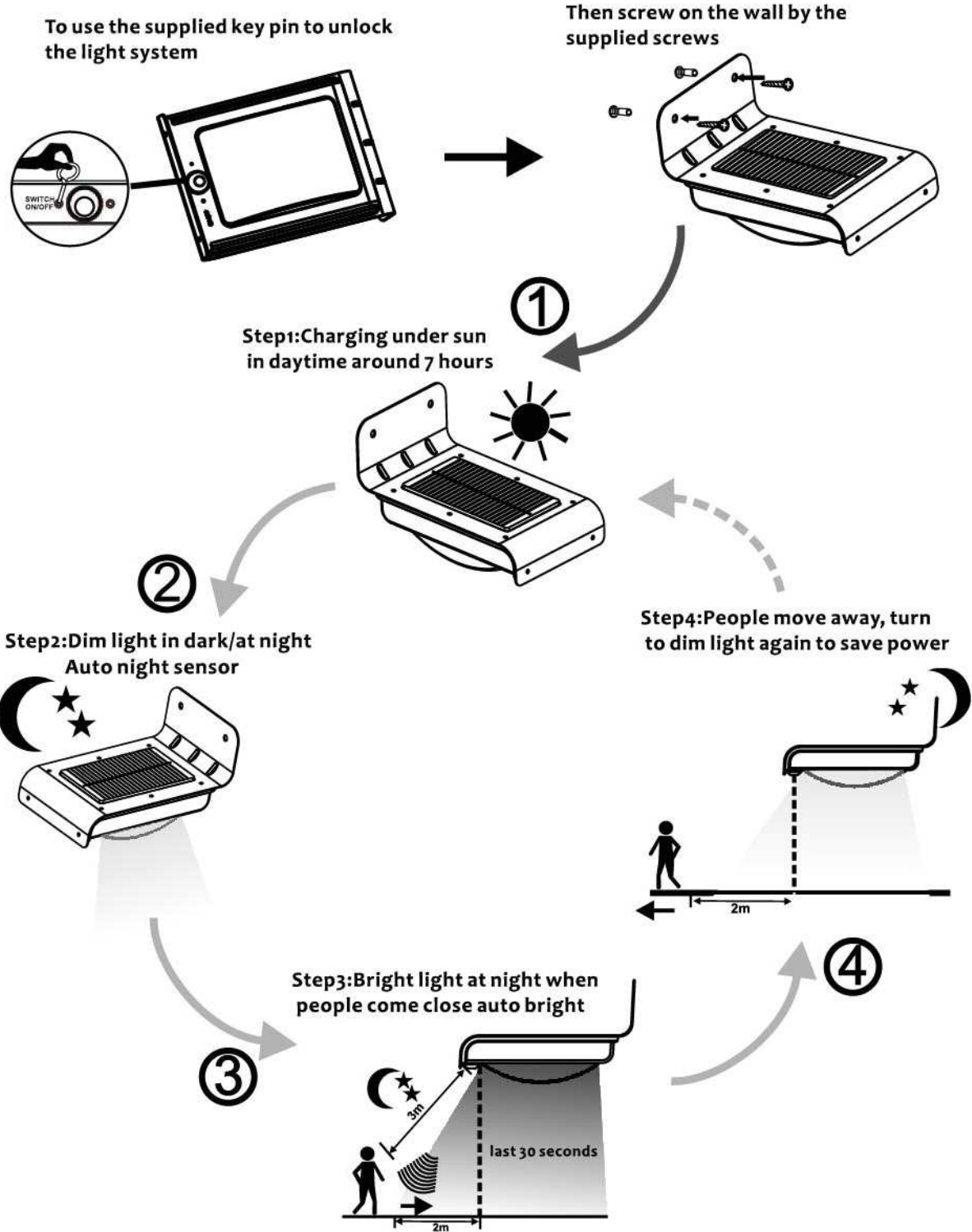
5. Dim light mode

In order to save power , It will auto turn on Dim light when no Motion over there, but the brightness also can work as signal light.

6. Bright light mode

When people walk around 2 meters close, it will turn on bright light.

Working process instructions



Warning:

1. Keep the device away from fire, water and moist places in order to avoid explosion, leakage, moisture;
2. Any severe shock to the charger is not recommended;
3. No one except professional technicians should attempt to disassemble the charger in order to avoid damaging the charger;

Special Note:

1. Please fully charge the device before first use
2. If there is no good sunlight in 3 months, the battery may be out of power,so you have to charge it by bright sunlight ,when it's fully charged, please use Supplied Key Pin to unlock the device and lighting system, otherwise,it can't work anymore.
3. If the light is blink means the power is very low, you have to charge it by sunlight soon,otherwise, the device will stop working soon.
4. If there is no good sunlight or in winter sunlight, it may take longer time to fully charge the device and this is very normal for solar products.

Package include:

1. Key pin:1pc
2. Expansion pillar-hinge 2pcs
3. Screws 2pcs