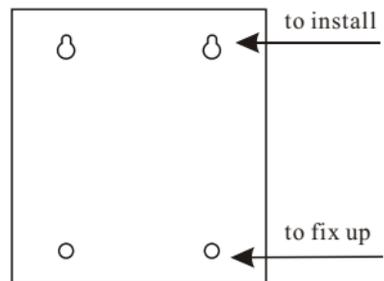


1.Assembly

Bottom

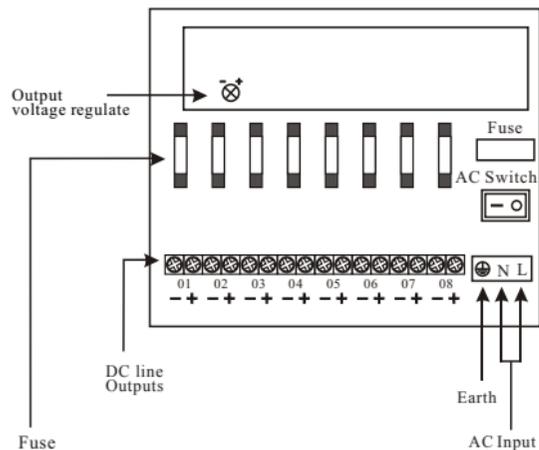


Underside



Knock out metal inserts, feed cables through holes.

2.Connection



3.Specification

Input voltage:AC100~240V 50~60Hz

Output voltage:DC12 \pm 10%

ADJ:11~13V

Output current:I(01~08)=5A

Of current:I(Max)=7.5A

Output power:60W

Peak value of power:90W

4.Function of protect

Output Short protection

Output Overcurrent protection

Output Overvoltage protection

5.Use guide

- Only use indoors.
- For 100~240VAC use only. Please use 3 core earthed mains cables.

• *Note:*

High voltage circuit inside, please do not dismantle it if no professional.