

SAMSUNG



Professional Security LCD Monitor STM-19LM/17LM User's Manual

Thank you for purchasing a SAMSUNG LCD Monitor.
Before attempting to connect or operate this product,
please read these instructions carefully and save this manual for future use.

ENGLISH

CONTENTS

| | |
|---|----|
| IMPORTANT SAETY INSTRUCTIONS | 3 |
| SAFETY INSTRUCTION..... | 4 |
| CAUTIONS..... | 5 |
| FCC RF INTERFERENCE STATEMENT | 6 |
| CONNECTING WITH EXTERNAL EQUIPMENT..... | 6 |
| REMOTE FUNCTIONS..... | 7 |
| CONTROLS AND FUNCTIONS | 7 |
| OSD MENU DESCRIPTION..... | 8 |
| MOUNTING GUIDE | 13 |
| D-SUB CONNECTOR PIN ASSIGNMENTS | 13 |
| POWER MANAGEMENT..... | 14 |
| TROUBLESHOOTING GUIDE..... | 14 |
| SPECIFICATIONS..... | 15 |
| DIMENSION..... | 15 |

IMPORTANT SAFETY INSTRUCTIONS

- 1) Read these instructions.
- 2) Keep these instructions.
- 3) Heed all warnings.
- 4) Follow all instructions.
- 5) Do not use this apparatus near water.
- 6) Clean only with dry cloth.
- 7) Do not block any ventilation openings. Install in accordance with the manufacturer's instructions.
- 8) Do not install near any heat sources such as radiators, heat registers, stoves, or other apparatus (including amplifiers) that produce heat.
- 9) Do not defeat the safety purpose of the polarized or grounding-type plug.
 - A polarized plug has two blades with one wider than the other.
 - A grounding type plug has two blades and third grounding prong.
 - The wide blade or the third prong are provided for your safety.
 - If the provided plug does not fit into your outlet, consult an electrician for replacement of the obsolete outlet.
- 10) Protect the power cord from being walked on or pinched particularly at plugs, convenience receptacles, and the point where they exit from the apparatus.
- 11) Only use attachments/accessories specified by the manufacturer.
- 12) Use only with the cart, stand, tripod, bracket, or table specified by the manufacturer, or sold with the apparatus. When a cart is used, use caution when moving the cart/apparatus combination to avoid injury from tip-over.



- 13) Unplug this apparatus during lightning storms or when unused for long periods of time.
- 14) Refer all servicing to qualified service personnel. Servicing is required when the apparatus has been damaged in anyway, such as power-supply cord or plug is damaged, liquid has been spilled or objects have fallen into the apparatus, the apparatus has been exposed to rain or moisture, does not operate normally, or has been dropped.

- The apparatus shall not be exposed to dripping or splashing and that no objects filled with liquids, such as vases, shall be placed on the apparatus.
- Minimum distances(e.g. 10cm) around the apparatus for sufficient ventillation.

"WARNING - To reduce the risk of fire or electric shock, do not expose the apparatus to rain or moisture."

"The apparatus shall not be exposed to dripping or splashing and no objects filled with liquids, such as vases, shall be placed on the apparatus."

SAFETY INSTRUCTION

Thank you for purchasing our product. Before operating this product, please read the instruction manual.

1. Unplug this product from the wall outlet before cleaning. Do not use liquid cleaners or aerosol cleaners. Use a damp cloth for cleaning.
2. Do not use this product near water.
3. Do not place this product on an unstable cart, stand or table. The product may fall, causing serious damage to the product.
4. Slots and openings in the cabinet and the back are provided for ventilation: to ensure reliable operation of the product, these openings must not be blocked by placing the product on a bed, sofa, rug or other similar surface. This product should never be placed near or over a heat register. This product should not be placed in a built-in installation unless proper ventilation is provided.
5. This product should be operated from the type of power source indicated on the marking label. If you are not sure of the type of power available, consult your dealer or local power company.
6. This product is equipped with a 3 wire grounding type plug having a third(grounding) pin. This is a safety feature. If you are unable to insert the plug into the outlet, contact your electrician to replace your obsolete outlet. Do not defeat the purpose of the grounding-type plug.
7. Do not allow anything to rest on the power cord. Do not locate this product where persons will walk on the cord.
8. If an extension cord is used with this product, make sure that the total of the ampere ratings on the products plugged into the extension cord do not exceed the extension cord ampere rating. Also, make sure that the total of all products plugged into the wall outlet does not exceed 10 amperes.
9. Never push objects of any kind into this product through cabinet slots as they may touch dangerous voltage points or short out parts that could result in a risk of fire or electric shock. Never spill any kind of liquid on the product.
10. Do not attempt to service this product yourself, as opening or removing covers may expose you to dangerous voltage points or other risks. Refer all servicing to service personnel.
11. Unplug this product from the wall outlet and refer servicing to qualified service personnel under the following conditions.
 - When the power cord or plug is damaged or frayed.
 - If liquid has been spilled into the product.
 - If the product has been exposed to rain or water.
 - If the Product does not operate normally when the operating instructions are followed. Adjust only those controls that are covered by the operating instructions since improper adjustment of other controls may result in damage and will often require extensive work by a qualified technician to restore normal operation.
 - If the product has been dropped or the cabinet has been damaged.
 - If the product exhibits a distinct change in performance, indicating a need for service.



This symbol is intended to alert the user to the presence of uninsulated "dangerous voltage" within the product's enclosure that may be of sufficient magnitude to constitute a risk of electric shock to persons.



This symbol is intended to alert the user to the presence of important operating and maintenance(servicing) instructions in the literature accompanying the appliance.

CAUTIONS

- **NEVER REMOVE THE BACK COVER**
Removal of the back cover should be carried out only by qualified personnel.
- **DO NOT USE IN HOSTILE ENVIRONMENTS**
To prevent shock or fire hazard, do not expose the unit to rain or moisture. This unit is designed to be used in the office or home. Do not subject the unit to vibrations, dust of corrosive gases.
- **KEEP IN A WELL VENTILATED PLACE**
Ventilation holes are provided on the cabinet to prevent the temperature from rising. Do not cover the unit or place anything on the top of unit.
- **AVOID HEAT**
Avoid placing the unit in direct sunshine or near a heating appliance.
- **TO ELIMINATE EYE FATIGUE**
Do not use the unit against a bright back ground and where sunlight or other light sources will shine directly on the monitor.
- **BE CAREFUL OF HEAVY OBJECT**
Neither the monitor itself nor any other heavy object should rest on the power cord. Damage to a power cord can cause fire or electrical shock.

FCC RF INTERFERENCE STATEMENT

NOTE

This equipment has been tested and found to comply with the limits for a Class B digital device, pursuant to Part 15 of the FCC Rules. These limits are designed to provide reasonable protection against harmful interference in a residential installation. This equipment generates, uses and can radiate radio frequency energy and, if not installed and used in accordance with the instructions, may cause harmful interference to radio communications. However, there is no guarantee that interference will not occur in a particular installation.

If this equipment does cause harmful interference to radio or television reception which can be determined by turning the equipment off and on, the user is encouraged to try to correct the interference by one or more of the following measures.

- Reorient or relocate the receiving antenna. - Increase the separation between the equipment and receiver.
- Connect the equipment into an outlet on a circuit different from that to which the receiver is connected.
- Consult the dealer or an experienced radio, TV technician for help.
- Only shielded interface cable should be used.

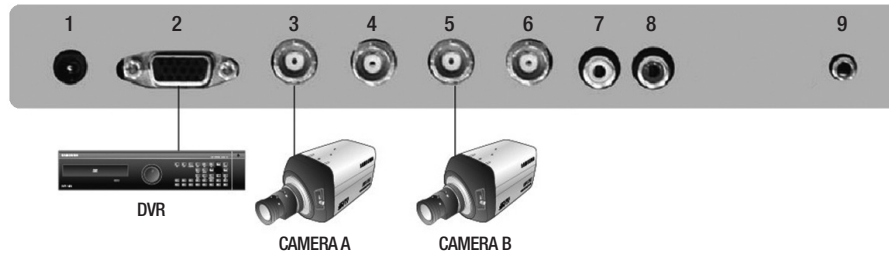
Finally, any changes or modifications to the equipment by the user not expressly approved by the grantee or manufacturer could void the users authority to operate such equipment.

► DOC COMPLIANCE NOTICE

This digital apparatus does not exceed the Class B limits for radio noise emissions from digital apparatus set out in the radio interference regulation of Canadian Department of communications.

CONNECTING WITH EXTERNAL EQUIPMENT

A. BOTTOM PANEL CONTROL

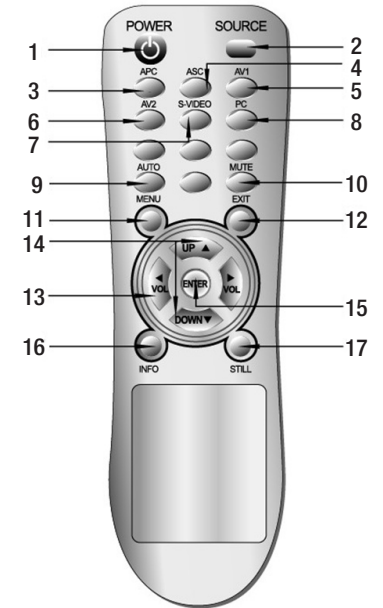


1. DC 12V IN
2. D-SUB IN : PC Signal Input
3. VIDEO 1(AV1) IN : Composite signal Input for AV1
4. VIDEO 1(AV1) OUT : Video looping output for AV1
5. VIDEO 2(AV2) IN : Composite signal Input for AV2
6. VIDEO 2(AV2) OUT : Video looping output for AV2
- 7, 8. AUDIO IN (L+R) : Stereo Audio Signal Input
9. PC STEREO IN

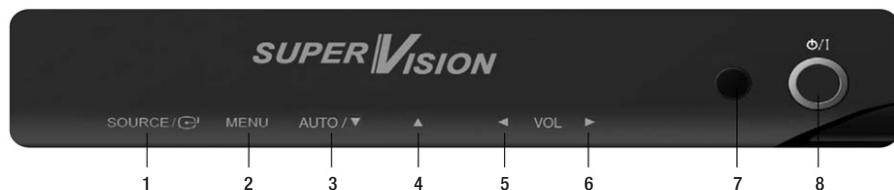
REMOTE FUNCTIONS

B. REMOTE CONTROLLER

1. **POWER** (⏻) : Turns the power ON or OFF. There will be a few seconds delay before the display appears.
2. **SOURCE** : Select pc or video(AV1 / AV2 / PC) sources.
3. **APC (Auto Picture Control)** : Select picture mode.
4. **ACC (Auto Colour Control)** : Select Colour mode.
5. **AV1** : Select AV1 mode.
6. **AV2** : Select AV2 mode.
7. **S-VIDEO** : Not operating.
8. **PC** : Select PC mode
9. **AUTO** : Auto geometry adjustment in PC Source.
10. **MUTE** : Mute the sound.
11. **MENU** : Activates and exits the On Screen Display.
12. **EXIT** : Exit the On Screen Display.
13. **VOL(◀▶)** : Increases or decreases the level of audio volume.
14. **UP/DOWN** : Move to OSD menu.
15. **ENTER** : Accepts your selection or displays the current mode.
16. **INFO** : Not operating.
17. **STILL** : Not operating.



CONTROLS AND FUNCTIONS



• Front Key Control

1. **SOURCE** : Select input source, and move the previous menu.
2. **MENU** : Activates and exits the On Screen Display. This button can also be used to move previous menu or status.
OSD MENU(MAIN): Picture,Sound,PC(pc only),Setup
- 3/4. **AUTO/ ▼ / ▲** : This button allows user to move the sub-menu of the activated function.
▼ : Auto geometry adjustment
- 5/6. **◀ VOL ▶** : Adjust menu settings. / Adjust the volume.
7. **IR Sensor** : Remote controller sensor.
8. **POWER ON/OFF(⏻)**

Turn the power ON or OFF. There will be a few seconds delay before the display appears. The power LED(next to the power switch) lights with green when the power is turned ON. The power is turned off by pressing the power switch again and the power LED goes Red.

• OSD MENU DESCRIPTION

A: PICTURE MENU (Only Video mode)



- Press the MENU button and then up(▲) / down(▼) button to select the PICTURE menu.

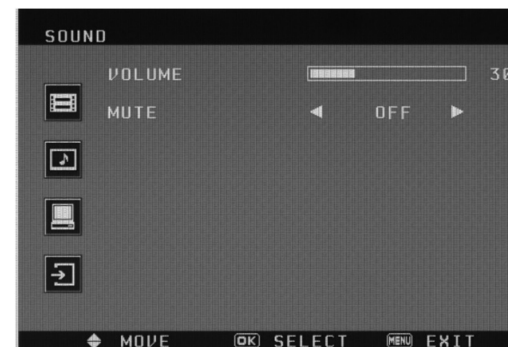


- Press the up(▲) / down(▼) button to select picture sub menu. Press the left(◀) / right(▶) button to adjust picture setting.

- **CONTRAST** : Increase or decrease the intensity (lightness or dimness) of the image.
- **BRIGHTNESS** : Increase or decrease the intensity of the image.

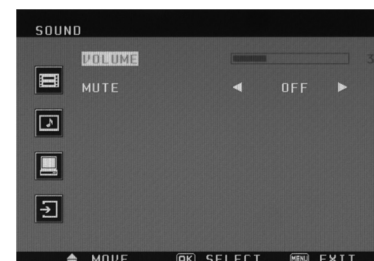
- **HUE** : Increase or decrease the hue of the picture.
- **SATURATION** : Increase or decrease the saturation of the picture.
- **SHARPNESS** : Increase or decrease the sharpness of the picture.
- **COLOR TEMP** : Select the color temp of the picture.
- **PICTURE MODE** : Select the picture mode of the picture.

B. SOUND MENU



Press the MENU button and then up(▲) / down(▼) button to select the SOUND menu.

1. VOLUME



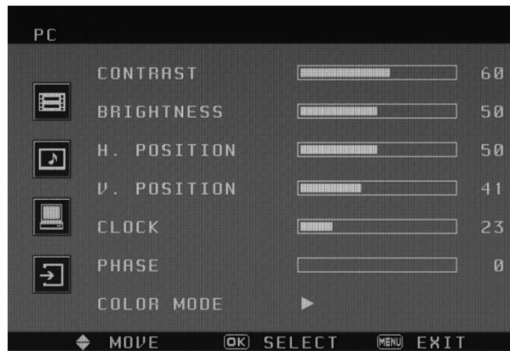
- Press the right(▶) or enter button and then up(▲) / down(▼) button to select the Volume Press the left(◀) / right(▶) button to adjust Volume.

2. MUTE



- Press the up(▲) / down(▼) button to select the MUTE. Press left(◀) / right(▶) button to select desired Mute on / off.

C. PC MENU(Only PC mode)



Press the MENU button and then up(▲) / down(▼) button to select the PC menu.

1. PC SUB MENU (CONTRAST & BRIGHTNESS)



- Press the up(▲) / down(▼) button to select the Contrast and Brightness
- Press left(◀) / right(▶) button to adjust Contrast and Brightness Setting.

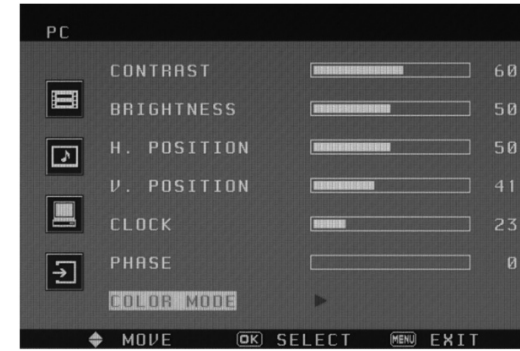
2. PC SUB MENU (H / V. POSITION & CLOCK , PHASE)



- Press the up(▲) / down(▼) button to select the PC sub Menu.
- Press left(◀) / right(▶) button to adjust PC image Setting.

- **H. POSITION** : Move image horizontally on screen right or left.
- **V. POSITION** : Move image vertically on screen up or down.
- **CLOCK** : Adjust the vertical noise of screen image.
- **PHASE** : Adjust the number of horizontal picture elements.

3. PC SUB MENU (COLOR MODE)



Press the up(▲) / down(▼) button to select the COLOR MODE menu. Press the right(▶) or enter button

3-1. AUTO COLOR



- Press the up(▲) / down(▼) button to select the AUTO COLOR menu.
- Press the right(▶) or enter button.

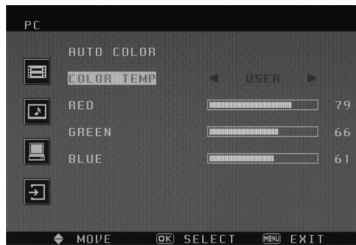
- **AUTO COLOR** : Auto color geometry adjustment.

3-2. COLOR TEMP

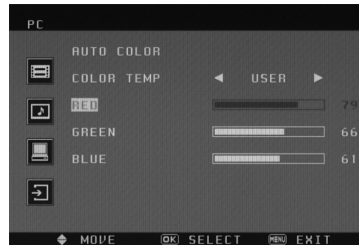


- Press the up(▲) / down(▼) button to select the COLOR TEMP menu.
- Press left(◀) / right(▶) button to select color temp mode.

3-3. USER in the COLOR TEMP MENU



- Press the up(▲) / down(▼) button to select the COLOR TEMP menu.



- Press the up(▲) / down(▼) button to select the desired Red, Green and Blue Mode.
- Press the left(◀) / right(▶) button to adjust picture setting.

D. SETUP MENU



Press the up(▲) / down(▼) button to select the SETUP menu. Press the right(▶) or enter button.

1. SETUP SUB MENU (LANGUAGE)



- Press the left(◀) / right(▶) button to select desired osd language.

2. SETUP SUB MENU (OSD CONTROL)



- Press the up(▲) / down(▼) button to select the SETUP sub Menu.
- Press left(◀) / right(▶) button to adjust OSD Setting.

- **H. POSITION** : Move OSD horizontally on screen right or left.
- **V. POSITION** : Move OSD vertically on screen up or down.
- **OSD TIMER** : Adjust the OSD displayed time.
- **TRANSPARENT** : Adjust the OSD transparent.

3. SETUP SUB MENU (RECALL)



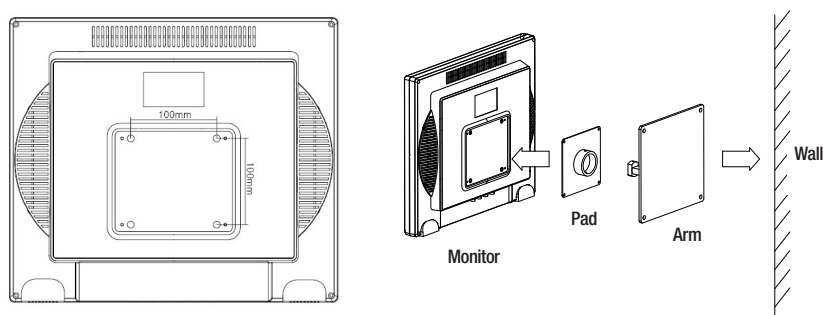
- Press the right(▶) or enter button to select the RECALL menu.

- **RECALL** : Select to reset all setting to the factory default values.

MOUNTING GUIDE

Install Guide of wall mount bracket(STB-LM)

- 1) Make 4 holes in the wall using the bracket as a template, as below picture, and fix the bracket to the wall.
- 2) Fit the monitor bracket onto the rear of the monitor.
- 3) Finally, fit the two brackets together.

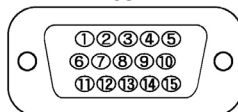


D-SUB CONNECTOR PIN ASSIGNMENTS

• PIN ASSIGNMENTS

| | | | |
|-------|--------------|--------|-----------------------|
| Pin 1 | RED VIDEO | Pin 9 | |
| Pin 2 | GREEN VIDEO | Pin10 | SIGNAL CABLE DETECT |
| Pin 3 | BLUE VIDEO | Pin 11 | GROUND |
| Pin 4 | GROUND | Pin 12 | SDA(for DDC) |
| Pin 5 | GROUND | Pin 13 | H-SYNC.(or H+V SYNC.) |
| Pin 6 | RED GROUND | Pin 14 | V-SYNC |
| Pin 7 | GREEN GROUND | Pin 15 | SCL(for DDC) |
| Pin 8 | BLUE GROUND | | |

D-SUB



• ACCESSORY

- | | | | |
|-------------------|------------------|------------------------|------------------------|
| 1. POWER CORD | 2. USER'S MANUAL | 3. PC cable | 4. Adaptor |
| 5. Remote Control | 6. Batteries | 7. Wall mount (Option) | 8. Rack mount (Option) |

POWER MANAGEMENT

This monitor features a power management system to “power down” upon receipt of the VESA DPMS (The display power management signaling) from a VESA DPMS video card. The VESA DPMS-compliant video card performs this signaling system through not sending horizontal, vertical, or sync signal. This monitor enters an appropriate mode through identifying each of the three modes of the signaling system.

• POWER CONSUMPTION

| MODE | POWER CONSUMPTION | MODE | POWER CONSUMPTION |
|---------|-------------------|------------|-------------------|
| ON | < 42W | SUSPEND | < 3W |
| STANDBY | < 3W | ACTIVE OFF | < 3W |

• LED INDICATOR

The power management feature of the monitor is comprised of four stages : On(Green), Standby, Suspend, Active off(Amber) and Unsupported mode(Green).

| MODE | LED COLOR | MONITOR OPERATION |
|------------------|-----------|--|
| ON | GREEN | Normal Operation |
| STANDBY | AMBER | Screen blanks after preset idle time And some electronic circuits or all Circuitry in the monitor shut down. |
| SUSPEND | | |
| ACTIV OFF | | |
| UNSUPPORTES MODE | GREEN | Normal operation but the on screen Display will show error massage |
| POWER OFF | RED | Not Operation |

TROUBLESHOOTING GUIDE

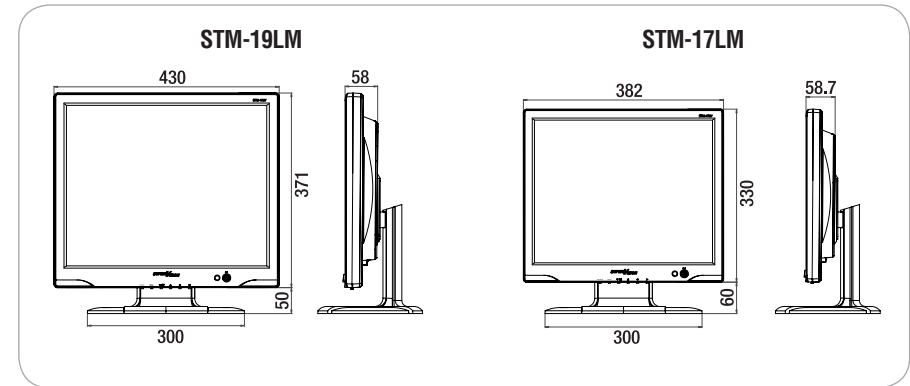
| TROUBLE | TROUBLESHOOTING TIP |
|---|---|
| No image on display screen | <ol style="list-style-type: none"> 1. Check that power cord of the monitor have been connected securely into wall outlet or grounded extension cable or strip. 2. Power switch should be in the ON position and LED is lit. 3. Check that the Brightness and / or the Contrast adjustments of the Display have not been turned down to minimum levels. |
| “Check Input Signal” message on screen | <ol style="list-style-type: none"> 1. The signal cable should be completely connected to the video card / computer 2. The video card should be completely seated in its slot and the computer is switched ON. |
| Display image is not centered, too small or toolarge in PC mode | Push the down key in front side or Auto key in remocon. |
| Vertical or Horizontal noise is present in the picture | Adjust Clock and Phase in the OSD. |

SPECIFICATIONS

| Model Name | | STM-19LM | STM-17LM |
|------------------------------|-------------------------|--|-------------------------|
| Video | Composite | 2ch input 1.0Vp-p, 75Ω terminated, loop-through out | |
| | VGA | 1ch input | |
| Resolution | | 1280x1024@60Hz | |
| Frequency | Horizontal(KHz) | 31KHz ~ 82KHz | |
| | Vertical(Hz) | 50Hz ~ 75Hz | |
| VGA Mode | | 720x480@60Hz, 720x576@50Hz, 800x600@60/75Hz 1024x768@60/75Hz, 1280x1024@60/75Hz | |
| Power Consumption | | Max. 42W | Max. 36W |
| Dimensions (WxDxH) | SET | 430x421x200mm | 382x390x200mm |
| | Packing | 490x506x225mm | 436x476x225mm |
| Weight(kg) | Net Weight | 6.43Kg | 5.57Kg |
| | Gross Weight | 8.43Kg | 7.42Kg |
| Power Supply | | DC 12V / 4.16A | |
| Environmental Considerations | Operating Temperature | 32°F~104°F (0°C~40°C) | |
| | Operating Humidity | 10%~80%, Non-condensing | |
| | Storage Temperature | -4°F~113°F (-20°C~45°C) | |
| | Storage Humidity | 5%~95%, Non-condensing | |
| LCD Panel Spec | Size | 19" Diagonal AM-TFT | 17" Diagonal AM-TFT |
| | Active Display Area | 376.32x301.056mm | 337.92x270.336mm |
| | Pixel Pitch(mm) | 0.294mm(H) x 0.294mm(V) | 0.264mm(H) x 0.264mm(V) |
| | Brightness(cd/m2) | 300cd/m2 | |
| | Contrast Ratio | 800:1 | 1000:1 |
| | Response Time(ms) | 5ms | |
| | Viewing Angle(L/R/ T/B) | 80/80/75/85 | 80/80/80/80 |

• Technical specifications are subject to change without notice.

DIMENSION



CORRECT DISPOSAL OF BATTERIES IN THIS PRODUCT

Correct disposal of batteries in this product



(Applicable in the European Union and other European countries with separate battery return systems.)

This marking on the battery, manual or packaging indicates that the batteries in this product should not be disposed of with other household waste at the end of their working life. Where marked, the chemical symbols *Hg*, *Cd* or *Pb* indicate that the battery contains mercury, cadmium or lead above the reference levels in EC Directive 2006/66. If batteries are not properly disposed of, these substances can cause harm to human health or the environment.

To protect natural resources and to promote material reuse, please separate batteries from other types of waste and recycle them through your local, free battery return system.

SAMSUNG TECHWIN

The Samsung logo, consisting of the word "SAMSUNG" in a bold, sans-serif font, enclosed within a black, horizontally-oriented oval shape.

SALES NETWORK

• **SAMSUNG TECHWIN CO., LTD.**

145-3, Sangdaewon1-dong, Jungwon-gu, Seongnam-si, Gyeonggi-do, 462-703, Korea
TEL : +82-31-740-8151~8 FAX : +82-31-740-8145

• **SAMSUNG TECHWIN AMERICA Inc.**

1480 Charles Willard St, Carson, CA 90746, UNITED STATES
Tol Free : +1-877-213-1222 FAX : +1-310-632-2195
www.samsungcctvusa.com

• **SAMSUNG TECHWIN EUROPE CO., LTD.**

Samsung House, 1000 Hillswood Drive, Hillswood Business
Park Chertsey, Surrey, UNITED KINGDOM KT16 OPS
TEL : +44-1932-45-5300 FAX : +44-1932-45-5325

www.samsungtechwin.com
www.samsungcctv.com

P/No. : L39ME0182 Rev.0
VAN 09. 01