

**THETFORD**

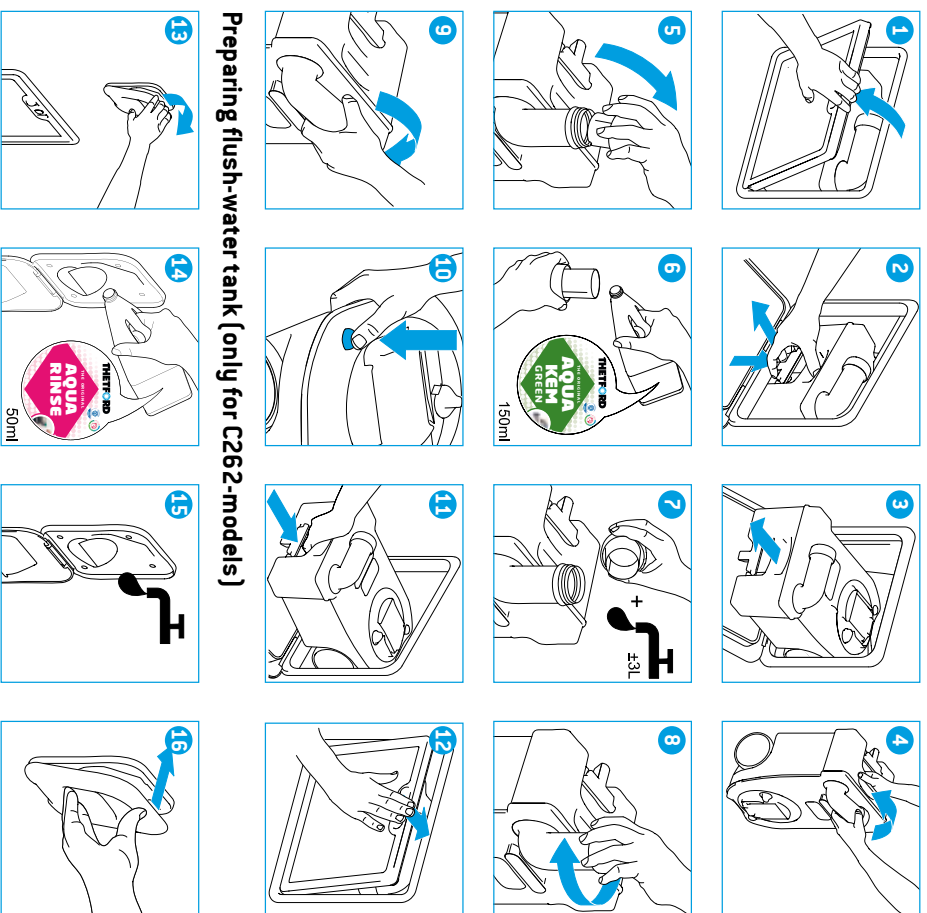
**C260**  
**User Manual**



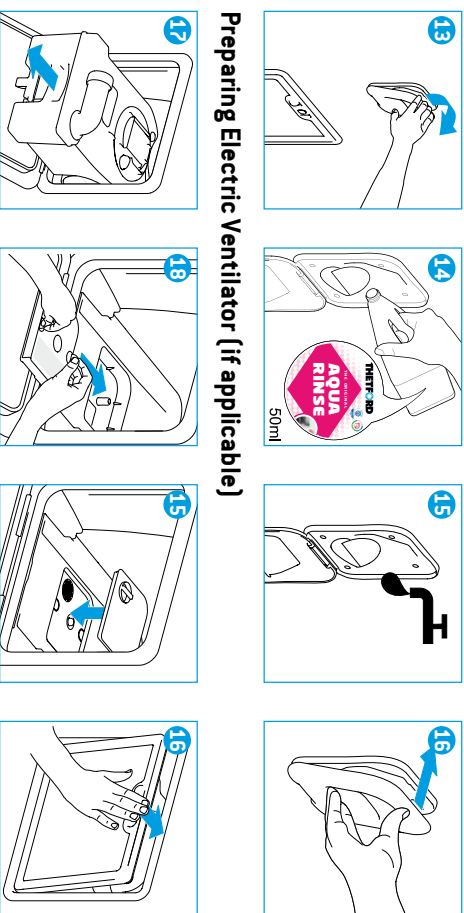
**THETFORD** *Loving leisure*

## QUICK GUIDE

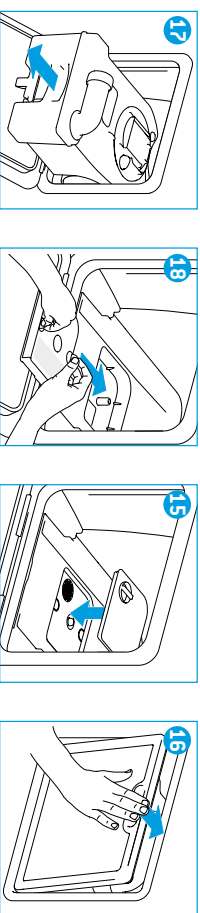
### Preparing waste-holding tank



### Preparing flush-water tank (only for C262-models)

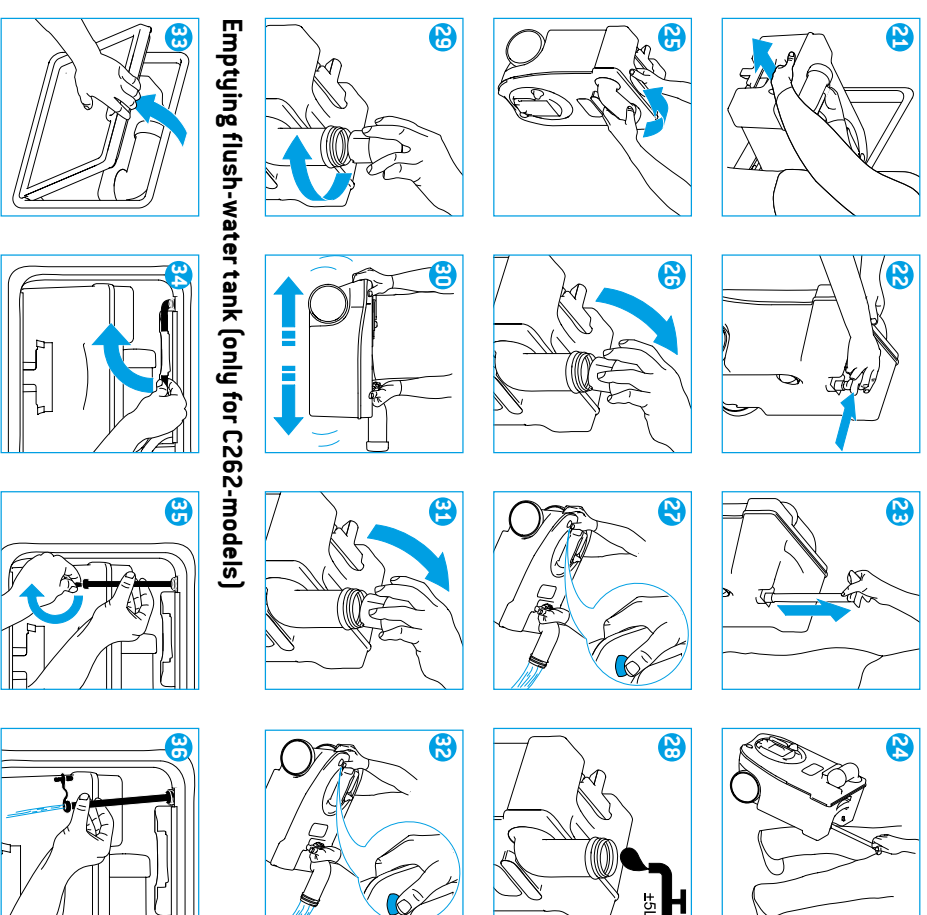


### Preparing Electric Ventilator (if applicable)

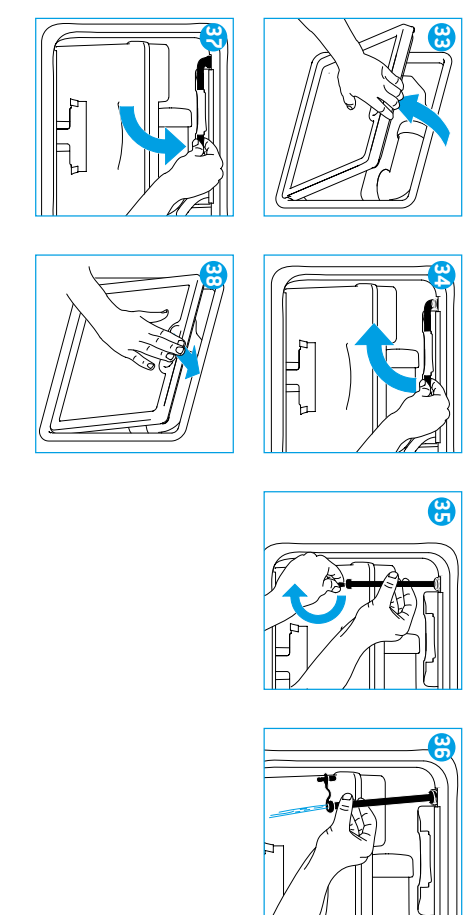


## QUICK GUIDE

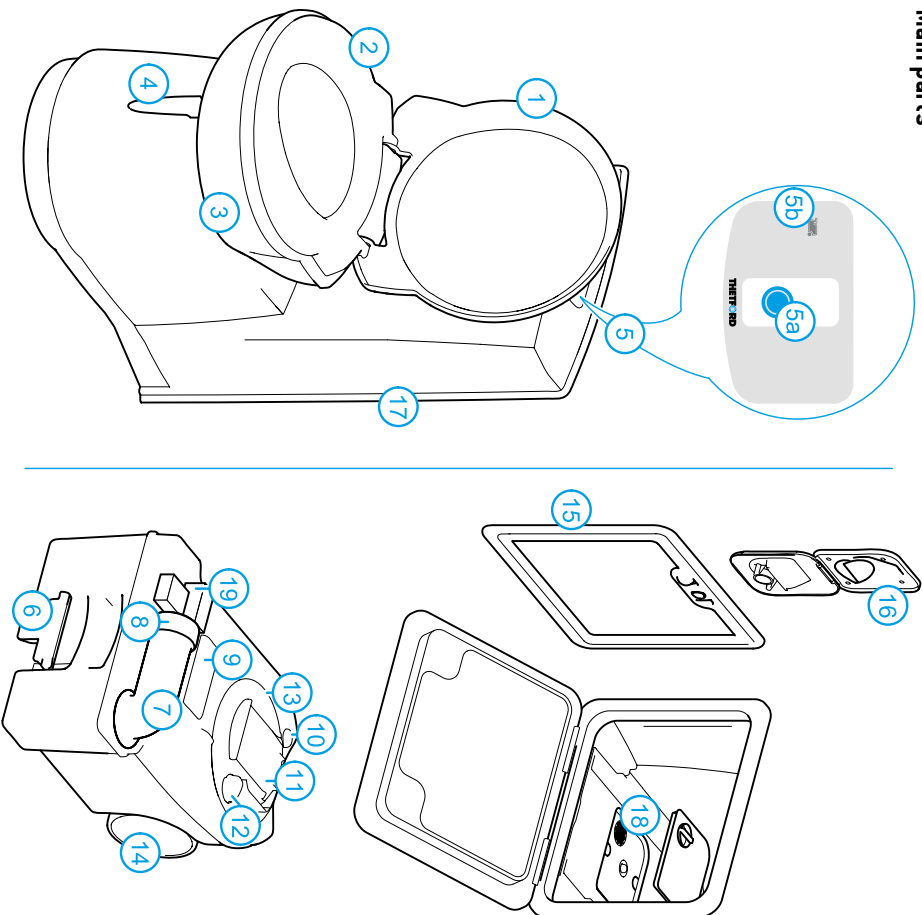
### Emptying waste-holding tank



### Emptying flush-water tank (only for C262-models)



## Main parts



## 1 Introduction

This Thetford Cassette Toilet is a high quality product. It is user-friendly, meets high quality standards and gives you all the convenience of home.

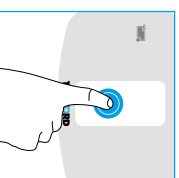
Before operating and using this toilet we advise you to read the manual completely. Keep this manual in a safe place for future reference.

For the latest version of the manual please visit [www.thetford.eu](http://www.thetford.eu)

## Symbols used

- OK
- Tip
- Special attention required
- Caution [possible risk of injury or product damage]

## 2 Possible toilet options



Some toilets are fitted with extra options. To check which options are available, press the flush button on the control panel.

The following symbols can light up:

- Waste Pump-Out system; transfers waste from the waste-holding tank into the vehicle's central waste tank
- Electric Blade; electrically opens or closes the blade
- Electric Ventilator; draws unpleasant odours away from the waste tank to the outside of the vehicle

You will find additional instructions to these options in the blue text boxes. Thoroughly read the applicable instructions.

## 3 Preparing for use

This Cassette Toilet has a waste-holding tank of 17.5L. A C262-model also has its own 8L flush-water tank. Before using your toilet, it is vital that you add toilet additives to these tanks. Check the correct dosage on the additive package. Then add  $\pm$ 3L of water to the waste-holding tank. Fill the flush-water tank of a C262-model to the top.

*Electric Ventilator (if applicable)*

Open the service door and remove the waste-holding tank. Then remove the filter housing cover and place the new filter into the filter housing. Replace the cover and return the waste-holding tank back to original position.

Never add toilet additives directly via the blade as this could damage the lip seal of the waste-holding tank. Only fill the waste-holding tank via the pour out spout.

Never use force if you cannot get the waste-holding tank back into place easily. If blockage occurs, always check if the blade handle is in the closed position.

See 'Quick Guide' diagrams 1-20 for visual reference. To depressurise the waste-holding tank, press the vent button before placing the tank back in its position.

Theford offers a pleasantly scented toilet fluid for the flush-water tank (Aqua Rinse) and a variety of waste-holding tank products (Aqua Kem Blue, Aqua Kem Green, Aqua Kem Natural, Aqua Kem Sachets).



Aqua Rinse keeps the flush water fresh, ensures a smooth flush and leaves a protective layer. All products for the waste-holding tank suppress unpleasant smells, stimulate the breakdown of waste, reduce the formation of gas, protect moving parts and help to keep the waste-holding tank fresh and clean. For the differences between the distinguishing qualities of each waste-holding tank product please visit [www.thetford.eu](http://www.thetford.eu).

**Standard**

- 1 Cover • 2 Seat • 3 Swiveling toilet bowl • 4 Blade handle to open/close blade • 5 Control panel [position is different on C263-models] • 5a Flush button • 5b Waste-holding tank level indication [1 level for 3 levels; dependent on model] • 6 Pull handle • 7 Pour out spout • 8 Cap with measuring cup • 9 Automatic pressure release vent • 10 Vent button • 11 Sliding cover • 12 Blade opener • 13 Waste-holding tank mechanism • 14 Wheel • 15 Service door • 3

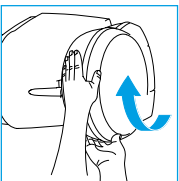
## Options

- 16 Waterfill door (only for C262-models) • 17 Console with flush-water tank (only for C262-models)
- 18 Filter for Electric Ventilator • 19 Location Waste Pump-Out system

The range of available Toilet Care products may vary for each country.

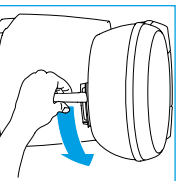
#### 4 Use of your toilet

##### Turning the bowl



You can turn this bowl to a desired position (max.  $\pm 90^\circ$ ). Close the cover and use both hands to rotate the bowl as illustrated.

##### Opening the blade

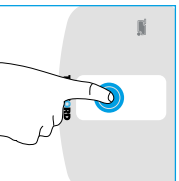


The toilet can be used with the blade open or closed. To open the blade, slide the blade handle sideways as illustrated. Make sure you always close the blade completely after use.

##### Electric Blade (if applicable)

Press the flush button to activate the control panel. Then push the Electric Blade button. The blade will open or close electrically.

##### Flushing the toilet



Press the flush button once to activate the control panel. Then press the flush button for several seconds to flush the toilet.

##### Electric Ventilator (if applicable)

By activating the control panel, the Electric Ventilator starts automatically. The button will flash to indicate that this function is active. To stop the Electric Ventilator, press the button. Press the button again to re-start the ventilator. To optimise its function, activate the Electric Ventilator before use of your toilet.

Even without an own flush-water tank you can still use Aqua Rinse for a smooth and fresh lavender-scented flush. Simply spray Aqua Rinse with a spray can evenly into the toilet bowl before use.

Ordinary toilet paper can cause clogging. Use Aqua Soft toilet paper instead. This toilet paper is super-soft, dissolves quickly, prevents clogging and makes it easier to empty the waste-holding tank.



##### Level indication

You can check whether your waste-holding tank has a 1-level or a 3-level indication. Make sure the tank is empty and place it back properly. Then activate the control panel. If no level indication light lights up, your toilet has a 1-level indication. It will only indicate a full tank. If a green level indication light immediately lights up, your toilet has a 3-level indication. It will indicate empty, half full and full.

#### 5 Emptying the tank

##### Waste-holding tank

When the red light of the level indicator on the control panel lights up, you need to empty the waste-holding tank. Remove the tank via the service door. Then take it to an authorised waste disposal point. Empty the waste-holding tank via the pour out spout.

To empty the tank without splashing, press and hold the vent button with your thumb while the pour out spout is pointing downwards.



##### Waste Pump-Out system (if applicable)

By activating the control panel, this button automatically lights up. Press the button to empty the waste-holding tank into the vehicle's central waste tank. The button flashes while the waste is being pumped and stops flashing when all waste has been transferred. ( $\pm 1.5l$  of waste is left). If the central waste tank is too full (only measured when this tank has a level indicator), the button flashes rapidly and no pump-out is possible until you have emptied the central waste tank.

See 'Quick Guide' diagrams 21-32 for visual reference. If you want to continue using your toilet after emptying, prepare the waste-holding tank again.

Our 'green' products Aqua Kem Green, Aqua Kem Natural and Aqua Rinse (test ISO 11734) are absolutely safe to empty into a septic tank or small biological systems on camping sites.

Please avoid to travel with a waste-holding tank that is more than  $\frac{3}{4}$  full. This may cause leakage through the venting system.

##### Flush-water tank (only for C262-models)

The flush-water tank has a capacity of 8L. Only empty the flush-water tank completely if you don't expect to use your toilet for a long (winter) period. Place a sufficiently large bowl under the drain tube and catch the remaining water. Empty this bowl at an authorised waste disposal point.

See 'Quick Guide' diagrams 33-38 for visual reference.

To prevent water damage to your caravan or motor home, ensure that you don't travel with a full flush-water tank or with water in the bowl.

#### 6 Cleaning

Just like your toilet at home, it is also important to clean this Cassette Toilet regularly. You will prevent limescale and ensure optimal hygiene. Clean the inside of the bowl with Toilet Bowl Cleaner and a soft brush and use Bathroom Cleaner for the outside of the toilet.



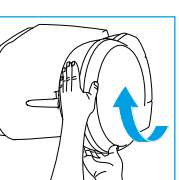
Never use household cleaners to clean your toilet. These may cause permanent damage to the seals and other toilet components.



##### Waste Pump-Out system (if applicable)

Fill the emptied waste-holding tank with water and place the tank back. Then activate the control panel. Press the Waste Pump-Out system button to pump the water through the system. Do this once every 3 weeks.

#### Remove seat & cover



To clean your toilet thoroughly, remove the seat and cover. First push the seat and cover together to the right, then lift them up.

#### 7 Winter use

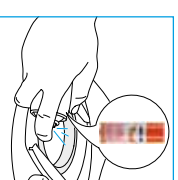
You can use your toilet as normal in cold weather as long as the toilet is situated in a heated location. If this is not the case, and there is a risk of frost, we advise not to use your toilet. Make sure you completely empty the waste-holding tank. For a C262-model also empty the flush-water tank.

Aqua Kem Sachets are particularly suitable for winter camping as the sachets are filled with powder. They completely dissolve in water, are easy to dose and economical in use.



#### 8 Maintenance

To prolong the life span of your toilet, maintain your toilet regularly. Use Cassette Tank Cleaner 2 to 3 times a year on the waste-holding tank.



It safely removes stubborn limescale on the inside of the tank. When seals become dry, use Seal Lubricant to keep the seals soft and pliable. It has been specially developed for mobile toilets and is absolutely safe to use.



Never use Vaseline or vegetable oil to lubricate the seals as these may cause leakage to your waste-holding tank.



##### Waste Pump-Out system (if applicable)

To ensure optimal functionality, maintain the waste-holding tank regularly. Fill the waste-holding tank with water and wash it. Then use Cassette Tank Cleaner. Do this every 6 weeks when on holiday.

**Electric Ventilator (if applicable)**

After approximately 4 weeks of use, the filter loses its absorption power. Remove the filter housing cover and place the new filter into the filter housing.

**9 Storage**

If you don't expect to use your toilet for a long period, you have to thoroughly empty, clean and dry the whole toilet. Also empty the flush-water tank of a C262-model. This is also a good moment to maintain your toilet. During storage we advise leaving the blade open to prevent damage to the blade and to loosen the cap of the pour-out spout to ventilate the waste-holding tank.

**Electric Ventilator (if applicable)**

Remove the filter of the filter housing.

**10 Disposal**

Your product has been designed and manufactured with high quality materials and components, which can be recycled and reused. When your toilet has reached its end of life, dispose of the product according to the local rules. Do not dispose the toilet with the normal household waste. The correct disposal of your old product will help prevent potential negative consequences for the environment and human health.

**11 Questions?**

If you require further information or have any questions about your toilet, please visit our website [www.thetford.eu](http://www.thetford.eu). If you still have questions, contact the Customer Service Department in your country or your holiday location (see the addresses on the back).

For correct and efficient support, please ensure all relevant product type information is available (see page 78).

**Spare parts**

Original Thetford spare parts are available through your own dealer or an authorised Thetford Service Centre.

**FAQ****What should I do in case of a defect on my**

**Thetford toilet?** Contact your dealer where you bought your vehicle or, if you are on holiday, contact an authorised Thetford Service Centre.

**A red light on the control panel flashes, what should I do?** Check if the waste-holding tank is present or positioned properly.

**I cannot move my waste-holding tank.** Check if the blade of your toilet is completely closed.

**What should I do when the electric blade doesn't function?** Manually open or close the blade by sliding the small handle under the toilet bowl sideways.

**What should I do if the blade is blocked?** Loosen the cap with measuring cup from the pour-out spout and try again.

**Does the toilet have a fuse?** Yes, the toilet has a maintenance-free self-resetting fuse.

**12 Warranty**

Thetford BV offers the end users of its products a three-year guarantee. In the case of malfunction within the warranty period, Thetford will replace or repair the product at its discretion. In this case, the costs of replacement, labour costs for the replacement of defective components and/or the costs of the parts themselves will be paid by Thetford.

1. To make a claim under this guarantee, the user must take the product to his dealer or an authorised Thetford Service Centre ([www.thetford.eu](http://www.thetford.eu)). The claim will be assessed there.

2. Components replaced during repair under guarantee become the property of Thetford.

3. This warranty does not prejudice current consumer protection laws.

4. This warranty is not valid in the case of products that are for, or are used for, commercial purposes.

Guarantee claims falling into one of the following categories will not be accepted: • the product has been improperly used, or the instructions in the manual have not been followed (for example incorrect use of additives) • the product has not been installed in accordance with the instructions • alterations have been made to the product • the product has been repaired by an unauthorised

Thetford Service Centre • the product code or serial ID has been changed • the product has been damaged by circumstances outside the normal use of the product.

5. Not using Thetford products to care for your Thetford toilet could create some damage, which would not be covered by this warranty.

Thetford is not liable for any loss and/or damage caused directly or indirectly by use of the toilet.

*Thetford is not responsible for printing errors and reserves the right to make changes to product specifications without notice.*