

Marketed by Pacific Water Technology Pty Ltd



PACIFIC WATER TECHNOLOGY

**Purpose:** The portable water filter accessory pack is to be used for supplementary filtration after the ultrafiltration stage. The activated carbon (black powder) is to be added into the in-line cartridge as per instructions. The pack also contains Chlorine Dioxide tablets to create a disinfectant solution to sanitise the cartridge, tubing and inlet strainer. Do not drink the sanitising solution, or swallow the tablets.

**Warning:** Keep the water filter accessory pack away from children.

# Litree

## Portable Water Filter Accessory

---

## User Manual

---

## About the manual

Thank you for purchasing the portable filter accessory package, which will provide you with great tasting and safe water on your next adventure. This manual provides user and safety instructions pertaining to the use of this accessory to your Litree travel pack.

## Contents

Packing List.....	1
Safety Considerations.....	2
Use of activated carbon cartridge.....	3
Use of Effervescent tablets.....	5



**Please read the documentation first**

1. Please carefully read all the instructions prior to usage in order to avoid damage to equipment or cause personal injury.
2. The instructions are based on the equipment default supply.
3. Images portrayed in this manual may differ slightly from actual product supplied.
4. Pacific Water Technology does not accept any responsibility for incorrect usage of the accessory pack and it's entire contents.
5. Please retain manual for future reference.

## Packing List

Item	Unit	Quantity
Activated carbon cartridge set	set	1
Activated carbon	foil pack	10
Effervescent tablets	piece	12
User Manual	piece	1

## Safety Considerations



**Before using this product please carefully read all instructions.**



**Store carefully in order to prevent any damage to contents.**



**Do not eat or swallow items contained in the pack. Keep away from children!**



**This product contains oxidising agent- store in cool dry place away from any ignition source.**

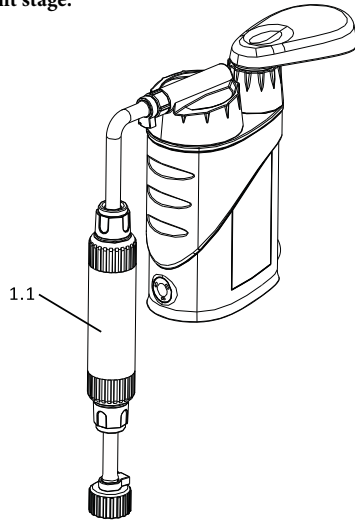


**This accessory pack is to be used with the Litree Travel Pack only.**

## Use of Activated Carbon Cartridge

The activated carbon is used to adsorb contaminants in the water including organics like tannins, and other contaminants that impact on odour and taste of the water. Activated carbon is an approved filter medium for potable water treatment applications.

**Installation:** Install the activated carbon cartridge with integral tubing and screw cap to the outlet of the portable water filter as demonstrated below. If the existing outlet tubing is connected to the outlet, first remove this to accommodate the screw cap of the alternative activated carbon post treatment stage.

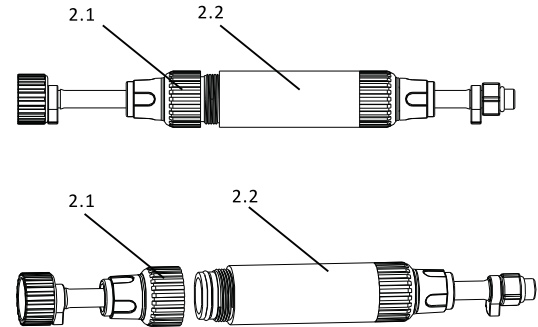


Pic 1

## Adding Activated Carbon into the Cartridge

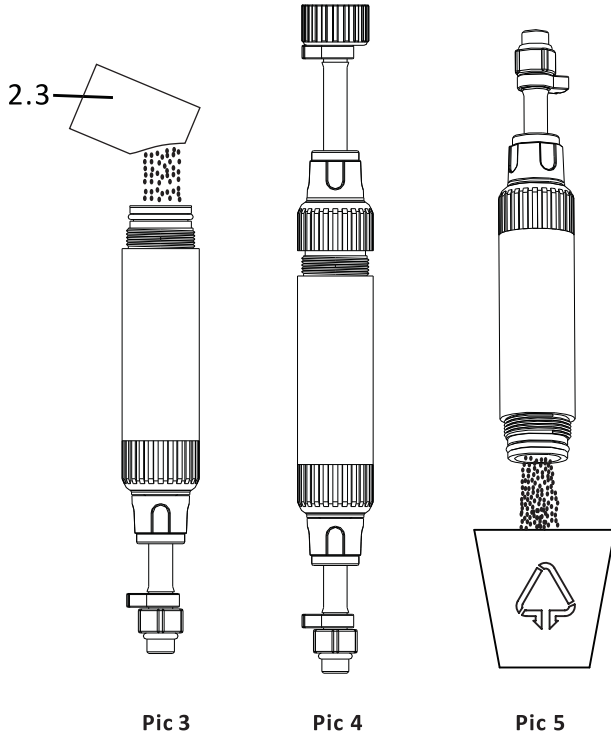
The activated carbon cartridge is an empty refillable cartridge that includes screens on either side to prevent loss of filtration media.

To add activated carbon, cut the corner of one of the silver packs. Unscrew the cartridge cap at the outlet counter clockwise to open the compartment of the cartridge. Pour the contents of the silver pack (black powder) into the cartridge, and replace cap. The activated carbon needs to be replaced when exhausted, and the contents disposed off carefully. The activated carbon should be replaced when unacceptable odour or taste is evident.



Pic 2

## Adding activated carbon into the cartridge



Pic 3

Pic 4

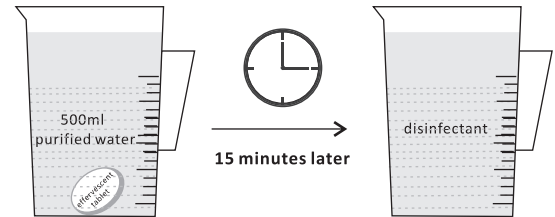
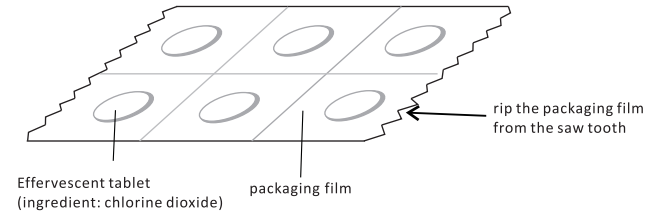
Pic 5

## Use of Effervescent Tablets

### Use of Effervescent Tablets

The effervescent tablets contain Chlorine Dioxide and used for sanitising the pre-filter and tubing only. For more details refer to the Portable Filter Manual.

To prepare a sanitising solution simply reip the blister pack to expose one tablet ( 1 gram) of Chlorine Dioxide and add to about 500 ml of water. Allow 15 minutes for tablet to dissolve, and the water will contain disinfectant of approximately 100-200 ppm.



Pic 6