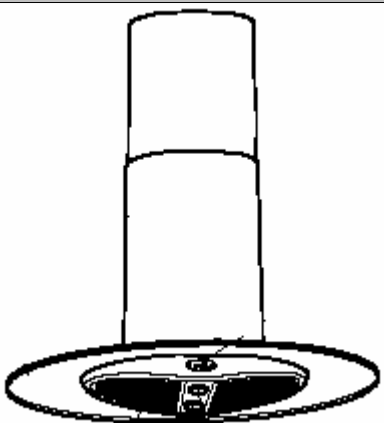
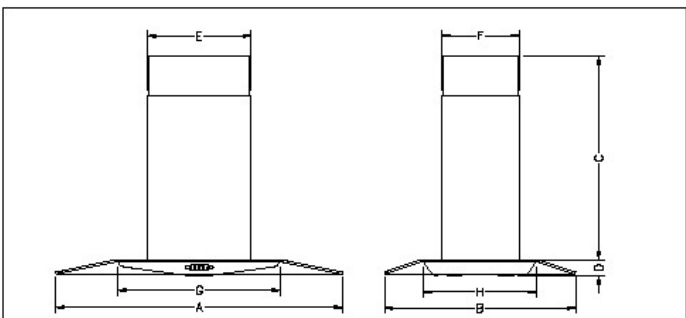
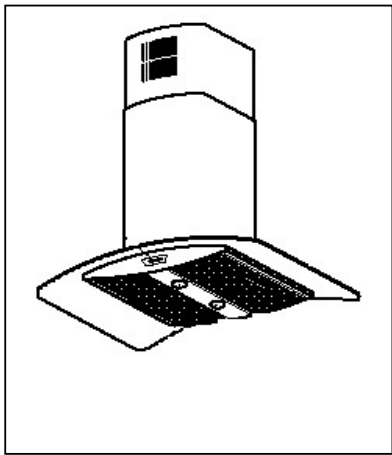
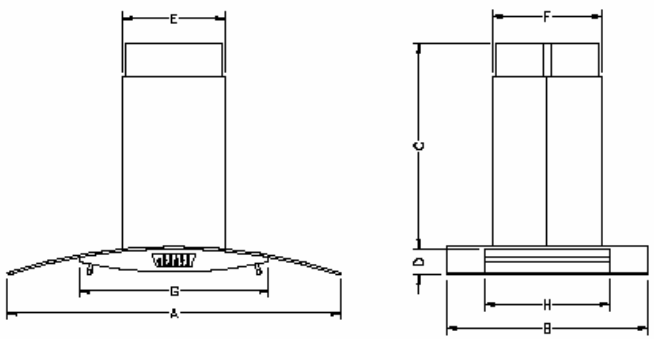
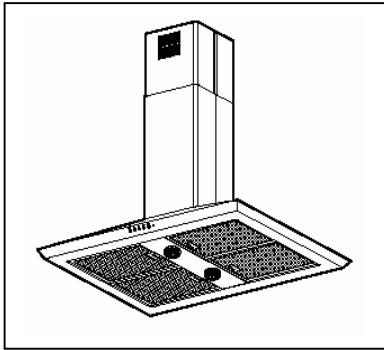
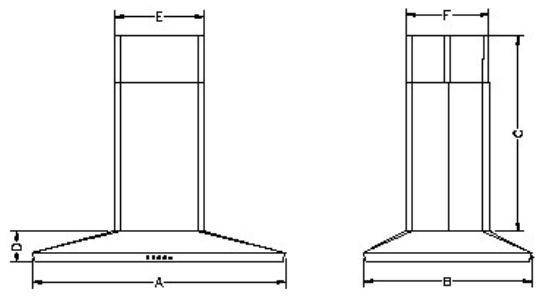
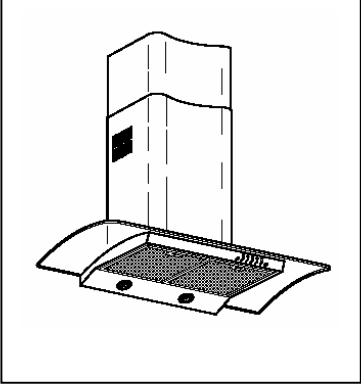
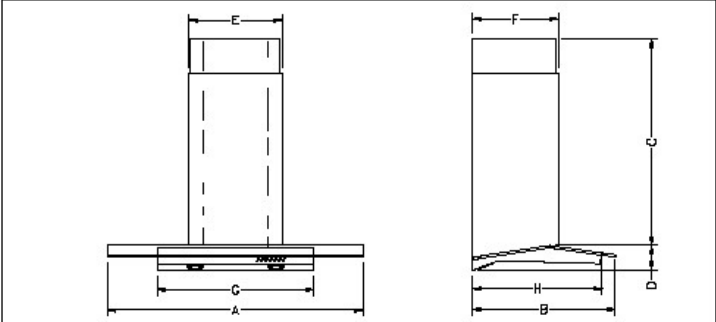
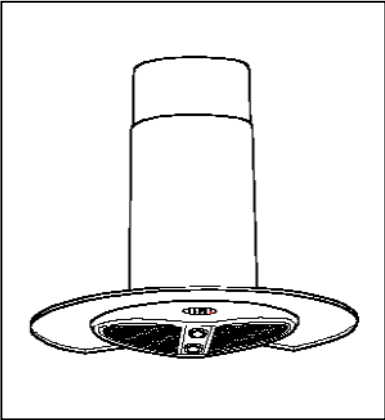
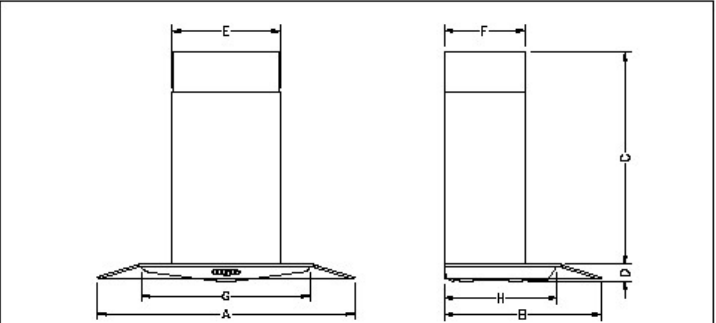
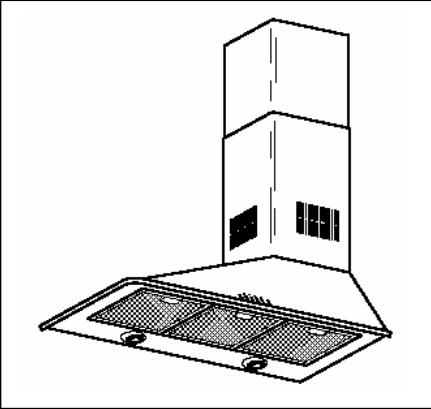
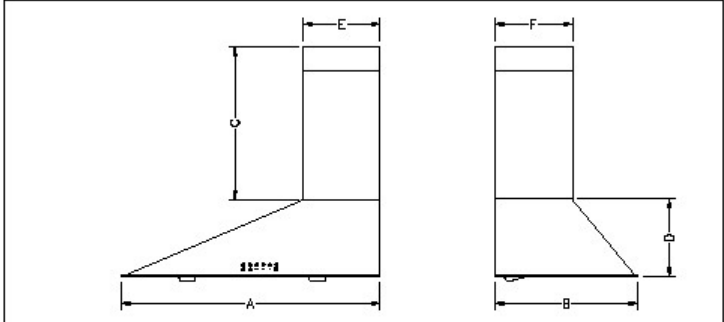


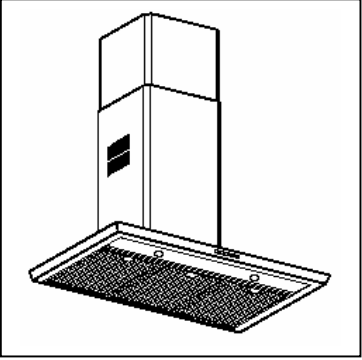
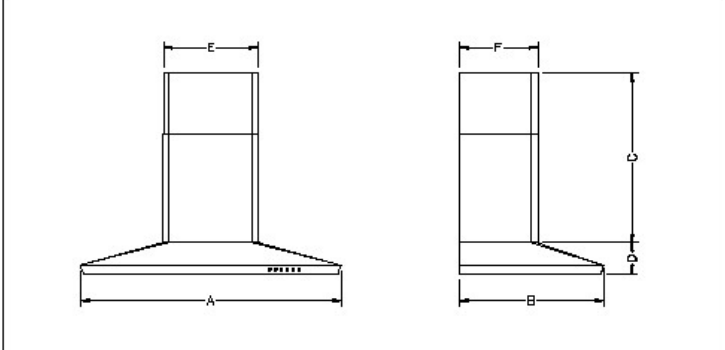
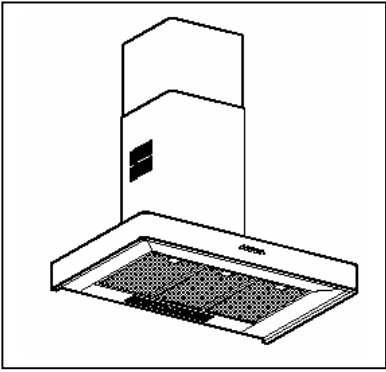
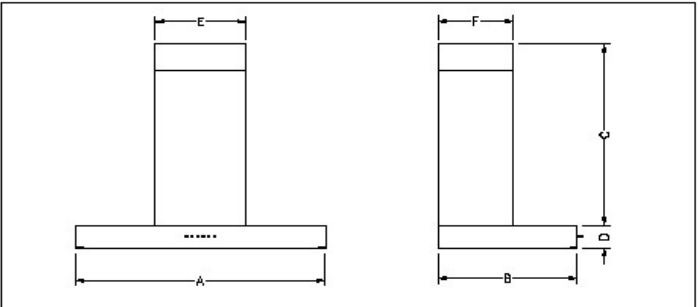
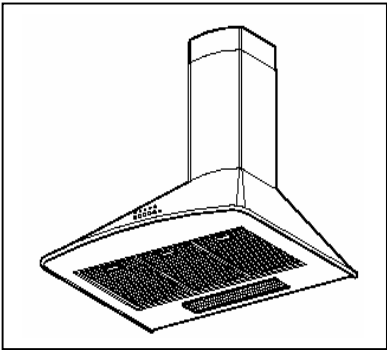
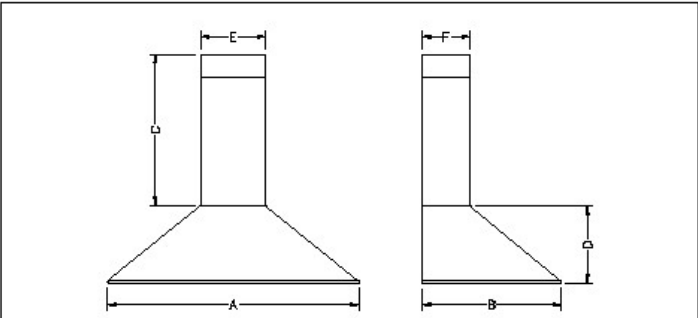
5 DECORATIVE HOODS

When fitting a decorative hood, there are a number of important factors to bear in mind. These include:

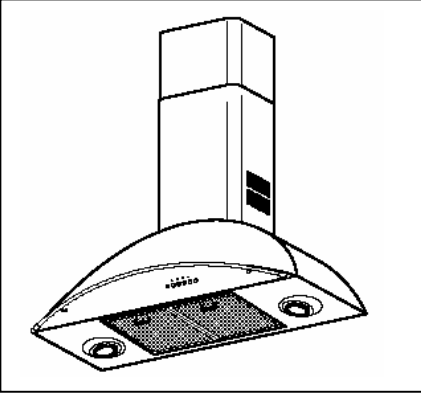
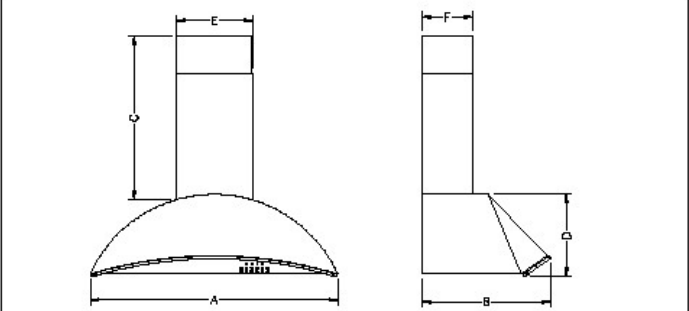
- ❑ Before installing the hood, check that there are is no aesthetic damage, such as scratches or dents before you procede.
- ❑ Check that all the technical information appearing on the specification plate corresponds to the characteristics of the mains electrical supply in question (voltage and frequency).
- ❑ Respect at all times the local regulations referring to electrical installation and evacuation of gases.
- ❑ The appliance should be connected to the mains supply via a suitable omnipolar switch with a 3 mm miminum gap between contacts.
- ❑ Do not connect the appliance to ducts used for the evacuation of gases of a non-electrical nature, such as boilers, chimneys etc.
- ❑ Do not start up the appliance if the mains cable or control panel appear to be damaged in any way.
- ❑ Once the apparatus has been fitted, ensure that the mains cable does not come into contact with sharp metal edges.
- ❑ Minimum distances between the hob and hood should be strictly observed: 60cm for electric hobs 70 cm for gas and mixed hobs.
- ❑ For optimum performance, theexit duct should not exceed 4 metres in length, nor have more than two 90° bends, and its diameter should be at least 120 mm.

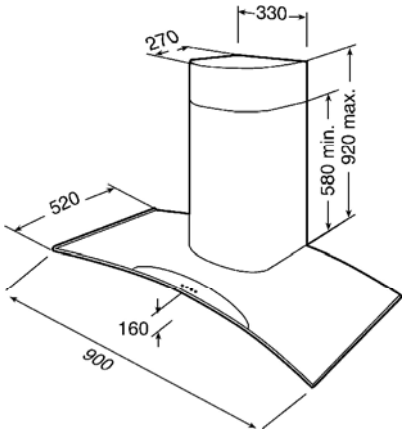
Model	Dimensions																																								
 <p>ISLA</p>	 <table border="1" style="margin-left: auto; margin-right: auto;"> <thead> <tr> <th rowspan="2">A</th> <th rowspan="2">B</th> <th colspan="2">C</th> <th rowspan="2">D</th> <th rowspan="2">E</th> <th rowspan="2">F</th> <th rowspan="2">G</th> <th rowspan="2">H</th> </tr> <tr> <th>MIN</th> <th>MAX</th> </tr> </thead> <tbody> <tr> <td>1050</td> <td>700</td> <td>815</td> <td>1115</td> <td>60</td> <td>390</td> <td>345</td> <td>600</td> <td>415</td> </tr> </tbody> </table>	A	B	C		D	E	F	G	H	MIN	MAX	1050	700	815	1115	60	390	345	600	415																				
A	B			C							D	E	F	G	H																										
		MIN	MAX																																						
1050	700	815	1115	60	390	345	600	415																																	
 <p>ND ALADA ISLA</p>	 <table border="1" style="margin-left: auto; margin-right: auto;"> <thead> <tr> <th>mm</th> <th>A</th> <th>B</th> <th colspan="2">C</th> <th>D</th> <th>E</th> <th>F</th> <th>G</th> <th>H</th> </tr> <tr> <td></td> <td></td> <td></td> <th>MIN</th> <th>MAX</th> <td></td> <td></td> <td></td> <td></td> <td></td> </tr> </thead> <tbody> <tr> <td>CRISTAL</td> <td>1100</td> <td>650</td> <td>780</td> <td>1130</td> <td>120</td> <td>350</td> <td>360</td> <td>625</td> <td>410</td> </tr> <tr> <td>INOX</td> <td></td> <td>730</td> <td></td> <td></td> <td></td> <td></td> <td></td> <td></td> <td></td> </tr> </tbody> </table>	mm	A	B	C		D	E	F	G	H				MIN	MAX						CRISTAL	1100	650	780	1130	120	350	360	625	410	INOX		730							
mm	A	B	C		D	E	F	G	H																																
			MIN	MAX																																					
CRISTAL	1100	650	780	1130	120	350	360	625	410																																
INOX		730																																							
 <p>DS ISLA</p>	 <table border="1" style="margin-left: auto; margin-right: auto;"> <thead> <tr> <th rowspan="2">A</th> <th rowspan="2">B</th> <th colspan="2">C</th> <th rowspan="2">D</th> <th rowspan="2">E</th> <th rowspan="2">F</th> </tr> <tr> <th>MIN</th> <th>MAX</th> </tr> </thead> <tbody> <tr> <td>900</td> <td>600</td> <td>820</td> <td>1120</td> <td>110</td> <td>320</td> <td>300</td> </tr> </tbody> </table>	A	B	C		D	E	F	MIN	MAX	900	600	820	1120	110	320	300																								
A	B			C					D	E	F																														
		MIN	MAX																																						
900	600	820	1120	110	320	300																																			

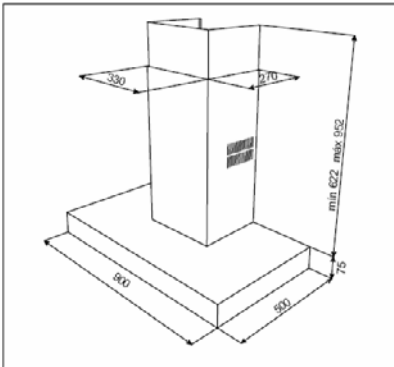
Model	Dimensions																				
 <p>CL 90</p>	 <table border="1" data-bbox="751 751 1463 842"> <thead> <tr> <th rowspan="2">A</th> <th rowspan="2">B</th> <th colspan="2">C</th> <th rowspan="2">D</th> <th rowspan="2">E</th> <th rowspan="2">F</th> <th rowspan="2">G</th> <th rowspan="2">H</th> </tr> <tr> <th>MIN</th> <th>MAX</th> </tr> </thead> <tbody> <tr> <td>900</td> <td>500</td> <td>550</td> <td>910</td> <td>85</td> <td>330</td> <td>300</td> <td>550</td> <td>450</td> </tr> </tbody> </table>	A	B	C		D	E	F	G	H	MIN	MAX	900	500	550	910	85	330	300	550	450
A	B			C							D	E	F	G	H						
		MIN	MAX																		
900	500	550	910	85	330	300	550	450													
 <p>DX 90</p>	 <table border="1" data-bbox="751 1297 1463 1388"> <thead> <tr> <th rowspan="2">A</th> <th rowspan="2">B</th> <th colspan="2">C</th> <th rowspan="2">D</th> <th rowspan="2">E</th> <th rowspan="2">F</th> <th rowspan="2">G</th> <th rowspan="2">H</th> </tr> <tr> <th>MIN</th> <th>MAX</th> </tr> </thead> <tbody> <tr> <td>900</td> <td>515</td> <td>590</td> <td>920</td> <td>60</td> <td>385</td> <td>300</td> <td>600</td> <td>400</td> </tr> </tbody> </table>	A	B	C		D	E	F	G	H	MIN	MAX	900	515	590	920	60	385	300	600	400
A	B			C							D	E	F	G	H						
		MIN	MAX																		
900	515	590	920	60	385	300	600	400													
 <p>ASYMETRIC DA 90</p>	 <table border="1" data-bbox="751 1833 1471 1923"> <thead> <tr> <th rowspan="2">A</th> <th rowspan="2">B</th> <th colspan="2">C</th> <th rowspan="2">D</th> <th rowspan="2">E</th> <th rowspan="2">F</th> </tr> <tr> <th>MIN</th> <th>MAX</th> </tr> </thead> <tbody> <tr> <td>900</td> <td>500</td> <td>440</td> <td>870</td> <td>270</td> <td>265</td> <td>270</td> </tr> </tbody> </table>	A	B	C		D	E	F	MIN	MAX	900	500	440	870	270	265	270				
A	B			C					D	E	F										
		MIN	MAX																		
900	500	440	870	270	265	270															

Model	Dimensions																						
 <p data-bbox="224 821 412 852">DS 60.1/70/90</p>	 <table border="1" data-bbox="753 758 1474 846"> <thead> <tr> <th rowspan="2">A</th> <th rowspan="2">B</th> <th colspan="2">C</th> <th rowspan="2">D</th> <th rowspan="2">E</th> <th rowspan="2">F</th> </tr> <tr> <th>MIN</th> <th>MAX</th> </tr> </thead> <tbody> <tr> <td>600</td> <td>480</td> <td>590</td> <td>950</td> <td>110</td> <td>280</td> <td rowspan="2">275</td> </tr> <tr> <td>700/900</td> <td>500</td> <td></td> <td></td> <td>100</td> <td>330</td> </tr> </tbody> </table>	A	B	C		D	E	F	MIN	MAX	600	480	590	950	110	280	275	700/900	500			100	330
A	B			C					D	E	F												
		MIN	MAX																				
600	480	590	950	110	280	275																	
700/900	500			100	330																		
 <p data-bbox="224 1356 391 1388">DI 70/90/110</p>	 <table border="1" data-bbox="748 1276 1442 1356"> <thead> <tr> <th rowspan="2">A</th> <th rowspan="2">B</th> <th colspan="2">C</th> <th rowspan="2">D</th> <th rowspan="2">E</th> <th rowspan="2">F</th> </tr> <tr> <th>MIN</th> <th>MAX</th> </tr> </thead> <tbody> <tr> <td>700/900/1100</td> <td>500</td> <td>600</td> <td>960</td> <td>90</td> <td>330</td> <td>270</td> </tr> </tbody> </table>	A	B	C		D	E	F	MIN	MAX	700/900/1100	500	600	960	90	330	270						
A	B			C					D	E	F												
		MIN	MAX																				
700/900/1100	500	600	960	90	330	270																	
 <p data-bbox="224 1860 391 1892">DM 60/70/90</p>	 <table border="1" data-bbox="769 1812 1463 1885"> <thead> <tr> <th rowspan="2">A</th> <th rowspan="2">B</th> <th colspan="2">C</th> <th rowspan="2">D</th> <th rowspan="2">E</th> <th rowspan="2">F</th> </tr> <tr> <th>MIN</th> <th>MAX</th> </tr> </thead> <tbody> <tr> <td>600/700/900</td> <td>500</td> <td>440</td> <td>800</td> <td>275</td> <td>235</td> <td>175</td> </tr> </tbody> </table>	A	B	C		D	E	F	MIN	MAX	600/700/900	500	440	800	275	235	175						
A	B			C					D	E	F												
		MIN	MAX																				
600/700/900	500	440	800	275	235	175																	

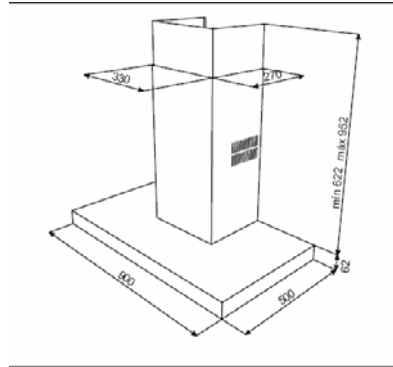
Model	Dimensions																												
	<table border="1"> <thead> <tr> <th rowspan="2">A</th> <th rowspan="2">B</th> <th colspan="2">C</th> <th rowspan="2">D</th> <th rowspan="2">E</th> <th rowspan="2">F</th> <th rowspan="2">G</th> </tr> <tr> <th>MIN</th> <th>MAX</th> </tr> </thead> <tbody> <tr> <td>600</td> <td>480</td> <td rowspan="2">440</td> <td>800</td> <td>275</td> <td rowspan="2">235</td> <td rowspan="2">175</td> <td rowspan="2">42</td> </tr> <tr> <td>700/900</td> <td>500</td> <td>285</td> </tr> </tbody> </table>	A	B	C		D	E	F	G	MIN	MAX	600	480	440	800	275	235	175	42	700/900	500	285							
A	B			C						D	E	F	G																
		MIN	MAX																										
600	480	440	800	275	235	175	42																						
700/900	500		285																										
DE 60.2 / 70.2 / 90.2																													
	<table border="1"> <thead> <tr> <th rowspan="2">mm</th> <th rowspan="2">A</th> <th rowspan="2">B</th> <th colspan="2">C</th> <th colspan="2">D</th> <th rowspan="2">E</th> <th rowspan="2">F</th> <th rowspan="2">G</th> <th rowspan="2">H</th> </tr> <tr> <th>MIN</th> <th>MAX</th> <th>MOD.20</th> <th>MOD.70</th> </tr> </thead> <tbody> <tr> <td>CRISTAL</td> <td rowspan="2">800/700</td> <td>490</td> <td>580</td> <td>950</td> <td>90</td> <td>80</td> <td>330</td> <td>297</td> <td>560</td> <td>410</td> </tr> <tr> <td>INOX</td> <td>540</td> </tr> </tbody> </table>	mm	A	B	C		D		E	F	G	H	MIN	MAX	MOD.20	MOD.70	CRISTAL	800/700	490	580	950	90	80	330	297	560	410	INOX	540
mm	A				B	C		D					E	F	G	H													
		MIN	MAX	MOD.20		MOD.70																							
CRISTAL	800/700	490	580	950	90	80	330	297	560	410																			
INOX		540																											
ND ALADA 70 / 90																													
	<table border="1"> <thead> <tr> <th rowspan="2">A</th> <th rowspan="2">B</th> <th colspan="2">C</th> <th rowspan="2">D</th> <th rowspan="2">E</th> <th rowspan="2">F</th> </tr> <tr> <th>MIN</th> <th>MAX</th> </tr> </thead> <tbody> <tr> <td>600</td> <td>495</td> <td>390</td> <td>760</td> <td>350</td> <td>210</td> <td>195</td> </tr> <tr> <td>700/900</td> <td>500</td> <td>440</td> <td>800</td> <td>290</td> <td>250</td> <td>185</td> </tr> </tbody> </table>	A	B	C		D	E	F	MIN	MAX	600	495	390	760	350	210	195	700/900	500	440	800	290	250	185					
A	B			C					D	E	F																		
		MIN	MAX																										
600	495	390	760	350	210	195																							
700/900	500	440	800	290	250	185																							
CONICAL DC 60/70/90																													

Model	Dimensions																
 <p>RUSTIC DR 90</p>	 <table border="1" data-bbox="789 806 1474 888"> <thead> <tr> <th rowspan="2">A</th> <th rowspan="2">B</th> <th colspan="2">C</th> <th rowspan="2">D</th> <th rowspan="2">E</th> <th rowspan="2">F</th> </tr> <tr> <th>MIN</th> <th>MAX</th> </tr> </thead> <tbody> <tr> <td>900</td> <td>500</td> <td>440</td> <td>800</td> <td>290</td> <td>275</td> <td>210</td> </tr> </tbody> </table>	A	B	C		D	E	F	MIN	MAX	900	500	440	800	290	275	210
A	B			C					D	E	F						
		MIN	MAX														
900	500	440	800	290	275	210											

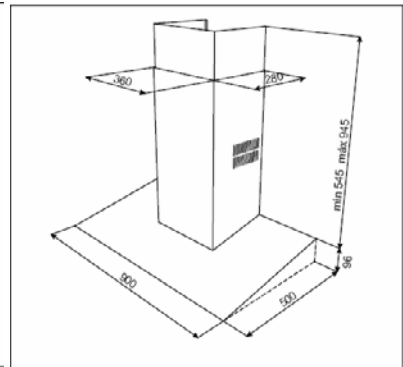
Model	Dimensions
 <p>DF 90</p>	



DP



DH



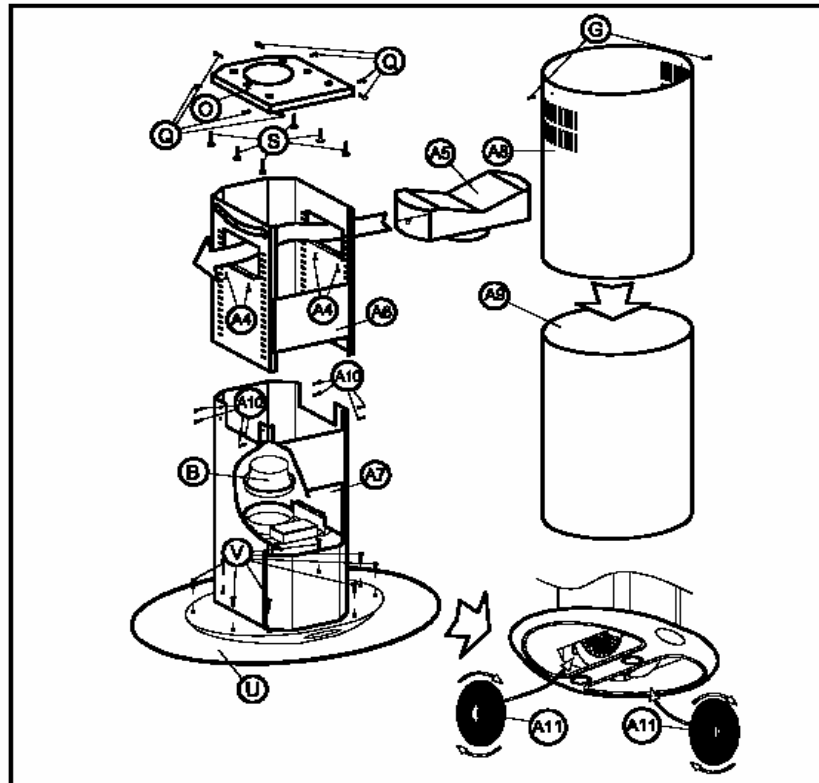
DAL

Accessories supplied with decorative hoods:

- 150/125 mm adaptor
- Anti-return valve
- Support for tube cover
- Support for wall mounting
- Screws
- Rawlplugs
- Washers

5.1 INSTALLATION OF DECORATIVE HOOD

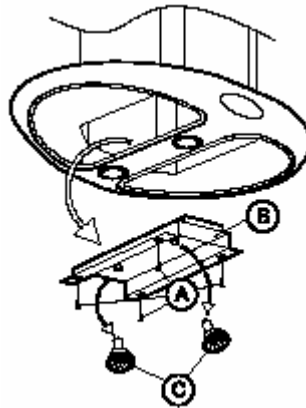
DX ISLA

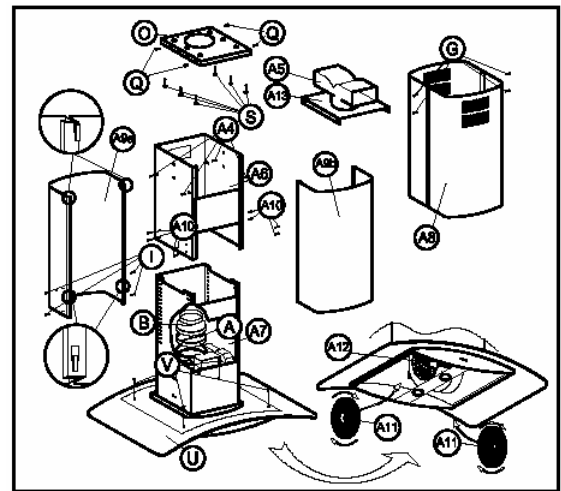
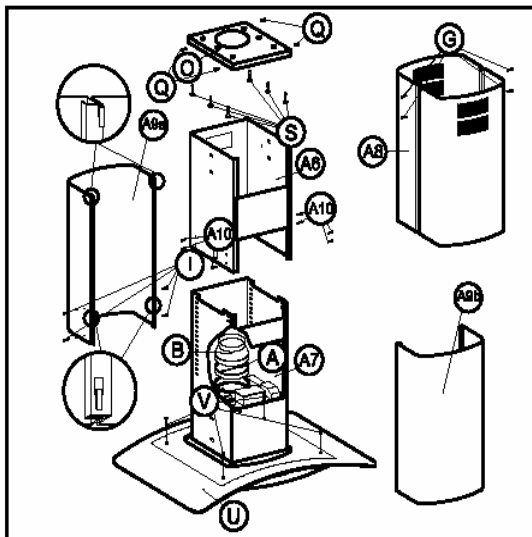


This hood should be fitted in the following way:

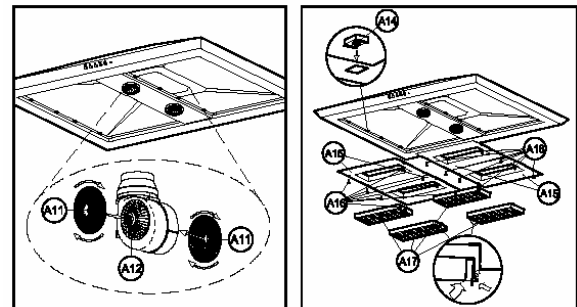
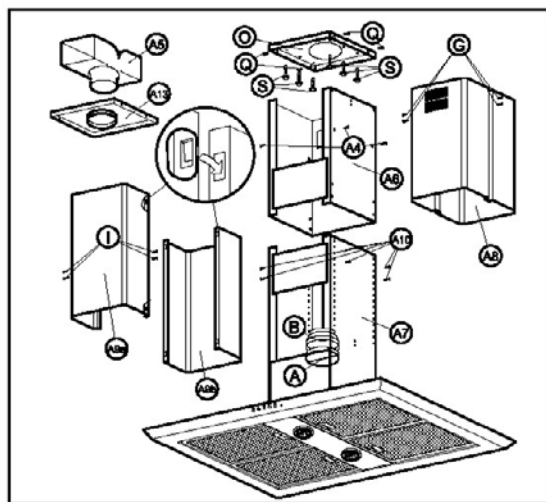
- 1) Using the support **(O)**, mark and make a small hole for the screws **(S)** (8x45) in the ceiling.
- 2) Secure the support with the corresponding screws **(S)**.
- 3) Place the upper part of the internal structure **(A6)** on the support **(O)**, with screws **(Q)** (M6x16).
- 4) Adjust the decorative supplementary piece **(U)**, carefully securing it with the screws **(V)** (M4) supplied with the piece.
- 5) Insert piece **(B)** if the interior tube (not supplied) has a diameter of 120 mm.
- 6) Secure the interior tube with a jubilee clip (not supplied) to **(B)**, or on the exit section of the motor, as appropriate.
- 7) Insert the upper tube cover **(A8)** inside the lower tube cover **(A9)**.

- 8) Adapt the combination of the lower tube cover (**A9**) and the upper tube cover (**A8**) to the lower part of the of the internal structure (**A7**) and the decorative extra piece (**U**).
- 9) Fit the whole of the combined lower piece to the upper piece and mount on the ceiling with the screws provided (**A10**) (M4 x 12), to the desired height.
- 10) Connect the upper part of the inner tube (not included) to the exit.
- 11) Lift the upper tube cover (**A8**) and secure it to the upper part with the supplied screws (**G**) (M4 x 12), with a conical head.
- 12) Adjust the decorative supplementary piece (**U**), securing it to the hood with the screws (**V**) (M4) supplied with the piece.

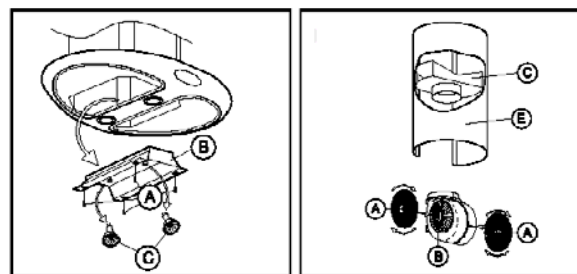
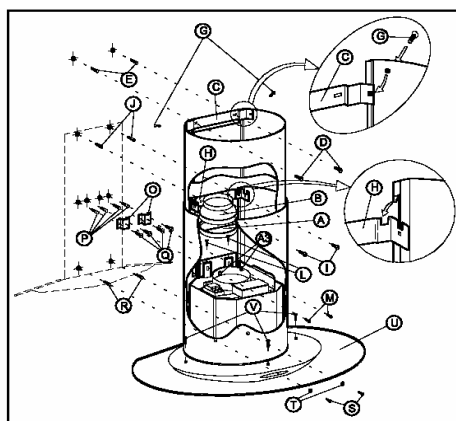




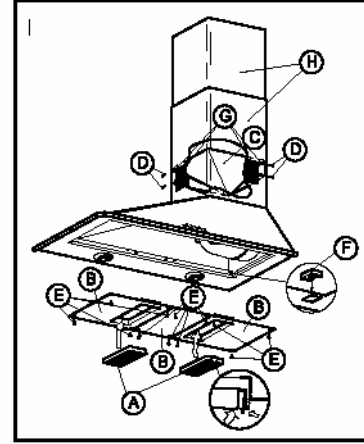
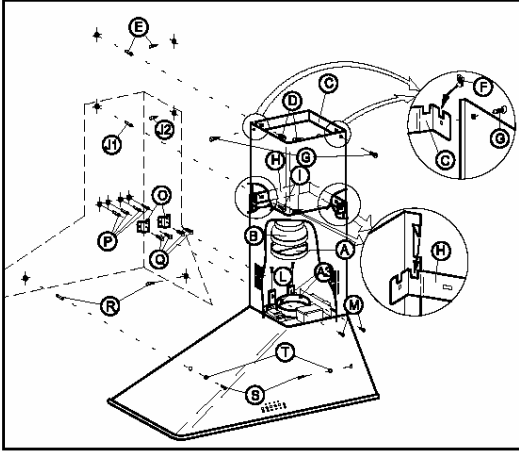
ND ALADA ISLA



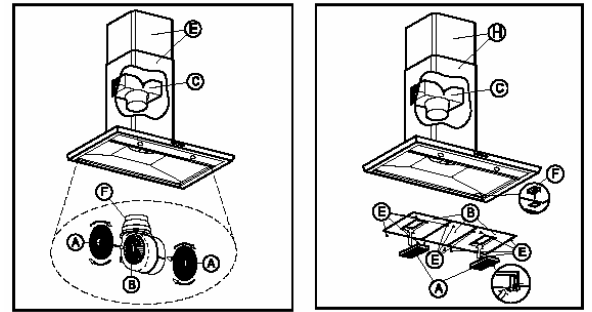
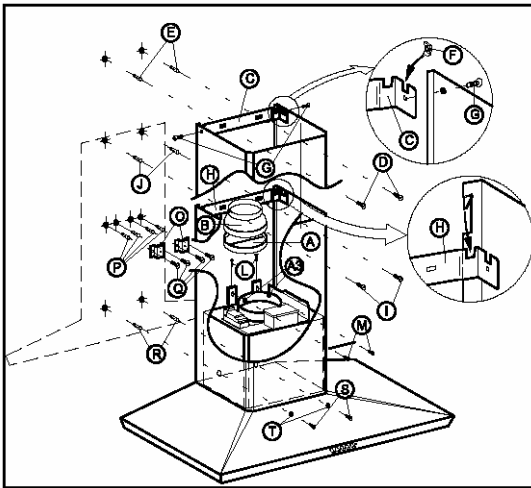
DS ISLA



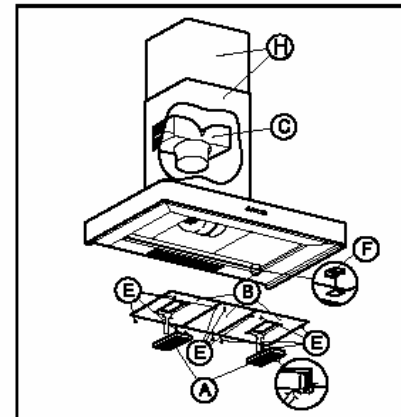
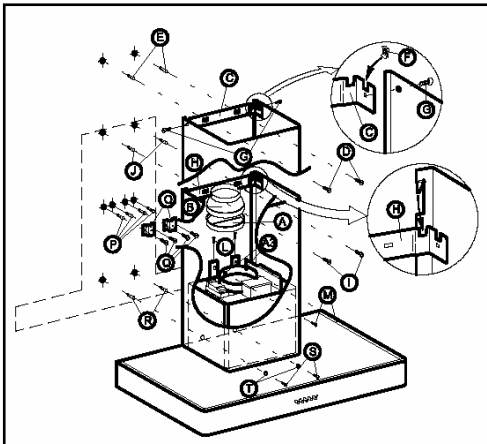
DX 90



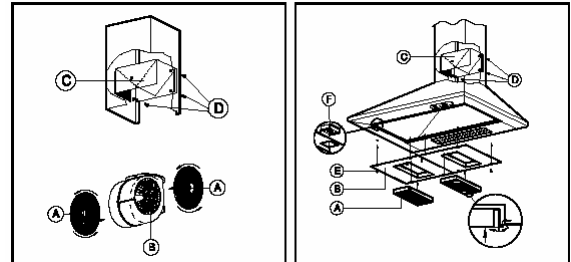
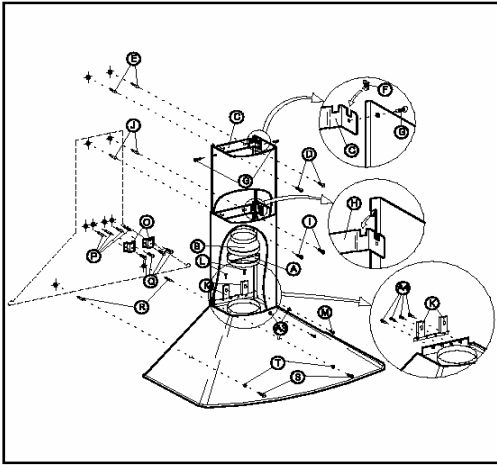
ASYMETRIC DA 90



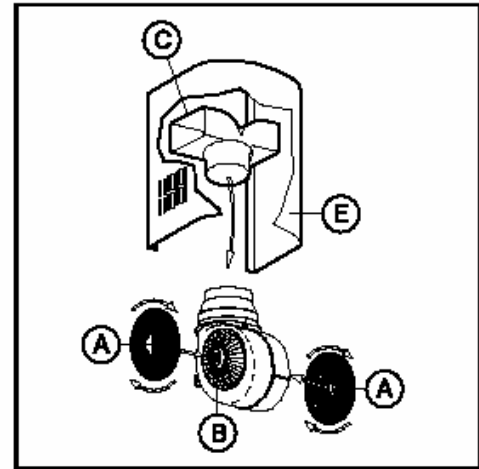
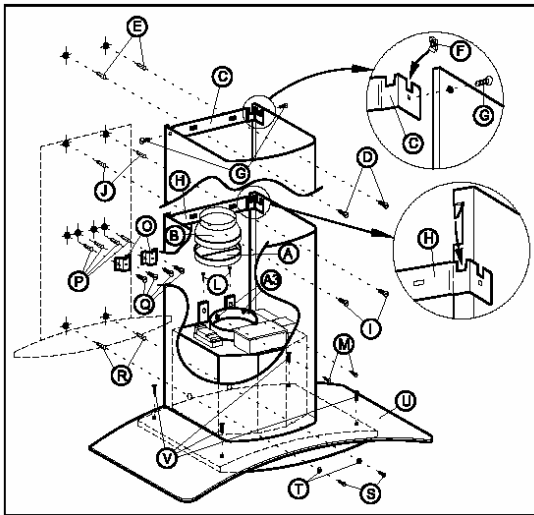
DS 60.1/70/90



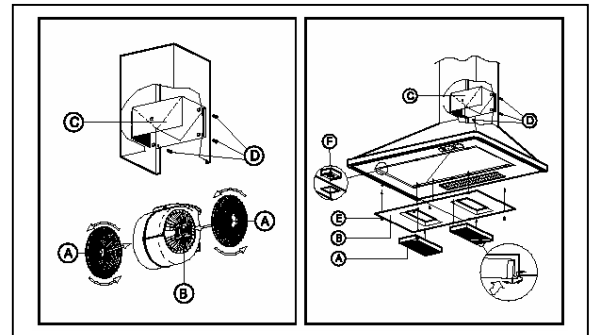
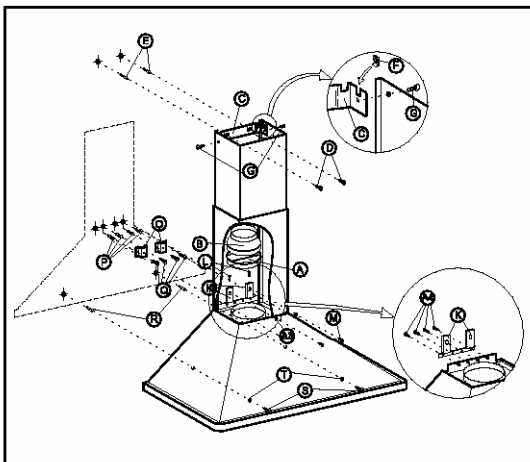
DI 70/90/110



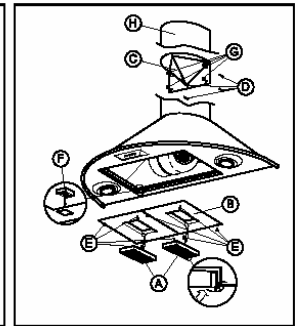
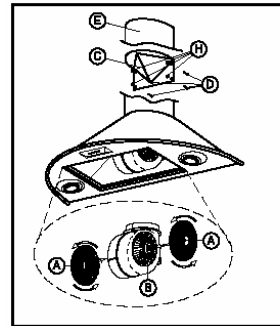
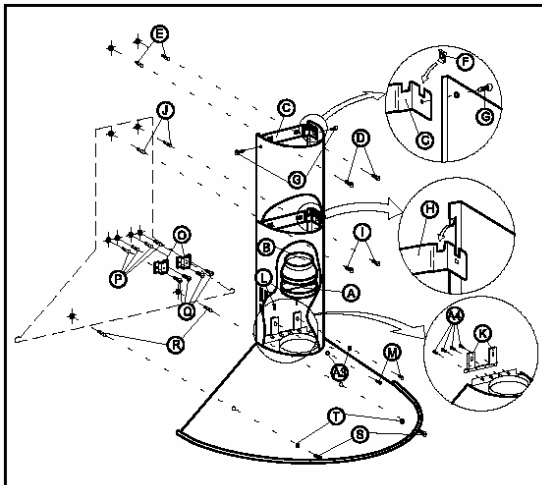
DM 60/70/90



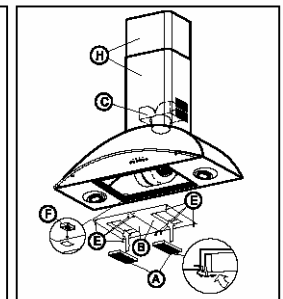
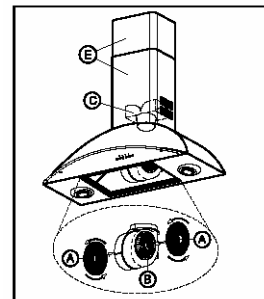
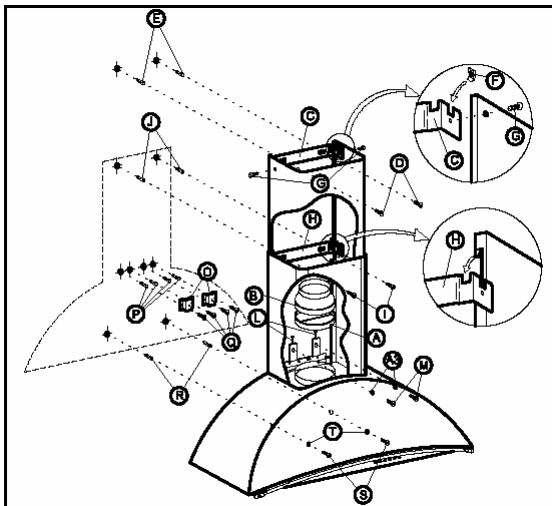
ND ALADA 70 / 90



DE 60.2 / 70.2 / 90.2



CONICAL DC



RUSTIC DR 90

5.2 ACTIVE CARBON KIT FOR AIR RECIRCULATION

When the evacuation of gases to the exterior is not possible, our hoods can be adapted to purify the air in the kitchen, making air circulation possible via active carbon filters.

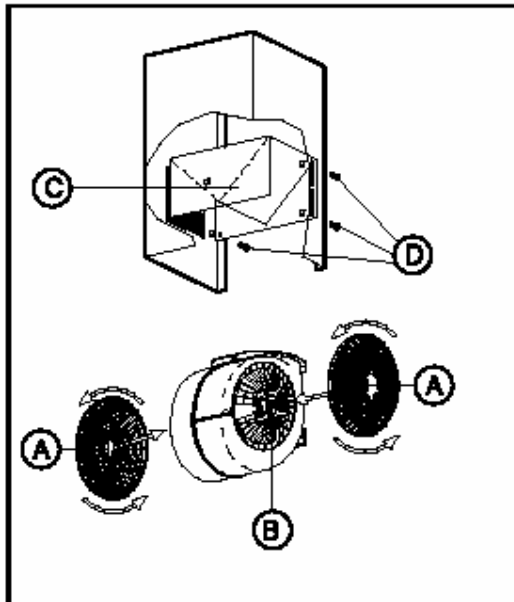
There are two types of carbon filters:

5.2.1 SET Type 1

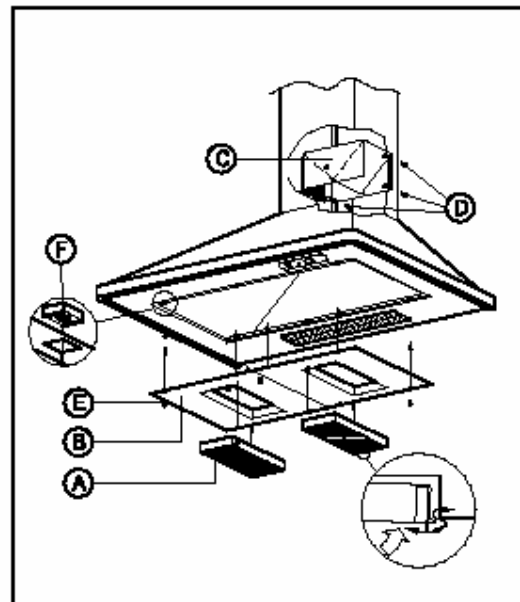
- 1) Place the filters in the lateral section of the extractor motor, making sure that the filter openings (A) coincide with the pivots (B) of the motor housing. Turn in the direction as shown in the diagram.
- 2) Remove the tube covers (E). Place the sheet (C) on the air outlet section of the motor.
- 3) Replace the tube covers (E).

5.2.2 SET Type 2

- 1) Attach the nut to the support (F) on the hood body.
- 2) Secure the supports (B) with the screws (E) to the nuts (F).
- 3) Fit the carbon filters (A) by inserting the attachment points into the support slots (B)
- 4) Remove the tube covers. Place the sheet (C) inside the lower tube cover with the screws supplied (D). Replace the tube covers.

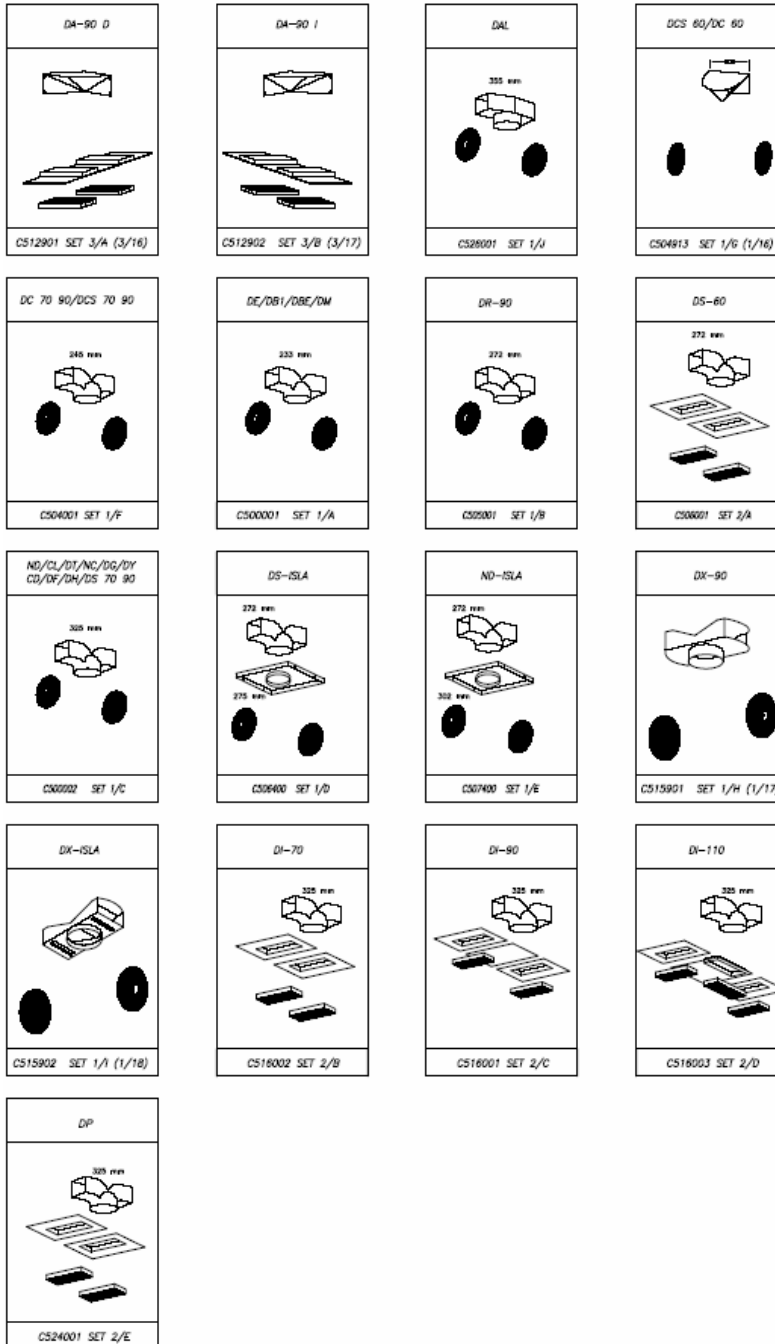


SET Type 1



SET Type 2


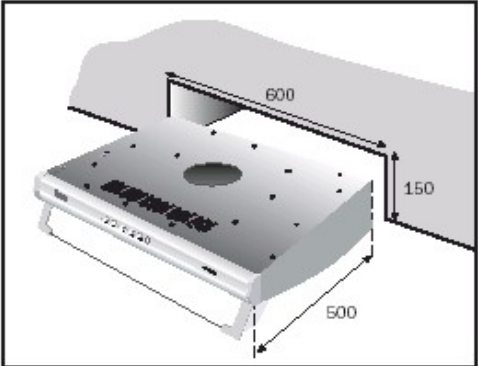
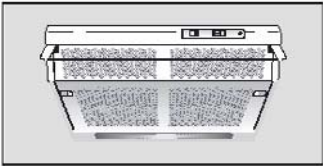
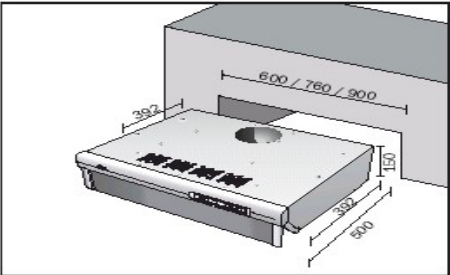
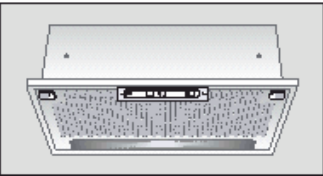

NEW RECIRCULATION KITS FROM JANUARY 2006.

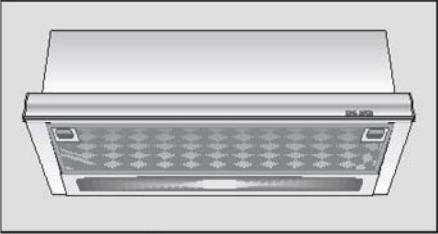
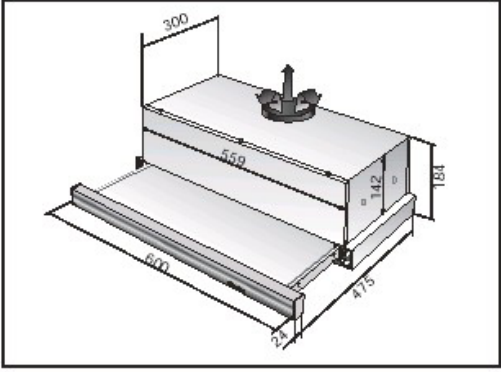


6 EXTRACTOR HOODS

During installation of extractor hoods there are a series of important factors to be taken into consideration, as outlined below:

- ❑ Check that all the technical information appearing on the specification plate corresponds to the characteristics of the mains electrical supply in question (voltage and frequency).
- ❑ Respect at all times the local regulations referring to electrical installation and evacuation of gases.
- ❑ The appliance should be connected to the mains supply via a suitable omnipolar switch with a 3 mm minimum gap between contacts.
- ❑ Do not connect the appliance to ducts used for the evacuation of gases of a non-electrical nature, such as boilers, chimneys etc.
- ❑ Do not start up the appliance if the mains cable or control panel appear to be damaged in any way.
- ❑ Once the apparatus has been fitted, ensure that the mains cable does not come into contact with sharp metal edges.
- ❑ Minimum distances between the hob and hood should be strictly observed: 60 cm for electric hobs 70 cm for gas and mixed hobs. For E/70 hobs, this distance should be 76 cm.
- ❑ For optimum performance, the outlet duct should not exceed 4 metres in length, nor have more than two 90° bends, and its diameter should be at least 120 mm.

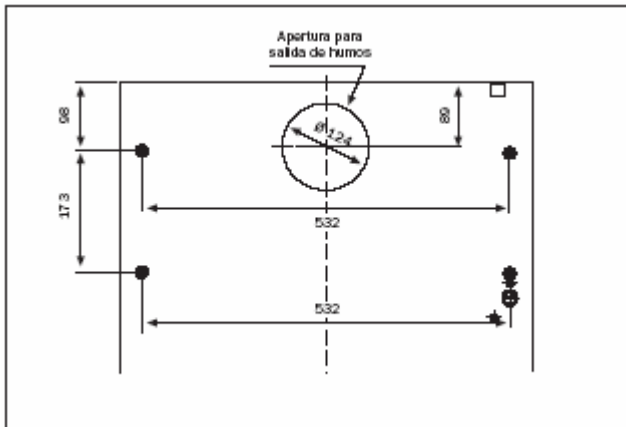
Model	Dimensions
<p style="text-align: center;">C620</p> 	
<p style="text-align: center;">C 901</p> 	
<p style="text-align: center;">GF 2</p> 	

Model	Dimensions
 <p data-bbox="420 810 633 842">CNL 1001/2002</p>	

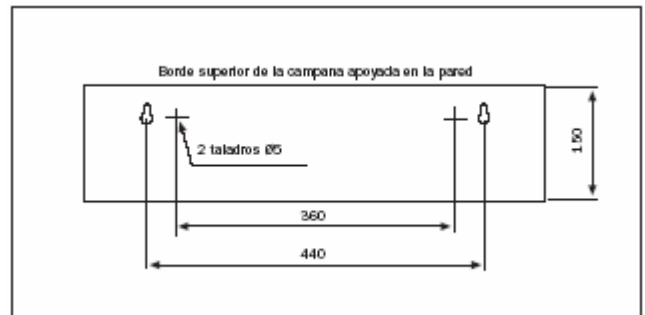
6.1 INSTALLATION OF EXTRACTOR HOOD

C-620

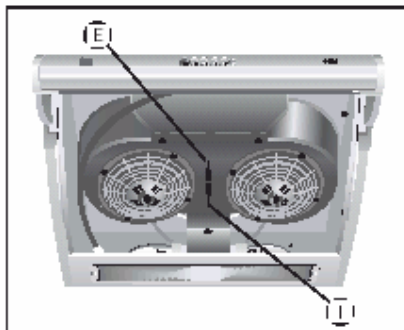
Installation diagrams for extractor hoods are as follows:



Installation under a cabinet
(Opening for smoke exhauster)



Wall installation
(Top edge of hood supported on wall)
(2 5 mm Ø drill holes)

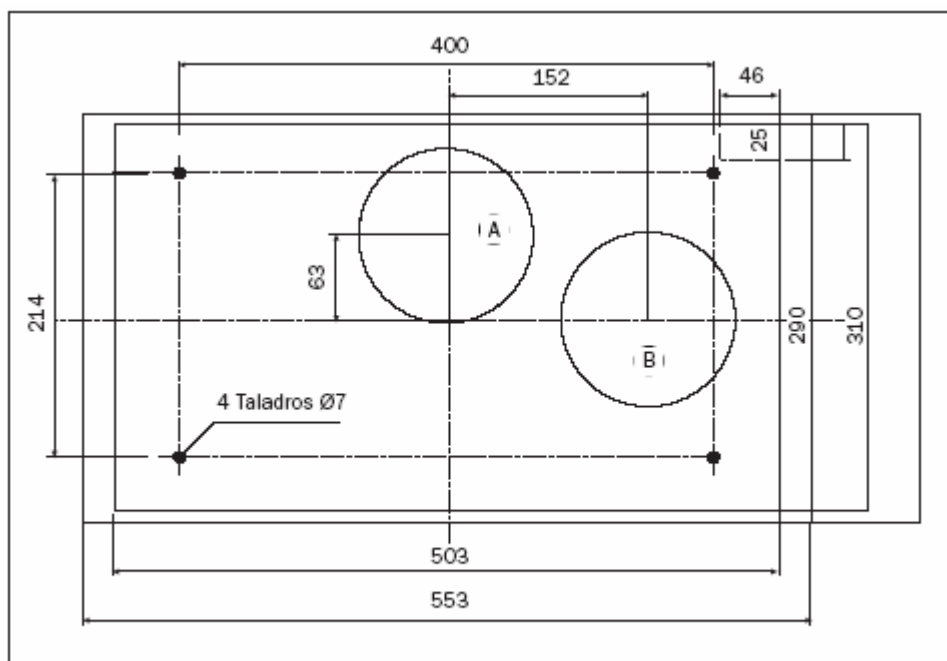


When cutting out the upper part an evacuation duct outlet must be included. In this case, the evacuation lever should be in the **“E” position**.

In the event that there is recirculation instead of evacuation, the lever should be in the **“I” position**. Ensure that the upper opening is covered.

GF1 / GF2

Diagram for installation in a kitchen cabinet



(A) Salida de 2 Motores

(B) Salida de 1 Motor

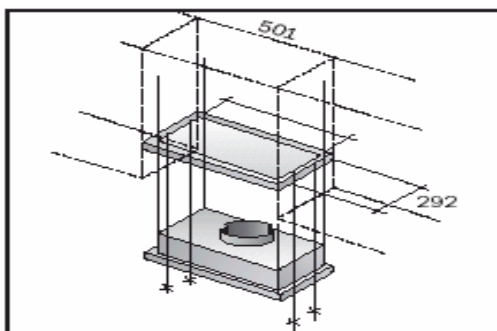
4 7 mm Ø drill holes

(A) Exit for 2 motors

(B) Exit for 1 motor

This hood can be attached in two ways:

- 1) With the screws supplied in the accessories bag, the hood is attached to the wood panel in which the recess space has previously been cut.
- 2) Via the wood panel in the upper part of the hood which has been previously cut to size in order to allow the gas outlet duct, mains cable and attachment screws to be fitted. (See illustration for installation in a kitchen cabinet).



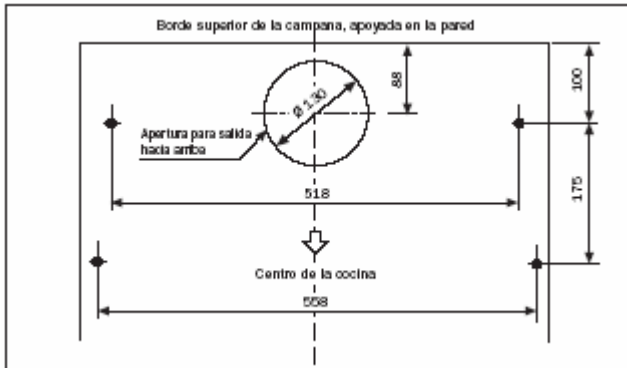


Should it be required to change the original front piece for one that matches the kitchen cabinets, the following steps should be followed:

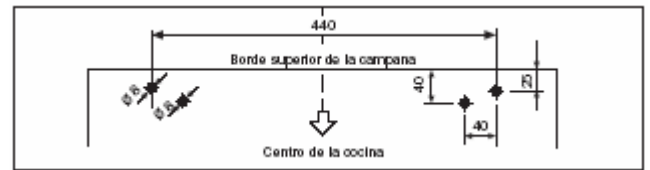
- Remove the extractable section
- Remove the screws (T) that secure the front piece
- Fit the new front piece by fixing it in place in the same way as the original was fitted

C901

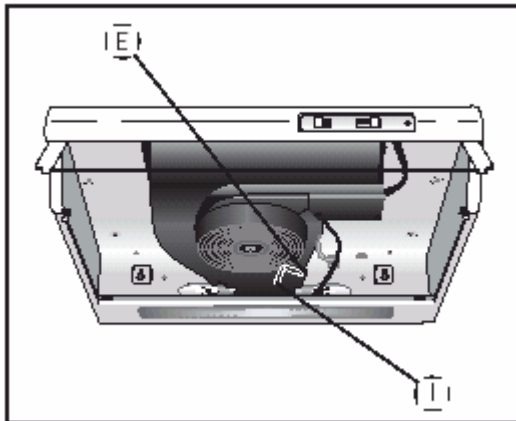
In order to install the hood the following diagrams should be followed:



Installation under a cabinet
 (Top edge of hood supported on wall)
 (Opening for outlet duct)
 (Centre of the cooker)



Wall installation
 (Top edge of the hood)
 (Centre of the cooker)

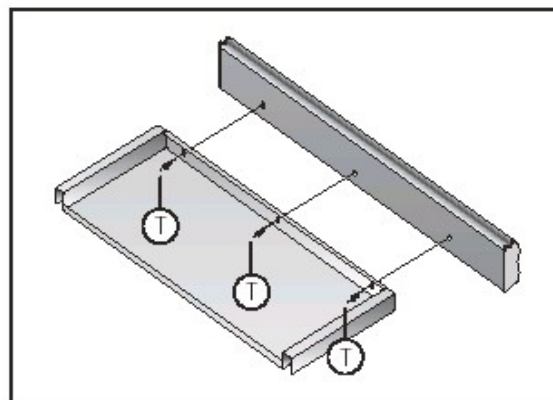
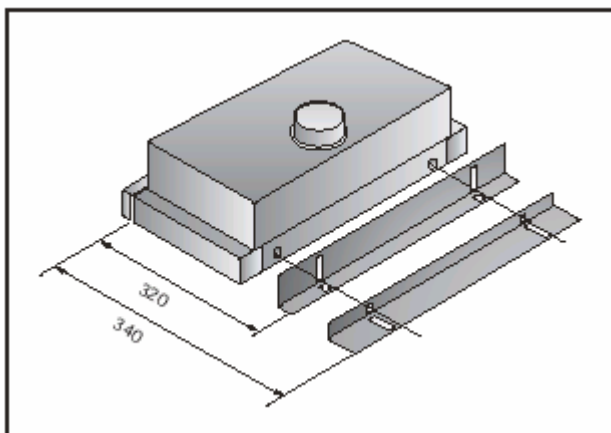


When cutting out the upper part an evacuation duct outlet must be included. In this case, the evacuation lever should be in the **“E” position**.

In the event that there is recirculation instead of evacuation, the lever should be in the **“I” position**. Ensure that the upper opening is covered.

CNL 1001/2002

Changing the front piece



Should it be necessary to change the original front piece for one that matches the kitchen cabinets, the following steps should be followed:

- Remove the extractable section
- Remove the screws (T) that secure the front piece
- Fit the new front piece by fixing it in place in the same way that the original was fitted

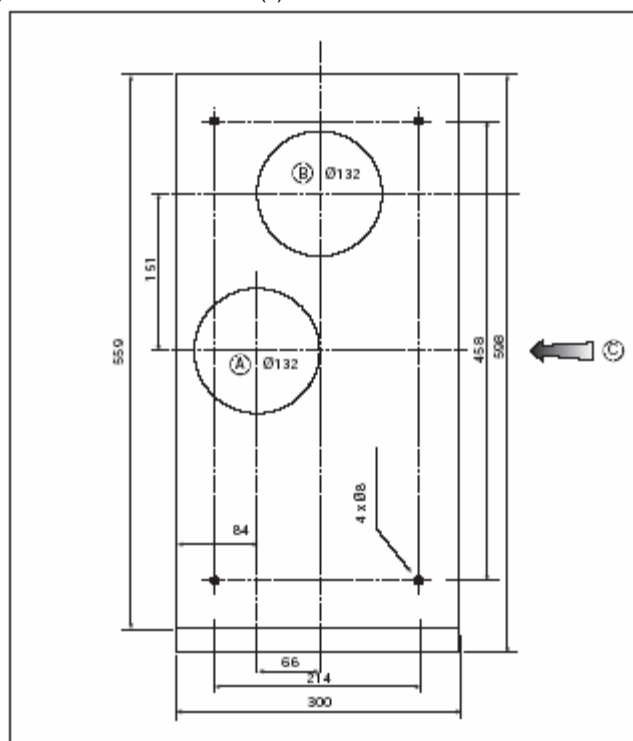
In order to secure the hood to the kitchen cabinet, the following diagram should be followed:

(A) Exit for 1 motor

(B) Exit for 2 motors

(c) Front of

hood



(A) Salida para 2 motores

(B) Salida para 1 motor

(C) Frontal Campana