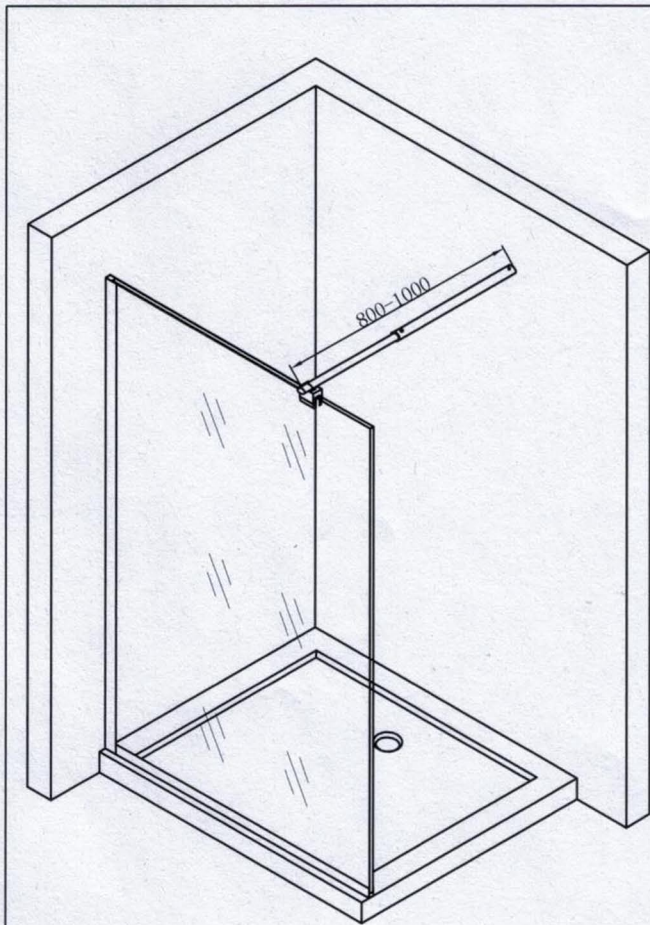
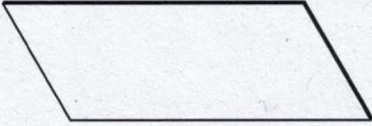
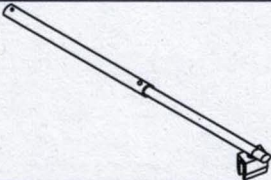


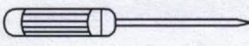



Installation Manual



Components List

	
fixed glass 1piece	
	
adjustable rod 1set	wall aluminum: 1pcs
	
plastic cover (1 pcs)	
	
screwdriver	
	
hammer	

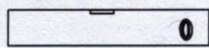
Installation steps:

1.1 Put the wall aluminum on the wall vertically, draw the wall aluminum position per above pictures by pencil , make $\phi 6$ holes by hammer drill, and then insert the $\phi 6*30$ wall plug; fix the wall aluminum with screw ST4.2*35.

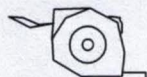
1.2 Insert the fixed glass into the aluminum wall profile, fix the vertical aluminum within the slot, then adjust the appropriate location for telescopic rod.

1.3 24 hours later, clean the frame by neutral detergent to make the frame clean and bright.

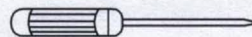
Tools needed:



spirit level



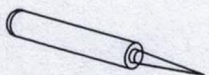
tape measure



screwdriver



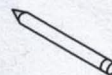
hammer



silicone sealant



drill



pencil