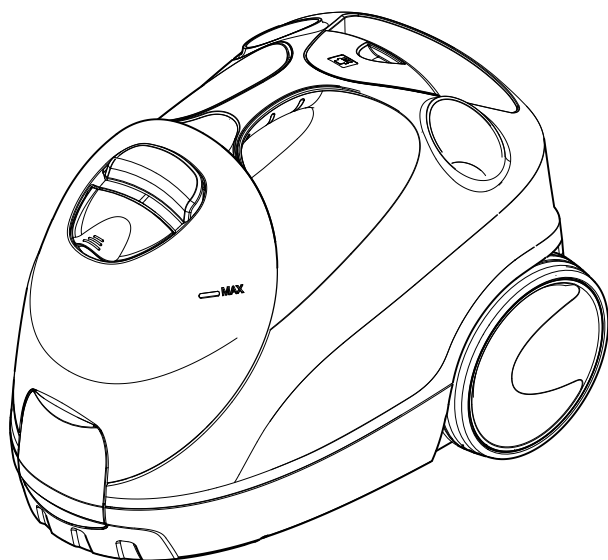
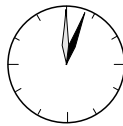
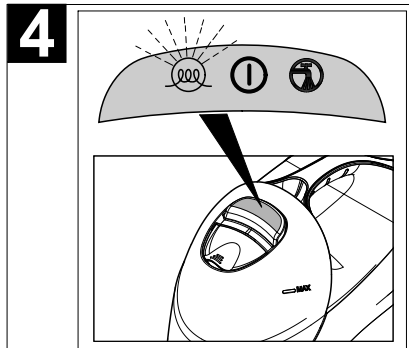
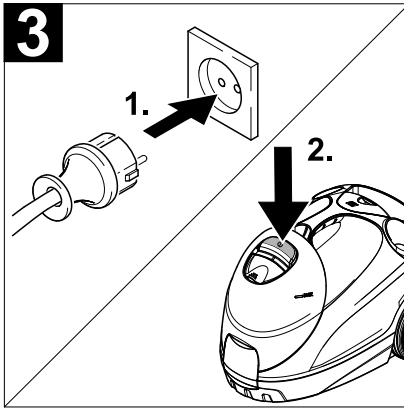
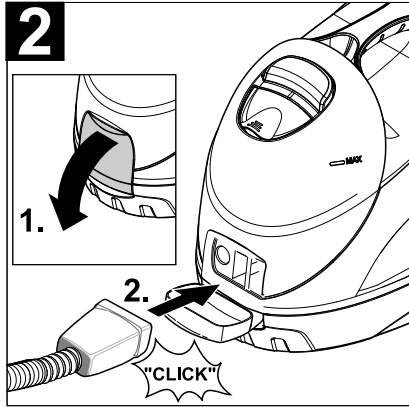
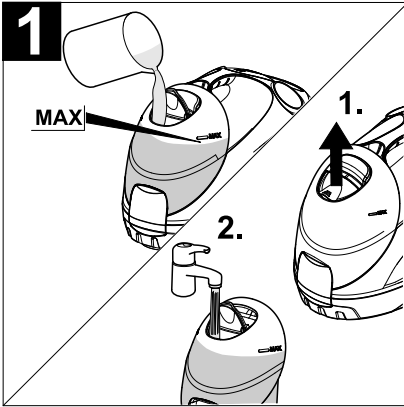


## Operating Instructions

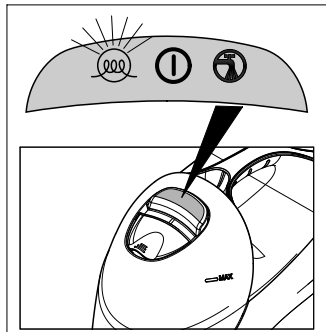
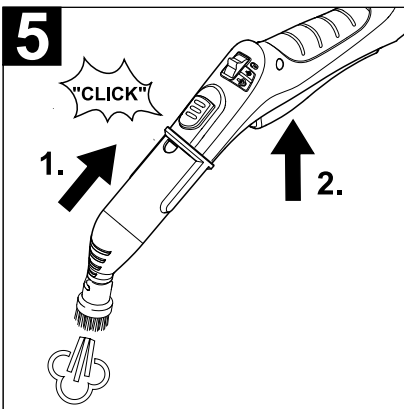
Before first use of the unit read these operating instructions and act in accordance with them

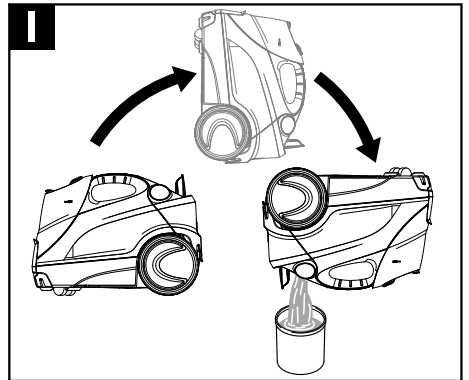
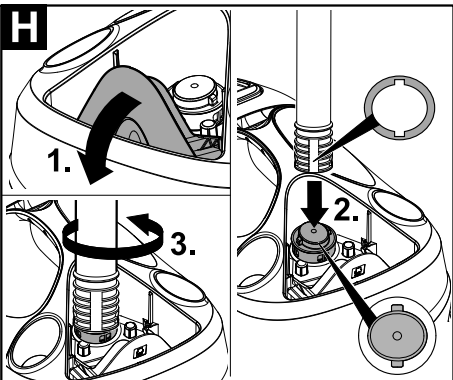
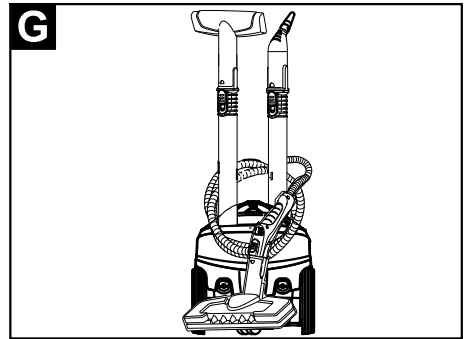
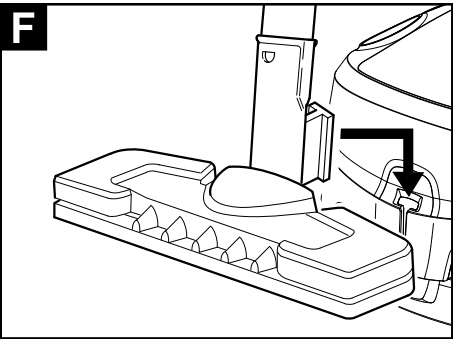
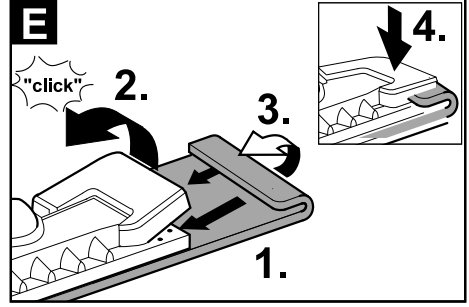
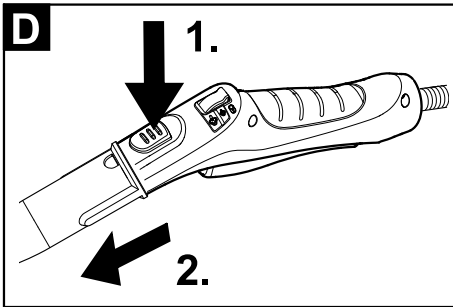
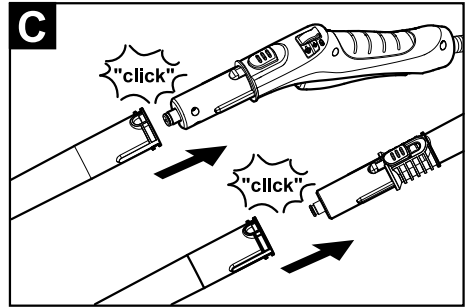
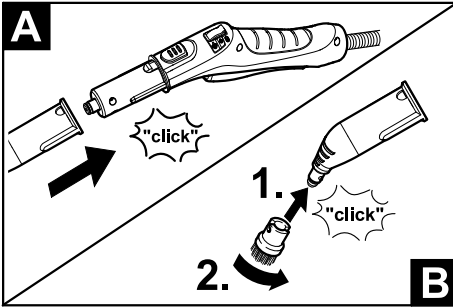


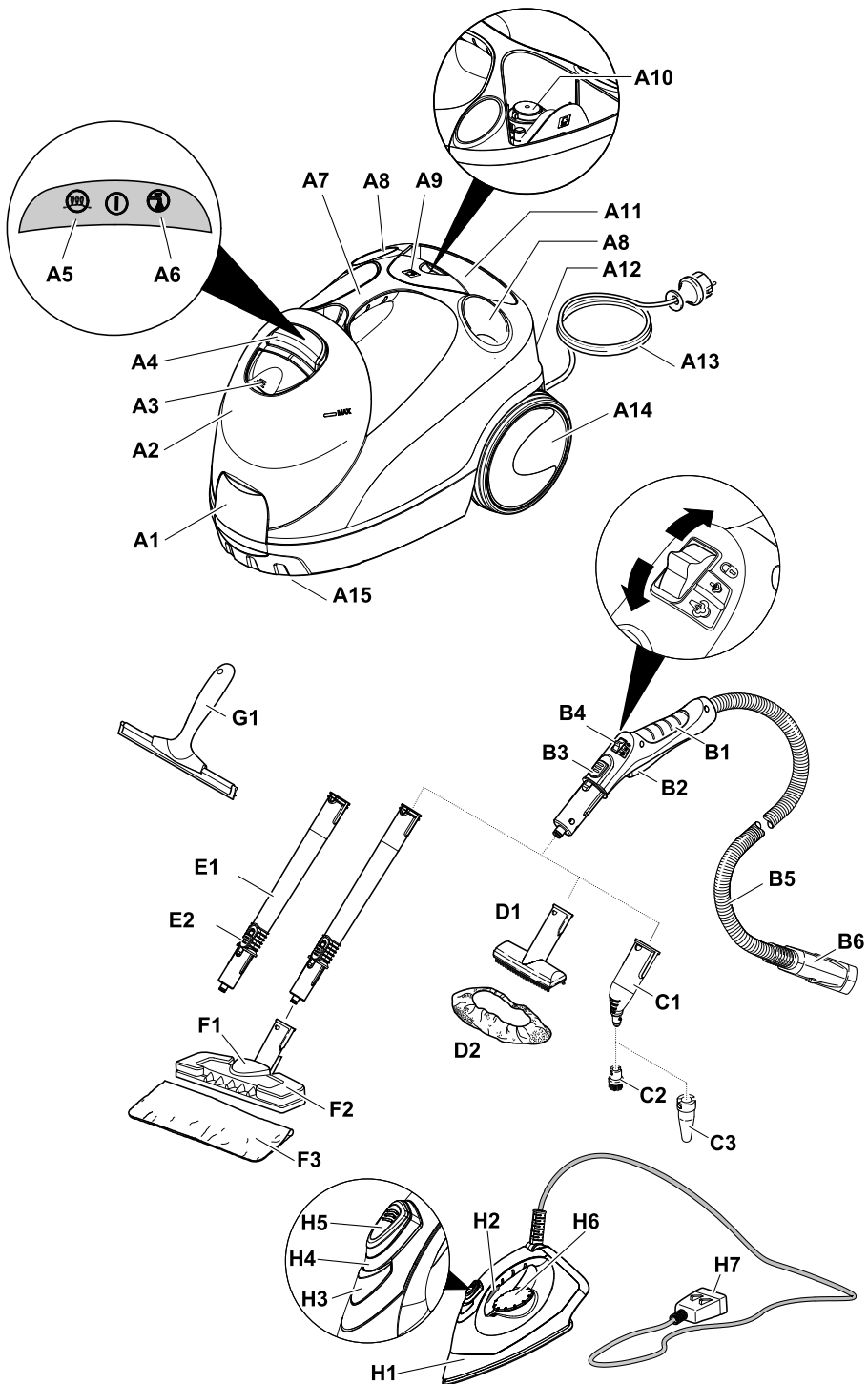
# Quick reference



**3 min**







## Contents

General information . . . . .	5
Safety instructions . . . . .	6
Description of the appliance . . . . .	8
Quick reference . . . . .	8
Operation . . . . .	8
How to use the accessories . . . . .	10
Maintenance and care . . . . .	13
Troubleshooting . . . . .	14
Technical specifications . . . . .	15
Customer service . . . . .	15
Special accessories . . . . .	16

## General information

### Dear Customer,



Please read and comply with these original instructions prior to the initial operation of your appliance and store them for later use or subsequent owners.

### Proper use

Use the steam cleaner only for private households.

The appliance is intended to be used with steam and can be used with the appropriate accessories as described in these operating instructions. You will not need any detergent. Please adhere to the safety instructions.

### Symbols in the operating instructions

#### **Danger**

*Immediate danger that can cause severe injury or even death.*

#### **Warning**

*Possible hazardous situation that could lead to severe injury or even death.*

#### **Caution**

*Possible hazardous situation that could lead to mild injury to persons or damage to property.*

## Symbols on the machine



### Steam

CAUTION - Danger of scalding



CAUTION – Please read the operating instructions!

## Environmental protection



The packaging material can be recycled. Please do not place the packaging into the ordinary refuse for disposal, but arrange for the proper recycling.



Old appliances contain valuable materials that can be recycled. Please arrange for the proper recycling of old appliances. Please dispose your old appliances using appropriate collection systems.

### Notes about the ingredients (REACH)

You will find current information about the ingredients at:

[www.kaercher.com/REACH](http://www.kaercher.com/REACH)

## Scope of delivery

The scope of delivery of your appliance is illustrated on the packaging. Check the contents of the appliance for completeness when unpacking.

In the event of missing accessories or any transport damage, please contact your dealer.

## Spare parts

Use only original KÄRCHER spare parts. You will find a list of spare parts at the end of these operating instructions.

## Warranty

The warranty terms published by the relevant sales company are applicable in each country. We will repair potential failures of your appliance within the warranty period free of charge, provided that such failure is caused by faulty material or defects in manufacturing. In the event of a warranty claim please contact your dealer or the nearest authorized Customer Service centre. Please submit the proof of purchase. (See address on the reverse)

## Safety instructions

### **⚠ Danger**

- *The appliance may not be used in areas where a risk of explosion is present.*
- *If the appliance is used in hazardous areas the corresponding safety provisions must be observed.*
- *Never use the appliance in pools containing water.*
- *The device should not be used to clean electrical appliances such as oven, exhaust, micro-wave, televisions, lamps, hair-dryer, electrical heating systems, etc.*
- *Check the faultless condition of the appliance and the accessories before using it. Otherwise, the appliance must not be used. Please check in particular the power cord, the maintenance lock, and the steam hose.*
- *If the power cord is damaged, please arrange immediately for the exchange by an authorized customer service or a skilled electrician.*
- *Please arrange for the immediate exchange of a damaged steam hose. You may only use a steam hose that is recommended by the manufacturer (see spare parts list for the order number).*
- *Never touch the mains plug and the socket with wet hands.*
- *Never use the appliance to clean objects containing hazardous substances (e.g. asbestos).*
- *Never touch the steam jet from a short distance with your hands and never direct the steam jet to persons or animals (risk of scalds).*
- *The maintenance lock must not be opened during operation.*

### **⚠ Warning**

- *The appliance may only be connected to an electrical supply which has been installed in accordance with IEC 60364.*
- *The appliance may only be connected to alternating current. The voltage must correspond with the type plate on the appliance.*

- *In wet rooms, e.g. bathrooms, connect the appliance to sockets with a series connected RCD adapter.*
- *Unsuitable extension cables can be hazardous. Only use a splashproof extension cable with a minimum section of 3x1 mm<sup>2</sup>.*
- *The connection between power cord and extension cable must not lie in water.*
- *If couplings of the power cord or extension cable are replaced the splash protection and the mechanical tightness must be ensured.*
- *The operator must use the appliance correctly. When working with the appliance, he must consider the local conditions and pay due care and attention to other persons, in particular children, who are nearby.*
- *This appliance can be used by children aged from 8 years and above and persons with reduced physical, sensory or mental capabilities or lack of experience and knowledge if they have been given supervision or instruction concerning use of the appliance in a safe way and understand the hazards involved. Children shall not play with the appliance. Cleaning and user maintenance shall not be made by children without supervision.*
- *Never leave the appliance unattended when it is in operation.*
- *Be very careful while cleaning tiled walls with sockets.*

## Caution

- *Make sure that the power cable or extension cables are not damaged by running over, pinching, dragging or similar. Protect the power cable from heat, oil, and sharp edges.*
- *Never fill solvents, solvent-containing liquids or undiluted acids (e.g. detergents, benzene, paint thinner, and acetone) into the water reservoir as these substances affect the materials used on the appliance.*
- *The appliance must not be carried during cleaning.*
- *The appliance must provide of a stable ground.*
- *Use and store the unit only in accordance with the specifications in the description and/or figure.*
- *The steam switch must not be locked during the operation.*
- *Protect the appliance from rain. Do not store outside.*

## Safety devices

### Caution

*Safety devices protect the user and must not be modified or bypassed.*

### Pressure controller

The pressure controller keeps the boiler pressure during the operation as constant as possible. The heating is turned off if the maximum operating pressure of 4 bar is reached in the boiler and is reactivated in case of a pressure drop in the boiler due to steam tapping.

### Boiler thermostat

If, in case of a malfunction, there is no water in the boiler, the temperature in the boiler rises. The boiler thermostat turns off the heating. Once the boiler is filled, normal operation can continue.

### Safety thermostat

The safety thermostat turns off the appliance if the boiler thermostat and the pressure controller fails and the appliance overheats in case of a malfunction. Please contact your local KÄRCHER customer service to arrange for the reset of the safety thermostat.

### Maintenance lock

The maintenance lock acts as a pressure control valve at the same time. It seals the boiler against the steam pressure that builds up in the boiler.

If the pressure controller is defect and the steam pressure in the boiler rises, the pressure control valve, and steam is emitted through the maintenance lock to the outside.

Please contact your local KÄRCHER customer service before you put the appliance into operation again.

## Description of the appliance

These operating instructions describe the maximum equipment. Depending on the model, there are differences in the scopes of delivery (see packaging).

### → Illustrations on fold-out page!



- A1 Appliance connector with cover
- A2 Water reservoir
- A3 Locking door for water reservoir
- A4 Switch - ON/OFF
- A5 Indicator lamp - heating (GREEN)
- A6 Indicator lamp "water shortage" (RED)
- A7 Carrying handle
- A8 Holder for accessories
- A9 Accessory compartment with locking door
- A10 Maintenance lock
- A11 Storage for mains connection cable
- A12 Storage holder for floor nozzle
- A13 Mains cable with mains plug
- A14 Running wheels (2 ea.)
- A15 Steering roller
- B1 Steam gun
- B2 Steam lever
- B3 Unlocking button
- B4 Selector switch for the steam volume (with child protection)
- B5 Steam hose
- B6 Steam plug
- C1 Detail nozzle
- C2 Round brush
- C3 Power nozzle
- D1 Hand nozzle
- D2 Terry cloth cover
- E1 Extension tubes (two tubes)
- E2 Unlocking button
- F1 Floor nozzle
- F2 Retaining clip
- F3 Terry floor cloth
- G1 Window wiper

### Option

- H1 Steam pressure iron
- H2 Upper steam button
- H3 Indicator lamp - heater (ORANGE)
- H4 Lower steam button
- H5 Steam lock
- H6 Temperature controller
- H7 Steam plug

## Quick reference

### → Illustrations on page 2

- 1 Fill the water reservoir up to the "MAX" marking.
- 2 Insert the steam plug into the appliance connector.
- 3 Plug in the main plug.  
Turn on the appliance.
- 4 *Indicator lamp "heating on" is blinking (green)*  
Wait until the indicator lamp (heater) lights up permanently.
- 5 Connect the accessories to the steam gun.  
The steam cleaner is ready to use.

## Operation

### → Illustrations on fold-out page!



### Attaching the accessories

- Open the cover of the appliance socket.
- Tightly insert the steam plug into the appliance connector. The plug must click into place audibly.  
*To disconnect:* Press the cover of the appliance connector down and disconnect the steam plug from the appliance connector.
- Illustration **A** - **B**  
Connect the required accessories (see Chapter "How to use the accessories") to the steam gun. Insert the open end of the accessory on the steam gun and push onto the steam gun until the unlocking button of the steam gun locks into place.
- Illustration **G**  
Use the extension tubes if necessary. To do so, connect one or both extension tubes to the steam gun. Insert the required accessories on the free end of the extension tube.



## Removing the accessories

### **Danger**

*Hot water may drip out of the accessory parts while you are detaching them! Never detach accessory parts while steam streams out - risk of scalding!*

→ Move the selector switch for the steam volume back (steam lever locked).

→ Illustration 

To detach the accessory parts, press the unlocking button and pull the items apart.

## Filling the water reservoir

The water reservoir may be refilled at any time.

### **Caution**

*Do not use condensation water from the drier!*

*Do not fill with detergent or other additives (for example fragrances)!*

*Do not use pure distilled water! Max. 50% distilled water and 50% tap water.*

*Do not use collected rain water!*

→ Illustration 

You can remove the water reservoir to fill it or you can fill it directly on the appliance.

### **Directly on the appliance**

→ Pour water from a container into the funnel inlet. Fill up to the "MAX" marking.

### **Take off water reservoir**

→ Pull the water reservoir straight up.

→ Fill the water reservoir up to the "MAX" marking while positioned vertically under the water tap.

→ Insert the water reservoir and press downwards until it arrests.

## Turning on the appliance

→ Place the unit securely on a firm surface.

→ Insert the mains plug into a socket.

→ Press the ON/OFF switch to turn on the appliance.

*Indicator lamp "heating on" is blinking (green)*

**Note:** *If there is no or not enough water in the steam boiler, the water pump starts and supplies water from the reservoir into the steam boiler. The filling process may take several minutes.*

→ Wait until the indicator lamp (heater) lights up permanently.

The steam cleaner is ready to use.

**Note:** *The appliance closes the valve every 60 seconds. This prevents the calcifying of the appliance. There will be a slight audible click. The steam delivery is not impaired by this.*

### **Refilling water**

In case of water shortage, the indicator lamp "water shortage" glows red in the water reservoir and a signal can be heard.

**Note:** *Every time there is not enough water in the steam boiler, the pump automatically supplies water from the water reservoir into the steam boiler. If the water reservoir is empty, the water pump is not able to fill the steam boiler and the steam tapping is blocked.*

→ Fill the water reservoir up to the "MAX" marking.

**Note:** *The water pump tries to fill the steam boiler in short intervals. If the filling is successful, the steam tapping is released immediately, and the red indicator lamp goes out.*

## Adjusting the steam quantity

Use the selector switch for the steam volume to regulate the discharged steam. The selector switch has three positions:



Maximum steam volume



Reduced steam volume



No steam - child protection

**Note:** *In this lever position, the steam lever cannot be used.*

- ➔ Set selector switch to the required steam volume.
- ➔ While operating the steam switch, always direct the steam gun at a separate piece of cloth until the steam is emitted evenly.  
**Note:** *The heating of the steam cleaner is turned on in regular intervals during the operation of the appliance in order to maintain the pressure in the boiler at a constant level. Then the indicator lamp (heater) blinks green.*

## Turning off the appliance

- ➔ Press the ON/OFF switch to turn off the appliance.
- ➔ Disconnect the mains plug from the socket.
- ➔ Press the cover of the appliance connector to the bottom and disconnect the steam plug from the appliance connector.
- ➔ Empty the residual water from the water reservoir.

## Storing the appliance

Illustration  - 

- ➔ Store the power nozzle and the round brush in the accessory compartment.
- ➔ Insert the manual nozzle and detail nozzle onto each extension pipe.
- ➔ Put the extension pipes into the large accessory compartments.
- ➔ Hook the floor nozzle into the parking position.

- ➔ Wrap the steam hose around the extension pipes and insert the steam pistol into the floor nozzle.
- ➔ Stow away the mains cable in the accessory holder for the mains cable.

## How to use the accessories

### Important application instructions

#### Cleaning floor surfaces

It is recommended to sweep or vacuum the floor prior to using the steam cleaner. This way, the floor is already cleared of dirt/loose particles prior to the wet cleaning.

#### Refreshing textiles

Prior to treatment with the steam cleaner, always check the reaction of the textiles in an inconspicuous location: Steam at first, then let dry and then check for colour or shape changes.

#### Cleaning of coated or lacquered surfaces

When cleaning painted or plastic-coated surfaces, as found on kitchen and living room furniture, doors, parquet, wax, furniture polish, plastic surfaces or paint can come loose or stains can be created. When cleaning these surfaces, briefly steam a cloth and wipe the surfaces with it.

#### Caution

*Never direct the steam jet at glued edges as the edge band may loosen. Do not use the steam cleaner on unsealed wooden or parquet floors.*

#### Cleaning of glass

In case of low outside temperatures, especially in the winter, warm up the window pane by slightly steaming the entire glass surface. This will prevent tensions on the surface which might lead to glass breakage.

Then clean the window surface with the hand nozzle and attachment. Use a squeegee to remove the water or wipe the surfaces dry.

#### Caution

*Do not direct steam onto the sealed locations of the window frame to prevent damage.*

## Steam gun

You can use the steam gun without any additional accessories, e.g.:

- to remove odours and wrinkles from hanging clothes by steaming them at a distance of 10 to 20 cm.
- to remove dust from plants. Here, keep a distance of 20-40 cm.
- for moist dusting, by briefly steaming the cloth and wiping the furniture with it.

## Detail nozzle

The closer this nozzle is to the contaminated area, the higher the cleaning effect, as the temperature and the steam are highest at the nozzle output. Especially suited for cleaning difficult access locations, joints, fittings, drains, sinks, toilets, blinds and heaters. Heavy lime scale can be drenched in vinegar prior to steam-cleaning. Let the vinegar penetrate for about 5 minutes.

### Round brush

The round brush can be installed onto the detail nozzle as an accessory. Attached brushes can therefore be used to remove heavy soiling.

### Caution

*Not suited for the cleaning of sensitive surfaces.*

#### → Illustration

Attach the round brush to the detail nozzle.

### Power nozzle

The power nozzle can be installed onto the detail nozzle as an accessory.

The power nozzle increases the emission speed of the steam. Therefore, it is well-suited for cleaning very tough dirt, blowing out corners, grooves, etc.

#### → Illustration

Attach the power nozzle to the detail nozzle according to the round brush.

## Hand nozzle

Pull the terry cloth cover over the hand nozzle. Especially well-suited for small washable areas, shower stalls and mirrors.

## Floor nozzle

Suited for all washable walls and floor coverings, e.g. stone floors, tiles and PVC floors. Work slowly on very dirty surfaces to allow the steam to act on the dirt for a longer period of time.

**Note:** *Detergent residue or care emulsions that are still present on the surfaces to be cleaned, can lead to smears when steam cleaned. However, these will disappear with repeated cleaning procedures.*

#### → Illustration

Attach the floor cloth to the floor nozzle.

- 1 Fold the floor cloth the long way and place the floor nozzle on top of it.
- 2 Open holding clamps.
- 3 Place the cloth ends into the openings.
- 4 Close the holding clamps.

### Caution

*Do not insert fingers between the clamps.*

### Parking the floor nozzle

#### → Illustration

During work breaks, hook the floor nozzle into the parking holder.

## Window wiper

### Application:

- Windows, mirrors
  - Glass surfaces on showers
  - other smooth surfaces
- Perform a fat dissolving basic cleaning using the hand nozzle and a terry cloth cover before using the window wiper.
- Apply steam to the glass surface from a distance of approximately 20 cm until the surface is moistened evenly.
- Strip the glass surface in straight lines from the top to the bottom using the rubber lip of the window wiper. Wipe the rubber lip and the bottom edge of the window dry after each strip.

## Steam iron

### **Danger**

- *The steam pressure iron must not be used if it has been dropped, shows visible signs of damage or if it leaks.*
- **The steam pressure iron is hot and so is the steam jet!** *Point out to other people the possible risk of being scalded or burnt. Never direct the steam jet at people or animals (risk of scalding). Do not touch any electrical leads or combustible objects with the hot steam pressure iron.*

### **Warning**

- *The steam pressure iron and its connecting cable must be kept out of reach of children under the age of 8 during the heating and cooling down periods.*
- *The steam pressure iron must be used and placed on a stable surface.*

**Note:** *We recommend using the Kärcher ironing table with active steam extraction (2.884-933.0). This ironing table has been designed to match your new steam cleaner. It facilitates and, thus, accelerates the ironing process substantially. In any case, you should use an ironing table which is covered with a mesh-type underlay allowing the steam to pass through.*

- *Tightly insert the steam plug of the iron into the appliance connector. The plug must click into place audibly.*
- *Make sure that there is fresh tap water in the boiler of the steam cleaner.*
- *Start-up the steam cleaner according to the description.*
- *Wait until the steam cleaner is ready to use.*

## Steam ironing

All fabrics can be steam ironed. Delicate imprints or fabrics should be ironed on the reverse or according to the manufacturer's specifications.

**Note:** *For these sensitive textiles, we recommend using the KÄRCHER non-stick ironing sole BE 6006 (Ordner no. 2.860-142.0).*

- *Adjust the temperature control of the steam iron within the notched range (•••/MAX).*
- *As soon as the indicator lamp of the heater of the iron switches off, you can start ironing.*  
**Note:** *The sole plate must be hot to prevent the steam from condensing on the sole plate and dripping onto the garment to be ironed.*
- *Use the top or bottom steam switch.*
  - **Steaming at intervals:** *Press the steam switch. Steam will be emitted while the switch is pressed.*
  - **Continuous steaming:** *Pull the latch for the steam switch toward the rear until it locks in. Steam will escape continuously. To unlock, push the lock forward.*
- *Direct the first burst of steam at the start of the ironing process or after ironing breaks at a separate piece of cloth until the steam is emitted evenly.*
- *You can hold the iron in an upright position to apply steam to curtains, dresses, etc.*

## Dry ironing

**Note:** Even if you iron without steam, there must be water in the boiler.

→ Adjust the temperature of the iron according to the garment you want to iron.

•	Synthetics
••	Wool, silk
•••	Cotton, linen

**Note:** Please observe the ironing and washing instructions in your garment.

→ As soon as the indicator lamp of the heater of the iron switches off, you can start ironing.

## Maintenance and care

### **Danger**


Always disconnect the mains plug and allow the steam cleaner to cool down before performing any maintenance work.

### Rinsing the steam boiler

Rinse the steam cleaner boiler at the latest after 10 boiler fillings.

- Disconnect the mains plug from the socket.
- Allow the steam cleaner to cool down.
- Empty the water reservoir.
- Remove the accessories from the accessory compartments.

Illustration 

- Open the locking door of the accessory compartment.
- Remove the accessories from the accessory compartment.
- Open the maintenance lock. For this, place the open end of an extension pipe onto the maintenance lock, lock it into the guide and unscrew it.
- Fill the boiler with water and shake it strongly. This dissolves lime scaling residing on the boiler bottom.
- Completely empty the steam boiler to remove existing water (see fig. ).

## Descaling the steam boiler


As limescale builds up on the boiler walls, we recommend to descale the boiler in the following intervals (RF = reservoir fillings):

Degree of hardness	° dH	mmol/l	RF
I soft	0- 7	0-1,3	100
II medium	7-14	1,3-2,5	90
III hard	14-21	2,5-3,8	75
IV very hard	>21	>3,8	50

**Note:** Please contact your Conservancy Board or the local water supply company to inquire about the hardness of your water.

- Disconnect the mains plug from the socket.
- Allow the steam cleaner to cool down.
- Empty the water reservoir.
- Remove the accessories from the accessory compartments.

Illustration 

- Open the locking door of the accessory compartment.
- Remove the accessories from the accessory compartment.
- Open the maintenance lock. For this, place the open end of an extension pipe onto the maintenance lock, lock it into the guide and unscrew it.
- Completely empty the steam boiler to remove existing water (see fig. ).

### **Warning**

Only use products approved by KÄRCHER to exclude any damages of the appliance.

- User the KÄRCHER decalcifier sticks (order no. 6.295-047) to decalcify the water. Please follow the dosing instructions on the packaging while using the decalcifying solution.

### **Caution**

Use caution when filling and emptying the steam cleaner. The descaling solution can have an aggressive effect on delicate surfaces.

- Pour the descaling solution into the boiler and allow it to react for approximately 8 hours.

### **⚠ Warning**

*Do not screw the maintenance lock onto the appliance during the decalcifying.*

*Do not use the steam cleaner as long as there is decalcifying agent in the boiler.*

- ➔ Completely empty the descaling solution after 8 hours. A small amount of the solution will remain in the boiler. Therefore, you should rinse the boiler two to three times with cold water to remove any residues of the descaler.
- ➔ Completely empty the steam boiler to remove existing water (see fig. **II**).
- ➔ Allow the storage compartment for the mains cable to dry.
- ➔ Screw the maintenance lock in using the extension pipe.
- ➔ Fill water reservoir (see page 9).
- ➔ The steam cleaner is ready to use.

### **Care of the accessories**

**Note:** *The floorcloth and the terry cloth cover have been pre-washed and can be used immediately for working with the steam cleaner.*

- ➔ You can wash dirty floorcloths and terry cloth covers in the washing machine at 60°C. Do not use a liquid softener as this would affect the ability of the cloths to pick up dirt. You may tumble dry the cloths.

## **Troubleshooting**

Often, failures have simple causes and you can do the troubleshooting yourself using the following overview. If you are in doubt or if the failure is not listed here please contact the authorized customer service.

### **⚠ Danger**

*Always disconnect the mains plug and allow the steam cleaner to cool down before performing any maintenance work.*

*Repair works may only be performed by the authorized customer service.*

### **Long heating-up time**

#### **Steam boiler is decalcified**

- ➔ Descale the steam boiler.

### **No steam**

#### **Indicator lamp - "water shortage" blinks red and signal sounds**

No water in the water reservoir.

- ➔ Fill the water reservoir up to the "MAX" marking.

#### **Indicator lamp "water shortage" glows red**

No water in the steam boiler. Overheating protection of the pump was triggered.

- ➔ Turn off the appliance.
  - ➔ Fill the water reservoir
  - ➔ Turn on the appliance.
- Water reservoir has not been inserted properly or is calcified.
- ➔ Remove the water reservoir and rinse it.
  - ➔ Insert the water reservoir and press downwards until it arrests.

#### **Steam lever cannot be pressed anymore**

Steam switch is secured with the lock / child-proof lock.

- ➔ Move the selector switch for the steam volume to the front.

#### **Steam iron "spits out" water!**

- ➔ Set the thermostat to level **...**
- ➔ Rinse or decalcify the boiler of the steam cleaner.

#### **After breaks during ironing, water drops will come out of the steam pressure iron.**

During longer breaks from ironing, the steam in the steam line can condense.

- ➔ Direct the first burst of steam at a separate piece of cloth.

### **High water output**

#### **Steam boiler is decalcified**

- ➔ Descale the steam boiler.

## Technical specifications

### Electrical connection

Voltage	220-240 V
	1~50/60 Hz

Protection class	IPX4
------------------	------

Protective class	I
------------------	---

### Performance data

Heating output	1800 W
----------------	--------

Heating output steam iron	700 W
------------------------------	-------

Operating pressure max.	0,35 MPa
----------------------------	----------

Heating time	3 Minutes
--------------	-----------

Steam volume	
--------------	--

Continuous steaming	50 g/min
---------------------	----------

Steam push max.	110 g/min
-----------------	-----------

### Filling quantity

Water reservoir	1,0 l
-----------------	-------

Boiler capacity	0,5 l
-----------------	-------

### Dimensions

Weight (without acces- sories)	4,2 kg
-----------------------------------	--------

Length	384 mm
--------	--------

Width	241 mm
-------	--------

Height	275 mm
--------	--------

***Subject to technical modifications!***

## Customer service

### Australia

KÄRCHER Pty. Ltd.  
40 Koornang Road  
Scoresby, Victoria 3179

1800 675 714 (Free Call)  
[www.karcher.com.au](http://www.karcher.com.au)

### New Zealand

Karcher Ltd.  
12 Ron Driver Place  
East Tamaki, Auckland

(09) 274-4603  
[www.karcher.co.nz](http://www.karcher.co.nz)

## Special accessories

Order number

**Microfibre cloth set, bath** 2.863-171

2 soft floor cloths made of plush velour,  
1 abrasive cover for the hand nozzle,  
1 polishing cloth for the mirrors and fixtures

**Microfibre cloth set, kitchen** 2.863-172

2 soft floor cloths made of plush velour,  
1 soft cover made of plush velour, 1 cloth  
for the streak-free cleaning of stainless  
steel surfaces

**Microfibre cloth set, soft floor** 2.863-173

2 soft floor cloths made of velvet velour

**Microfibre cloth set, soft cover** 2.863-174

2 soft covers made of plush velour

**Terry-cloth rags** 6.369-357

5 floor cloths made of cotton

**Terry-cloth covers** 6.370-990

5 covers made of cotton

**Round brush kit** 2.863-058

4 round brushes for the detail nozzle

**Round brush kit with brass  
bristles** 2.863-061

Removal of especially stubborn dirt ideal  
for insensitive surfaces.

**Round brush with scraper** 2.863-140

Round brush with two rows of heat-resist-  
ant bristles and a scraper. Not suitable for  
sensitive surfaces.

**Turbo steam brush** 2.863-159

For cleaning tasks where you would usually  
have to scrub.

**Textile care nozzle** 4.130-390

For freshening up clothes and textiles.

**Wallpaper remover** 2.863-062

To remove wallpaper and glue residue.

**Decalcifying sticks (9 pieces)** 6.295-047

**Active ironing board AB 1000** 2.884-933

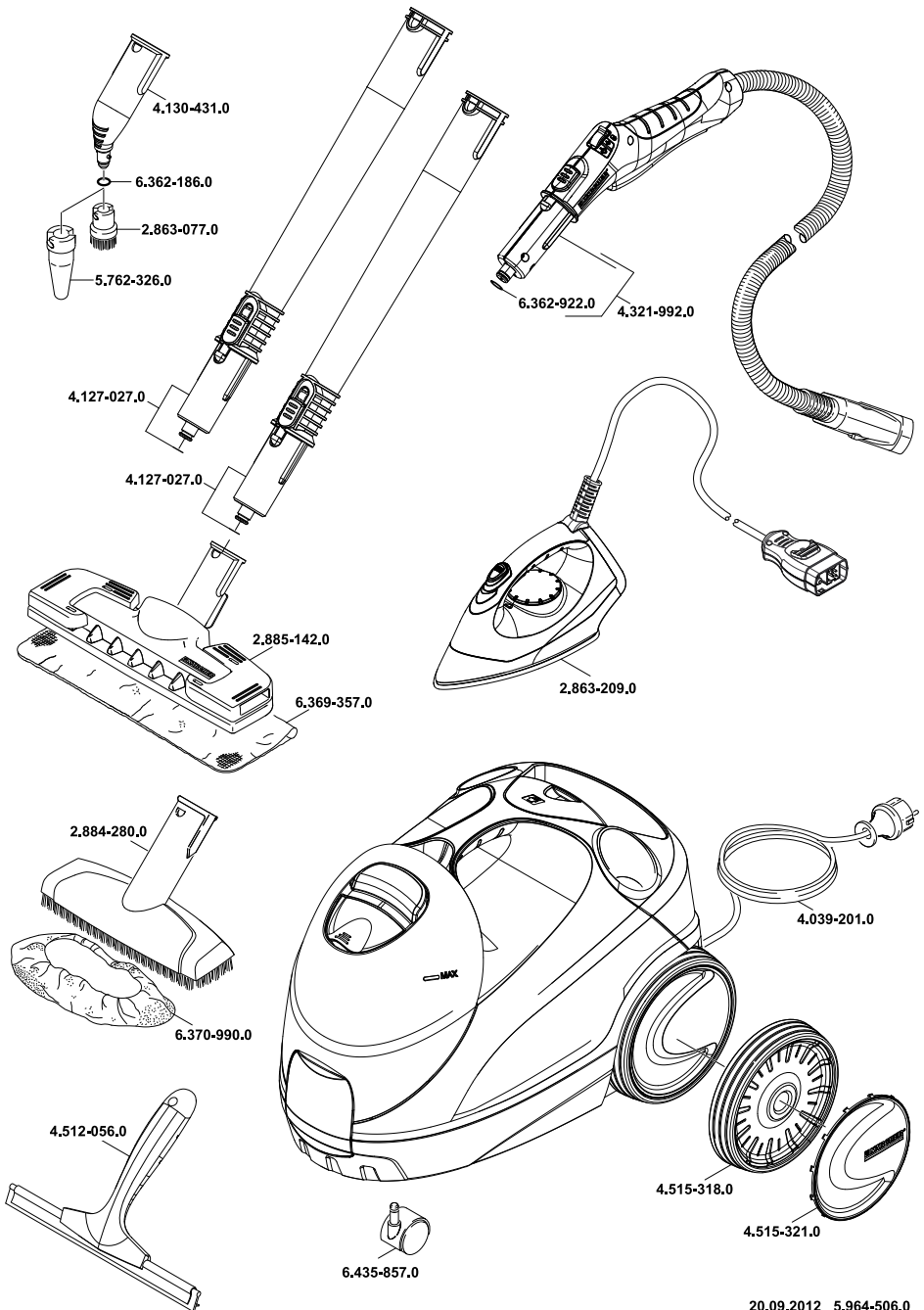
For excellent ironing results with substan-  
tial time-saving (only for 230 V).

**Steam pressure iron** 2.863-209

**Non-stick ironing sole** 2.860-142

Suitable for ironing sensitive materials.







---

[www.karcher.com.au](http://www.karcher.com.au)  
[www.karcher.co.nz](http://www.karcher.co.nz)