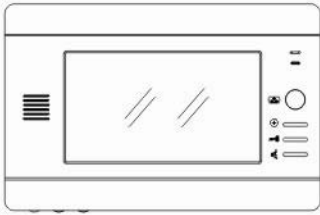


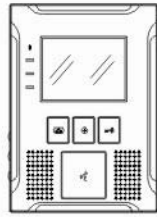
Haakili

Video Door Phone

User guide



M740



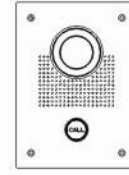
M440



C541

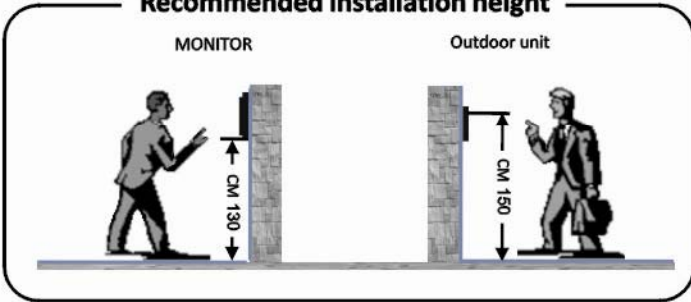


C542

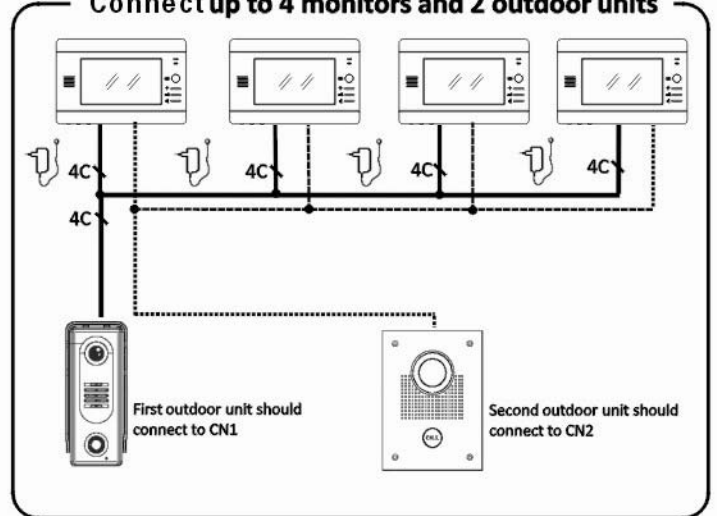


C543

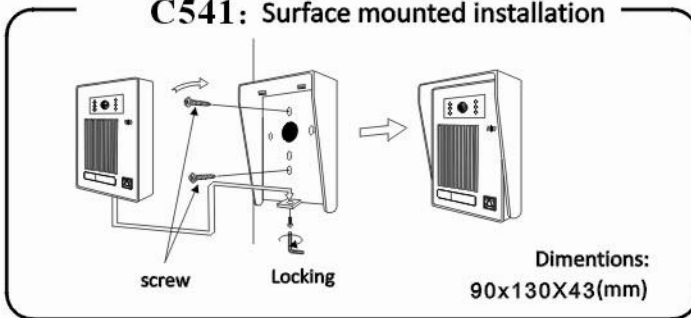
Recommended installation height



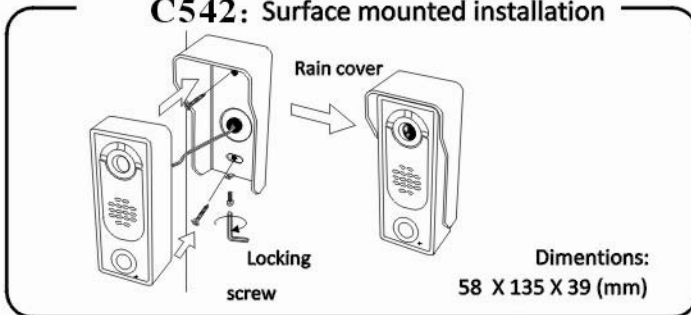
Connect up to 4 monitors and 2 outdoor units



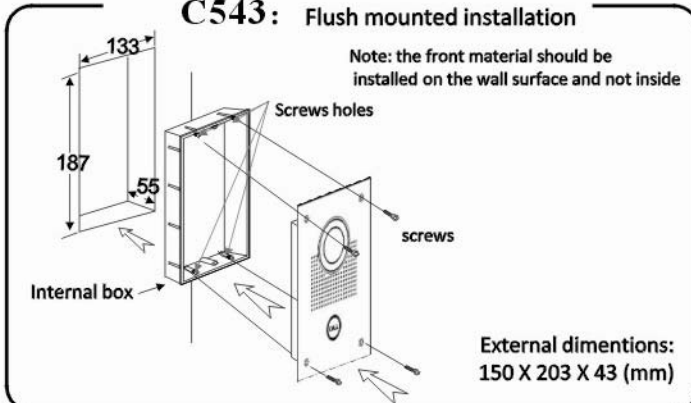
C541: Surface mounted installation



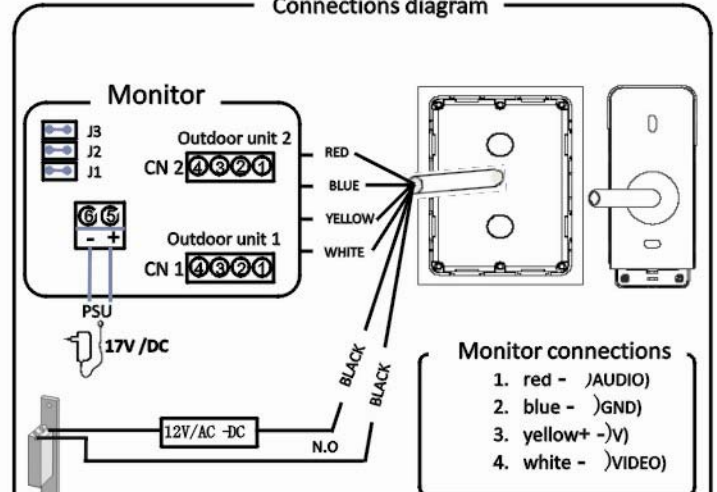
C542: Surface mounted installation



C543: Flush mounted installation



Connections diagram



NOTE

Use different power suppliers
17v/dc For the monitor.
Do not install with working power
Up to 20 meter from the PSU to monitor
Dotted line on PSU wire

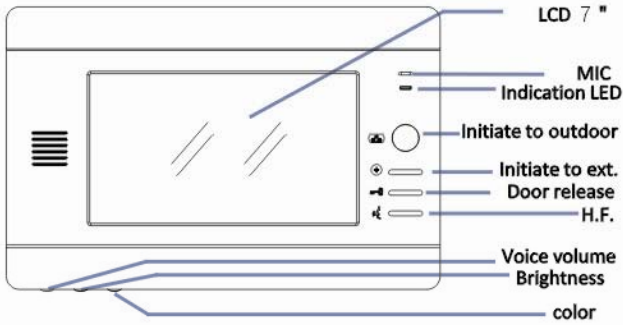


M740

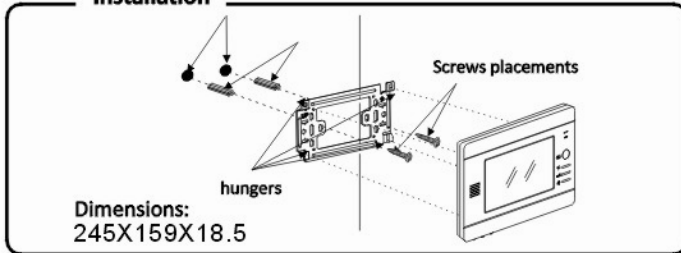
7" LCD Monitor with H. F. Voice communication Features

- Slim surface mounted 7" Monitor
- 4 wires installation (no coax required)
- Volume adjustment for ring and voice

Description



Installation



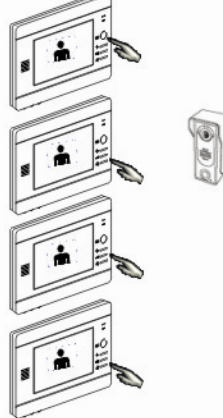
Initiate communication with the outdoor unit

Press to initiate the first outdoor unit, press again to contact the second

Press to open voice channel

Press to open the door

Press to close the channel

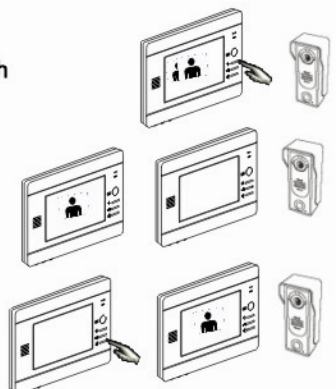


Call forwarding after answer

Press during conversation with the outdoor unit

Voice channel will be opened between the monitors and the outdoor unit

Press to close the voice channel

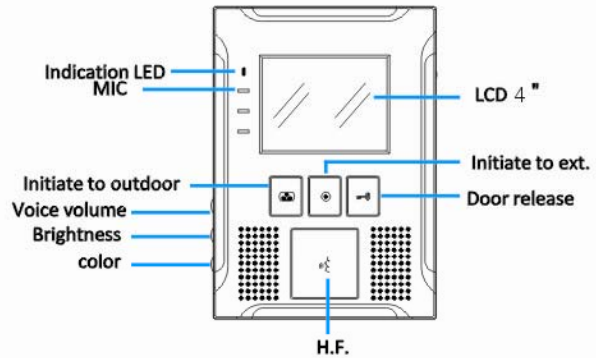


M440

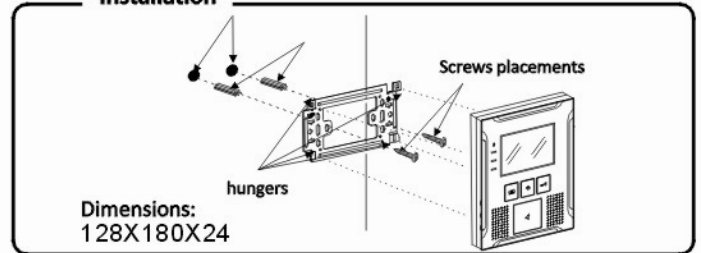
4" LCD Monitor with H. F. Voice communication Features

- Slim surface mounted 4" Monitor
- 4 wires installation (no coax required)
- Volume adjustment for ring and voice

Description



Installation



System actions

Initiated call from the outdoor unit

The monitor ring and display the camera

Press the HF button to open communication with the visitor

Press the door release button to open the door

Repress the HF button to close the communication

