

escea.

GAS FIRE USER GUIDE



ST900

NZ / AU

www.escea.com

630289_0_Manual_User_ST900_AUS_NZ_R-emotion

Any installation or service work carried out on this appliance must only be done by a recognised and qualified gas fitter.

The data plate for this appliance, containing technical information and specifications, can be found to the right of the control tray, near the base of the fire. To access this, the fascia must be removed.

Escea recommends the ST900 is inspected and serviced by a qualified Gas Fitter once every twelve (12) months.

DO NOT PLACE ARTICLES OR FURNISHINGS ON OR AGAINST THIS APPLIANCE.

DO NOT USE OR STORE FLAMMABLE MATERIALS NEAR THIS APPLIANCE.

DO NOT SPRAY AEROSOLS IN THE VICINITY OF THIS APPLIANCE WHILE IT IS IN OPERATION.

PRIMARILY A DECORATIVE APPLIANCE - NOT CERTIFIED AS A SPACE HEATER.

DO NOT MODIFY THIS APPLIANCE

DO NOT OPERATE THE FIRE IF THE GLASS HAS BEEN BROKEN, DAMAGED OR IT IS NOT PROPERLY POSITIONED/HOOKED ONTO THE FIRE

DO NOT OPERATE THE FIRE WITH THE FASCIA PANELS REMOVED.

THIS APPLIANCE IS NOT INTENDED FOR USE BY YOUNG CHILDREN OR INFIRM PERSONS UNLESS THEY HAVE BEEN ADEQUATELY SUPERVISED BY A RESPONSIBLE PERSON TO ENSURE THAT THEY CAN USE THE APPLIANCE SAFELY.

THIS APPLIANCE MUST BE INSTALLED IN ACCORDANCE WITH THE MANUFACTURERS WRITTEN INSTRUCTIONS.

escea. NZ LTD
17 Carnforth St, PO Box 5277
Dunedin, New Zealand

E-mail: info@escea.com
Web: www.escea.com
Phone: +64 3 478 8220 Fax: +64 3 478 8221

IF APPLIANCE DOES NOT LIGHT AFTER 6 ATTEMPTS - PLEASE WAIT FOR 10 MINUTES BEFORE ATTEMPTING TO RELIGHT

THE GLASS SURFACE ON THE FRONT OF THE FIREPLACE IS CONSIDERED A WORKING SURFACE, AND AS SUCH IS HOT AND CARE MUST BE TAKEN NOT TO TOUCH THIS SURFACE. IT IS RECOMMENDED A SECONDARY GUARD IS FITTED IN PLACES WHERE THERE ARE YOUNG CHILDREN OR AGED OR INFIRM PERSONS.

CURTAINS SHOULD NOT BE POSITIONED ABOVE THE FIREPLACE AND ANY PROTRUDING LEDGES MUST NOT COME WITHIN THE MINIMUM DISTANCES SPECIFIED IN SECTION 5.1 OF THE INSTALLATION MANUAL SUPPLIED WITH THIS APPLIANCE.

IF A GUARD IS FITTED TO THIS APPLIANCE TO REDUCE THE RISK OF FIRE OR INJURY FROM BURNS AND NO PART OF IT SHOULD BE PERMANENTLY REMOVED.

FOR PROTECTION OF YOUNG CHILDREN OR THE INFIRM, A SECONDARY GUARD IS REQUIRED.

Contents

> **Basic Operation**

Turning the ST900 on	1
Setting the Control Mode	2
Locking the Remote Control	5
Operation from the touch pad	5

> **Clearances** 6

> **Cleaning and Maintenance** 8

> **Normal operating Sounds and Smells** 11

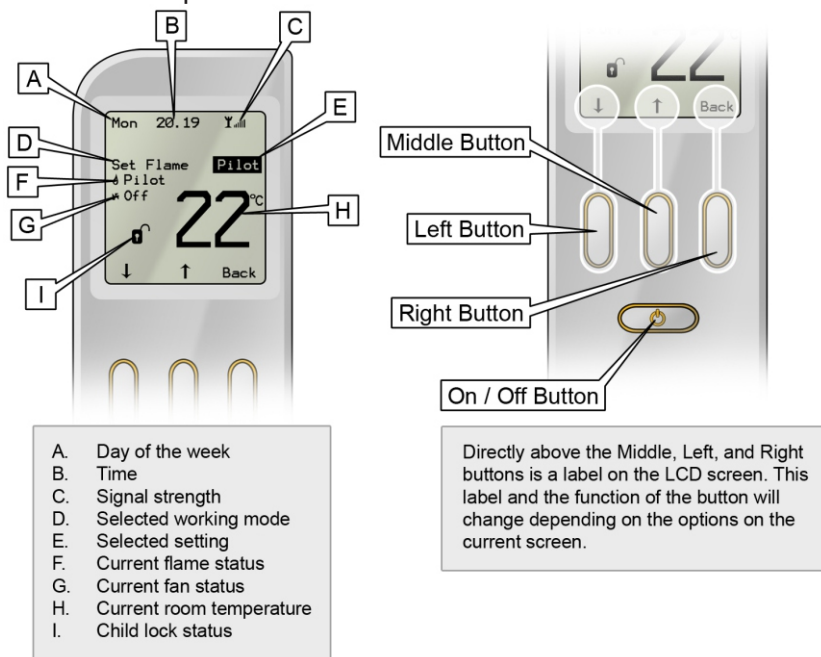
The ST900 electronic control system is designed to work within the temperature range of 0°C to 70°C, with a humidity level that is non condensing. This is to ensure safe operation of the electronic and gas control system.

If the fireplace is subjected to an environment with temperatures very close to or exceeding these temperature limits (irrespective of if the fireplace is on or off at the time) the fireplace may not start up until the temperature returns back to within the operating range.

To remedy this the environmental temperature should be addressed and the fireplace control system given time to adjust accordingly. The fireplace should then function correctly.

1 Basic Operation

The ST900 remote control allows you to turn ON and OFF the fire, control the flame height in the Manual mode, or control the room temperature in the Thermostat mode. The remote has a maximum range of 10 metres, and because the remote works by radio frequency, it does not need to be aimed at the ST900 for it to operate.



Switching on the ST900

When first powered the remote starts at the OFF screen (it is possible that the remote is locked in the OFF screen: to unlock it just press the button below Unlock, and then OK).

Switching on: Once the remote is unlocked, press On (left button) and OK (middle button). A beep from the control unit will be heard, and the ignition process starts (the pilot will start sparking and gas will start flowing to the pilot, which should then be lit within a few seconds, after which the main burner will ignite in HIGH flame mode).

Wait until the current flame status displays **HIGH** before performing any other action.

If the pilot flame fails to ignite, you must turn OFF the ST900 from the remote and start the process of turning it ON again. **BLOCKED ERROR** will occur after 5 ignitions within a 15 min period. This requires the control unit's power supply to be turned off for 15 seconds or you can wait out 15 minutes.

Switching off the ST900

To turn off the fire, push the OFF button, to shut down the gas flow to the fire and switch it off. The OFF display will now appear in the display.

Setting the control mode for the fireplace:

There are three different modes for controlling the appliance:

- > **Manual**
- > **Automatic**
- > **Program**

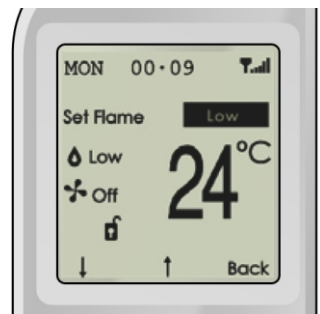
Automatic mode allows you to set a temperature, while in manual mode the flame level may be set to HIGH, MEDIUM, LOW & PILOT. Program mode offers automatic temperature control for specific times of the day.

In the initial screen when the remote is turned on, three options are available: AUTO, MANUAL and MENU.

Auto and Manual are two of the three different modes for controlling the appliance with the remote.

Manual mode:

If Manual is pressed, HIGH appears as the selected setting. In the bottom row, ↓ and ↑ appear, indicating that the flame level can be changed by just pressing the left or middle button. There are four possible flame positions: Pilot flame, Low flame, Medium flame and High flame. Pressing Back (right button), returns to the initial screen. Note that a Safety temperature can be previously set in the configuration menu. This specifies the maximum the maximum permitted room temperature. This temperature can never be set higher than 40°C (104°F).



Automatic mode:

If Auto is pressed in the initial screen, 25°C (77 ° F) appears as the desired temperature in the selected setting. In the bottom row, ↓ and ↑ appear, indicating that we can change the desired temperature value by just pressing the left or middle button. In auto mode the appliance heats until this temperature is reached. Limits are 0-37°C (32-99°F).



Pressing Back (right button), returns to the initial screen.

In this mode the main burner can be switched on and off.

Program mode:

By default the program mode is not enabled. To enable program mode, enter configuration mode by pressing and holding the OFF button for 40 seconds, selecting “Programming” and selecting “yes” (For more information on configuration mode see the installation manual, section 19.9).

There are two types of program mode: a Daily mode and a Weekly mode. In the daily mode, every day uses the same program. In the weekly mode, every day has its own program, so it is possible have a different program for each day of the week.

In this mode the main burner can be switched on and off (pilot still burning).

Day programming menu: (Menu → Adjust Menu → Change Program)

There are 8 menus like this. One for Daily, and the others for each separate day (Monday, Tuesday, Wednesday, Thursday, Friday, Saturday and Sunday).

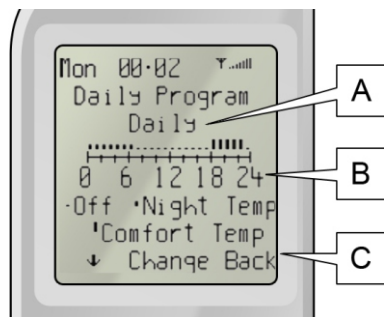
(Continued next page)

Program mode (continued)

The daily program screen consists of:

A: Selected (including “Daily”). The selected day can be changed by pressing Change (middle button).

B: Day schedule graphic. This bar displays the program for the whole day by showing the temperature setting for each hour of the day. To access the day schedule graphic, press ↓ (left button). To change the desired temperature, go to the hour you want to change by pressing → (left button) and then press change (middle button).



There are 3 temperature settings (bars):

- Off** [Small bar] No temperature control (the appliance is in pilot mode).

- Night Temp** [Medium bar] The night temperature is set as the desired temperature and the appliance will heat until this temperature is reached. To adjust the night temperature press “Menu → Adjust menu → Night” and set the desired temperature.

- Comfort Temp** [Large bar] The comfort temperature is set as the desired temperature and the appliance will heat until this temperature is reached. (High bar). To adjust the comfort temperature press Menu → Adjust menu → Comfort and set the desired temperature.

Finally, to launch the program mode, in the main menu, set Program to On, and select the desired Program Type (Daily or weekly). When activated, the screen will show which of the above temperature settings is currently active, Off, Night, or Comfort. The pilot must remain lit in order for the program to remain running.

Changing the display from Celsius to Fahrenheit:

Go into Menu → Adjust menu → Unit. Press middle button and then left button for changing units.

To Lock / Unlock the remote control buttons:

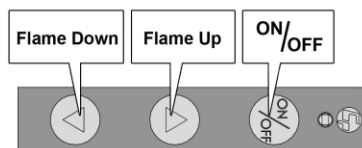
Go into Menu → Lock. Press middle button and then left button for locking the remote.

To unlock press left button and then middle button.

Operation from the Touch Pad

The touch pad is intended to be used for service/diagnostic purposes and to operate the fire in the event that the remote handset becomes lost or inoperative.

If you remove the fascia you will find an electronic touch pad in the lower centre of the fire. The touch pad features the basic operations of the fire: On, off, and manual adjustment of the flame height.



To turn on the ST900, push the ON/OFF button on the touch pad. The system will emit a beep and begin the ignition process, which can take about 10 seconds. Once the start up process is complete, the fire will be running in HIGH mode. The ST900 is now in the 'Manual' mode and ready to be used.

While the fire is running, press the 'Flame Up' or 'Flame Down' button to alter the flame height. The LED will flash once and the unit will beep to confirm the flame height has been adjusted. The ST900 has 4 flame positions: Pilot only, Low, Medium, and High flame height.

If the 'Flame Up' button is pressed while the unit is in the 'high' flame position, the unit will emit 2 beeps. Similarly, if 'Flame Down' is pressed while the unit is in the 'pilot' flame position, the unit will emit 2 beeps.

To shut down the gas flow to the ST900, press the On/Off button and the LED will blink and the unit will emit a beep.

DO NOT DROP THE REMOTE.

Dropping the remote may result in a cracked LCD screen or malfunctioning components. The warranty does not cover damage to the remote sustained by dropping, however replacement remote controls are available.

Cabinet Clearances

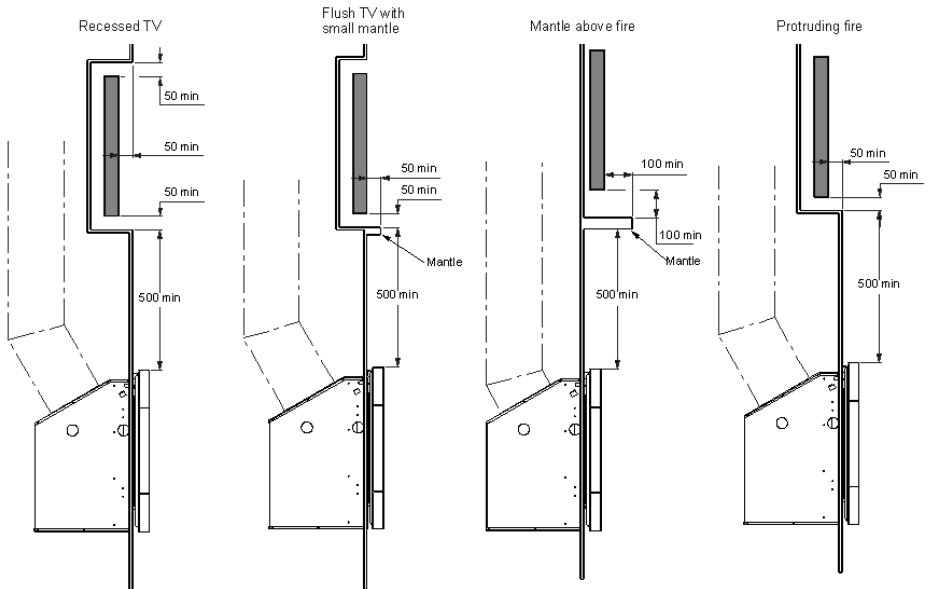
There must be a minimum of 100mm from the sides of the fascia to any protruding side walls or cabinetry.

Television Positioning Considerations

It is becoming common practice for consumers to mount flat screen TV's above their gas fireplace.

Most TV manufacturers have specified in their instructions that the TV should not be installed on, near or above a heat source. For this reason TV location decisions rest solely with the householder and the manufacturer / distributor will not be held liable for any adverse affects on a TV located near to the ST900 fireplace that may be caused by heat.

The drawings below are suggestions that may be used as a GUIDE for those consumers who do decide to locate their TV above an ST900 gas fire. These drawings show ways to reduce the amount of warm air rising off the fireplace and onto the TV.



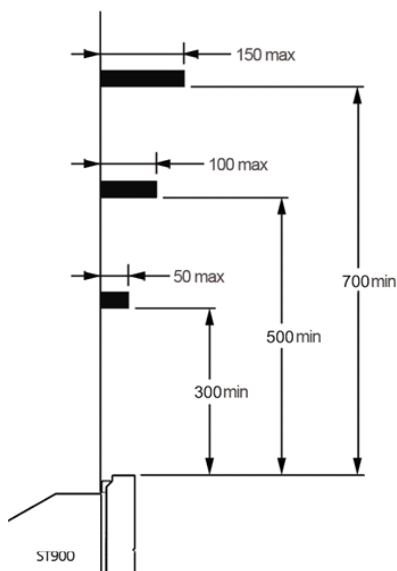
The material that the wall and mantle are made from will also affect the operating temperature of the TV so it is the customers responsibility to satisfy themselves that their TV mounting and mantle design will not exceed the listed maximum operating temperature of their electronic goods.

Replacing Batteries

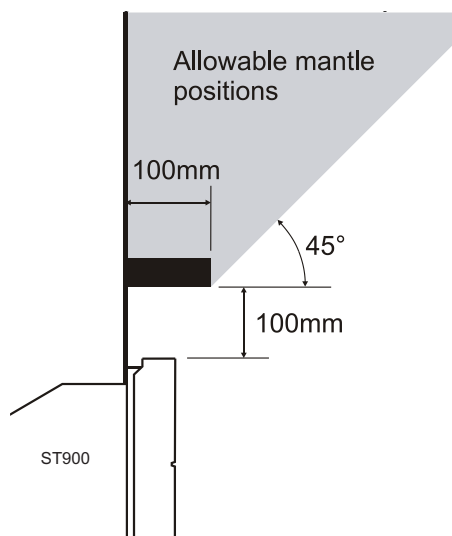
When batteries are replaced in either the battery box (inside the fireplace) or in the handset, the unit will require 1 minute afterwards to regain connection.

ST900 Mantle Clearances

If any part of the installation (mantle, wall or cavity) is constructed from **COMBUSTIBLE** materials, the diagram below shows the maximum allowable size for mantles or protruding surfaces mounted above an ST900



If the entire installation (mantle, wall and cavity) is constructed from **NON-COMBUSTIBLE** materials, then the clearances to mantles or protruding surfaces mounted above an ST900 may be as shown by the shaded area in the diagram below



Annual Servicing

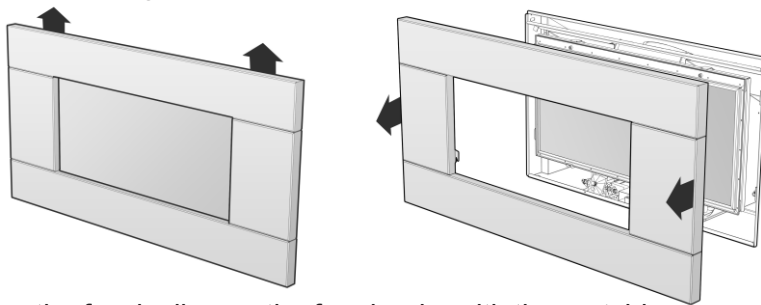
Your ST900 Decorative Gas Fireplace requires that annual service checks be carried out by a Registered Installer to ensure that it will continue to operate in a safe manner.

Please ensure that you schedule annual service checks for your ST900 with your local Registered Installer or service agent.

Removing the ST900 Fascia

Ensure the fascia is allowed to cool before handling.

The ST900 fascia attaches to the fire by four hooks. To remove the fascia, simply lift it upwards 15-20mm, and pull towards you. Care should always be taken when handling the fascia.



To replace the fascia, line up the four hooks with the matching receptacles on the fire and push the fascia into place and let it drop down, the fascia should now be securely in position

If you have a Velo fascia, the instructions above also apply (lift upwards then outwards), however before removing the fascia the lower trim must be removed.

Removing the ST900 Glass Assembly

Ensure the ST900 is allowed to cool before continuing with the following procedure.

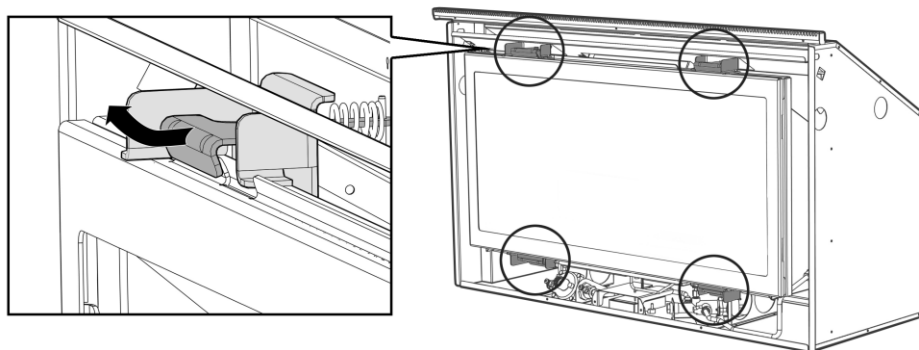
Pull the four hooks shown below towards you and then away from the glass to release the glass frame underneath the hook.

Lift the glass assembly towards you to clear the locating supports and place it flat upon some newspaper or a sheet of cardboard to protect your floor coverings.

9 Cleaning and Maintenance

Follow the instructions on page 8 in reverse to refit the glass assembly to the fireplace.

Do not operate the appliance if the glass has been broken, damaged, or the glass is not properly positioned/hooked onto the appliance.



Cleaning your ST900

The unit must be cold before starting any form of maintenance or cleaning.

The glass can be cleaned using standard window cleaner. If you wish to clean the inside of the glass, you can remove the glass assembly by following the instructions on page 8.

Take care while cleaning the glass so as not to interfere with or damage the fibreglass gasket material on the glass assembly.

Fuel Bed Media

Some discolouration of the coals may occur over time, particularly on white coals. The gravel or driftwood layout and the quantity of material contained therein must not be altered.

Warning: Use only Escea approved fuelbed media.

Cleaning the fascia

The Fascia is the visible surround of your Escea Gas Fireplace and must be treated carefully to prevent unsightly marks from tarnishing the visual quality of the product. Some marking over time is inevitable however, so the following directions will assist you in getting the maximum enjoyment from your Escea Gas Fireplace.

Never ever rub the fascia. For example, the high temperature silver powder coating that is used on some Escea fascia parts contains certain amounts of aluminium that when rubbed too hard will oxidise leaving a big black smudge that cannot be removed. If the fire is operated with finger or other marks present on the fascia panels, there is a risk of them being burnt into the fascia as the fire gets hot from normal running.

The outside of an Escea Fascia must only be cleaned with a soft microfibre cloth. If heavier cleaning is required for the likes of grease or stubborn fingerprint removal we recommend the use of Steel Kleen brand Ezi Wipes. These wipes have been tested by Escea technicians and produce very satisfying results, when used correctly. Instructions for their use follow.

For Stainless Steel Fascias (Outdoor and Direct Vent products):

1. Ensure that the Gas Fireplace is off, and that the fascia is cold.
2. Using the gloves provided with your fascia, remove the towelette from the sachet and wipe the fascia with even, straight strokes.
3. Make sure your strokes follow the direction of the grain or brush finish. Wiping across the grain can leave small scratches.
4. The wipe will leave a very fine film over the fascia, ensure this film is distributed evenly.
5. If the film is applied too heavily and is quite visible, you can remove the excess by gently wiping dry with a microfibre cloth. Ensure your strokes still follow the direction of the grain or brush finish.
6. Ensure that no film is applied to the glass of your Escea Gas Fireplace. If applied accidentally, wipe off with an absorbent microfibre cloth.

For Powder Coated Fascias (Inbuilt, Outdoor and Direct Vent products):

1. Ensure that the Gas Fireplace is off, and that the fascia is cold to the touch.
2. Using the gloves provided with your fascia, remove the towelette from the sachet and wipe the fascia with even, straight strokes.
3. Because the wipe leaves a protective film over the fascia, the entire fascia will need to be wiped to avoid seeing a difference in surface texture. Ensure this film is distributed evenly.
4. If the film is applied too heavily and is quite visible, you can remove the excess by gently wiping dry with a microfibre cloth.
5. Ensure that no film is applied to the glass of your Escea Gas Fireplace. If applied accidentally, wipe off with an absorbent microfibre cloth.

Note: Each time the fire is lit from cold the glass will fog up with condensation. This is normal and the condensation will disappear within a few minutes once the glass heats up.

Sounds

It is possible that you will hear some sounds from your gas appliance. This is perfectly normal due to the fact that there various types of materials used within your appliance. Listed below are some examples. These are all normal operating sounds and should not be considered as defects in your appliance.

Gas Control Valve:

As the gas control valves turn ON and OFF, a dull clicking sound may be audible, this is normal operation of a valve. When the fire is switched off after being run for a while, there may be popping and fluttering noises as the residual gas in the burner burns away. These are normal and should be no cause for concern.

Unit Body / Firebox:

Different types and thickness' of steel will expand and contract at different rates resulting in some "dull drumming" and "ticking" sounds being heard throughout the cycling process.

Smells

The first few times the unit is operated, the unit may release an odour and the flames may appear orange caused by the curing of the paint, the burning off of the starch in the gas coals and the oils in the metal. This is a temporary curing process which will disappear with use.