



J.E. ADAMS INDUSTRIES OWNERS MANUAL

MODEL# 29000-29003
29000UNI-29003UNI
29000-2M thru 29003-2M

- PAGE 2 PRODUCT INFORMATION
- PAGE 3 SPECIFICATIONS
- PAGE 4 IMPORTANT SAFETY INFORMATION
- PAGES 4-5 INSTALLATION
- PAGES 5-8 PROGRAMMING
- PAGE 8 OPERATING
- PAGE 8 MAINTENANCE
- PAGES 9 TROUBLESHOOTING
- PAGES 10-14 PARTS LIST
- PAGE 15-18 WIRE DIAGRAMS

PRODUCT INFORMATION

Please take a moment to fill out the information below in order to aid us with any future sales or service inquiries. Model number and serial number information can be found on the serial tag located inside the control box and/or on the lower exterior of the can. Key number can be found on the tag that comes attached to the keys. There may be more than one key number depending on unit.

Please keep this information with your records.

MODEL#: _____

SERIAL#: _____

KEY NUMBER(S): _____

DATE PURCHASED: _____

DISTRIBUTOR: _____

**J.E. Adams Industries
1025 63rd Ave. S.W.
Cedar Rapids, IA 52404
1-800-553-8861
www.jeadams.com**

SPECIFICATIONS:

Unit specifications: *(29000-29003, 29000UNI-29003UNI)*

Voltage: 120VAC, 60Hz
Amperage: (1)30 amp service is required for this unit
Weight: 260 lbs with pallet attached

Vac specifications: *(29000-29003, 29000UNI-29003UNI)*

Motors: (3) 120VAC Vacuum motor
Fuses: (3) 10 amp inline fuses

Shampoo specifications: *(29000-29003, 29000UNI-29003UNI)*

Compressor: (1) Thomas 120VAC, 1/12th hp compressor
Peristaltic pump: (2) Thomas peristaltic pumps, 12VDC

Unit specifications: *(29000-2M thru 29003-2M)*

Voltage: 120v, 60Hz
Amperage: (1)20 amp service is required for this unit
Weight: 260 lbs with pallet attached

Vac specifications: *(29000-2M thru 29003-2M)*

Motors: (2) 120VAC Vacuum motor
Fuses: (2) 10 amp inline fuses

Shampoo specifications: *(29000-2M thru 29003-2M)*

Compressor: (1) Thomas 120v, 1/12th hp compressor
Peristaltic pump: (2) Thomas peristaltic pumps, 12VDC

NOTE: "UNIT INTENDED FOR COMMECIAL USE ONLY"

Installation of 29000UNI, 29001UNI, 29002UNI and 29003UNI units are to be installed only by a qualified Unitec represented distributor or installer. Failure to do so may result in improper installation and may not be configured properly.

IMPORTANT SAFETY INSTRUCTIONS

When using an electrical appliance, basic precautions should always be followed, including the following:

READ ALL INSTRUCTIONS BEFORE USING (THIS APPLIANCE)

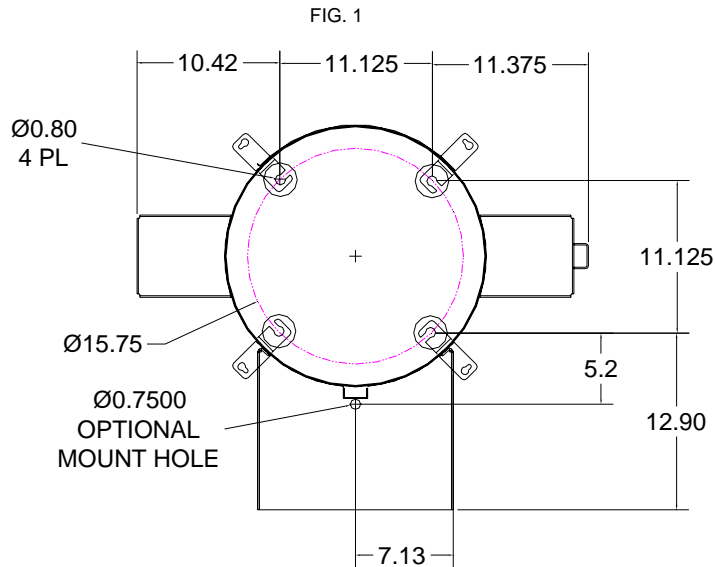
WARNING – To reduce the risk of fire, electric shock, or injury:

- Do not use on wet surfaces.
- Use only as described in manual. Use only manufactures recommended attachments.
- Do not allow to be used as a toy. Close attention is necessary when used by or near children.
- Do not put any object into openings. Do not use with any opening blocked; keep free of dust, lint, hair and anything that may reduce air flow.
- Keep hair, loose clothing, fingers, and all parts of body away from openings and moving parts.
- Do not use to pick up flammable or combustible liquids, such as gasoline, or use in areas where they may be present.
- "Do not pick up anything that is burning or smoking, such as cigarettes, matches, or hot ashes."
- "DO not use without dust bag and/or filters in place."

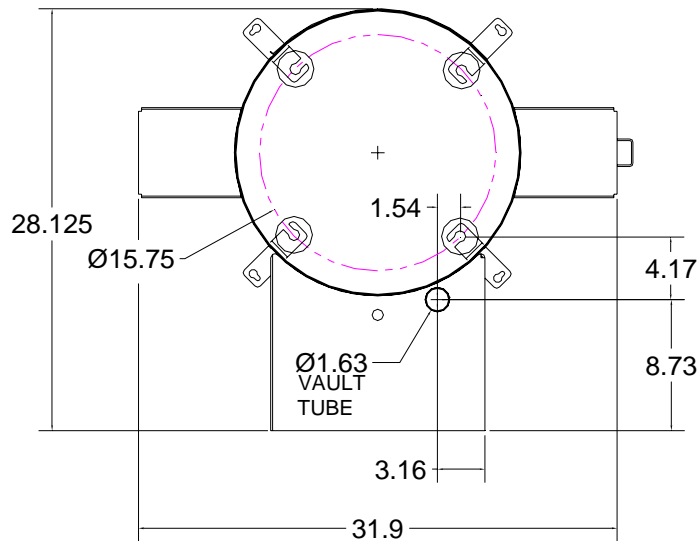
SAVE THESE INSTRUCTIONS

Installation Instructions:

- Determine location to mount unit ("**DANGER**" "**THIS EQUIPMENT INCORPORATES PARTS SUCH AS SWITCHES, MOTORS, OR THE LIKE THAT TEND TO PRODUCE ARCS OR SPARKS THAT CAN CAUSE AN EXPLOSION. WHEN LOCATED IN GASOLINE-DISPENSING AND SERVICE STATIONS INSTALL AND USE AT LEAST 20 FEET (6 M) HORIZONTALLY FROM THE EXTERIOR ENCLOSURE OF ANY DISPENSING PUMP AND AT LEAST 18 INCHES (450 MM) ABOVE A DRIVEWAY OR GROUND LEVEL.**")
- Run 30 amp service to that location (*NOTE UNIT HAS WIRE PROVIDED UNDERNEATH TO CONNECT INCOMING POWER SUPPLY*)
- **Grounding Instructions:** This appliance must be connected to a grounded metal, permanent wiring system; or an equipment-grounding conductor must be run with the circuit conductors and connected to the equipment-grounding terminal or lead on the appliance.
- Mount unit to location and use fig. 1 for mount pattern
- If unit is vault ready configuration see fig. 1 for mounting and fig. 2 for vault tube location.



FRONT OF UNIT
FIG. 2 (VAULT TUBE LOCATION)
TOP VIEW



- Once unit has been installed use 5871B8 cap plugs supplied with unit to seal holes in canister bottom located in lower cleanout door. Then connect to power, insert shampoo and spot formula into bottom door and attach lids to appropriate bottles.
- Turn unit on and move to program instructions

Programming Instructions:

Coin acceptor:

- No programming to acceptor needed if unit was purchased with the standard Imomex Z32 electronic acceptor (8149-92 our part number) is pre-programmed to accept US quarters, .984 tokens, US \$1 coin and 1.073 token. Acceptor is pre-programmed before it is sent to J.E. Adams.
- If different acceptor was purchased, see additional literature sent along with unit for programming info.

Bill acceptor:

- Bill acceptor comes pre programmed from J.E. Adams and should not require any changes. If additional programming is needed to acceptors please refer to additional literature sent along with this unit.

Display:

- Unit may be programmed when received depending on information given at that the time of order.
- To program follow the instructions below.

Display programming with remote:

- 1) Press the red power button.
- 2) Timer will display 0000. At this time type in 4 digit access code. Note code will be 1234 until changed by customer.
- 3) Once code has been entered display should read ok. If display does not read ok, repeat step 1 and 2.
- 4) Press **CH +** button. Timer will display coin value. This should \$.25 and should not be changed.
- 5) Press the **CH +** button. Display will now read (**A: 30**) or may be a different time. (**A**) Will be the time per coin for the **VAC**. Set desired time per coin by using the **VOL -** to decrease or the **VOL +** to increase. Once time is entered move to next step.
- 6) Press the **CH +** button. Display will now read (**B: 30**) or may be different time. (**B**) Will be the time per coin for **TURBO**. Set desired time per coin by using the **VOL -** to decrease or the **VOL +** to increase. Once time is entered move to next step.
- 7) Press the **CH +** button. Display will now read (**C: 30**) or may be different time. (**C**) Will be the time per coin for **SHAMPOO**. Set desired time per coin by using the **VOL -** to decrease or the **VOL +** to increase. Once time is entered move to next step.
- 8) Press the **CH +** button. Display will now read **D**. **D** is not used.
- 9) Press the **CH +** button. Display will now read **E**. **E** is not used.
- 10) Press the **CH +** button. Display will now read **F**. **F** is not used.
- 11) Press the **CH +** button. Display will now read (on A). This is the number of coins to start **VAC**. Use the **VOL -** and **VOL +** to adjust. Once this is done press the **CH+** button and repeat for (B) **TURBO** and (C) **SHAMPOO**.
- 12) Press the **CH +** button. Display will read bonus time. Set if desired. See explanation at the end programming instructions.
- 13) Press the **CH +** button. Display will debit mode. Set if desired. See explanation at the end programming instructions.
- 14) Press the **CH +** button. Display will delayed start. Set if desired. See explanation at the end programming instructions.
- 15) Press the **CH +** button. Display will read **HLxx**. Set if desired. See explanation at the end programming instructions.
- 16) Press the **CH +** button. Display will read Restart off or restart on depending on what is set. Restart off will require a person to put in full amount after unit is

- turned off to reactivate. Restart on allows for additional coins to be put in the machine to keep unit running. To set use **VOL –** or **VOL +** to change.
- 17) Press the **CH +** button. Display will now read **STD** or **USER** or **MIX**. To make a custom message use **VOL +** button to scroll to **USER**. At this point press and hold **CH +** button until original message appears. At this time you may change the message simply by using the **VOL –** or **VOL +** buttons to change letters. **Once message has been entered you must put the symbol / at the end of message.** This will tell display that this is the end of the message.
- 18) Press the **CH +** button now 5 more times to exit programming.
- 19) Unit should now be programmed.

Program definitions:

- Bonus time settings:
 - Amount of time set in bonus time is added to regular time per coin/pulse (e.g. if you want to give 45 seconds for bonus time and your regular time per coin is 30 seconds, you would set bonus time at 00:15)
 - Bonus is disabled by setting bonus time to 00:00.
 - If bonus time is set to less than one minute, bonus time is added when bonus coin is reached and every coin after that until time expires.
 - If bonus time is set at 1:00 or more, bonus will be a “one time” bonus. Bonus time will only be added for bonus coin or multiples of bonus coin (e.g. 16th coin, 32nd coin, etc). Any other coin will on receive regular time per coin.
 - If bonus time is set to 99:00, when bonus coin is deposited, timer will show “-on-” and timer will continue to run until coin switch wire is shorted to ground by a loop detector or other switch closure for a minimum of two seconds.

- Debit and credit mode:
 - Debit mode: As coins are deposited display shows “\$1.75 MORE, \$1.50 MORE, \$1.25 MORE” etc. until start price is reached. Once start price is reached display switches to time accumulating until no more coins have been deposited.
 - Credit mode: As coins are deposited display shows money accumulating (\$.25, \$.50, \$.75 etc). If timer is also set to delayed start mode timer will continue to show money accumulating until no more coins have been deposited. If timer is set to instant start, as soon as start price is reached, timer will change to time counting down.
 - Both mode: As coins are deposited display shows money accumulating (\$.25, \$.50, \$.75 etc). If start price is not reached, after 5 seconds timer will alternate between “add \$x.xx more” and amount of money already deposited.

Display programming with push button:

- Unit can be programmed using buttons that are located inside display. One is labeled **S2**, which is used to change from item to item. One is labeled **S1** which is used to set desired value. If you hold down **S1** this will cause numbers to decrease. If you repeatedly push **S1** numbers will increase.
- When programming with buttons use same instructions as remote except for the following. Where it says to press **CH +** use **S2** and where it says to use **VOL +** or **-** use **S1**.

Operating Instructions:

- Select desired function.
- Insert coins or bills to start desired function.
- If shampoo/spot is selected, it is recommended that you vacuum before applying formula.
- If other function is selected other than original selected item unit will recalculate timer based on the amount of money it takes to start the specific function.
- Once service is used, hang up hose.

Operating Instructions 29000UNI-29003UNI:

- Select desired function.
- Insert coins or bills or swipe credit card to start desired function. When credit card is selected swipe card and wait for activation.
- If shampoo/spot is selected, it is recommended that you vacuum before applying formula.
- If other function is selected other than original selected item unit will recalculate timer based on the amount of money it takes to start the specific function.
- Once service is used, hang up hose.

Changing fluids:

- Disconnect power. Unscrew cap from empty bottle. Remove empty bottle. Insert new bottle into unit. Insert line into bottle and screw cap onto bottle. Reconnect power

Maintenance:

- Filter bags should be taken out weekly and shaken out. Also it might be a good idea to keep a new set of bags on hand so that once a month or longer you can take original bags out and wash them.
- Check vac hose for cracks on a weekly basis.
- Check shampoo and spot formula bottles to assure that they are full.
- Clean canister with a stainless steel cleaner as needed.
- Check motor brushes approx. every 3 months for excessive wear. Motor brushes should be changed if they are shorter than ¼". ***Please disconnect power before doing this.***
- Check all shampoo lines and assembly for any signs of wear.
- All servicing of machine should be conducted by an authorized service representative.

Troubleshooting: *DISCONNECT POWER BEFORE SERVICING*

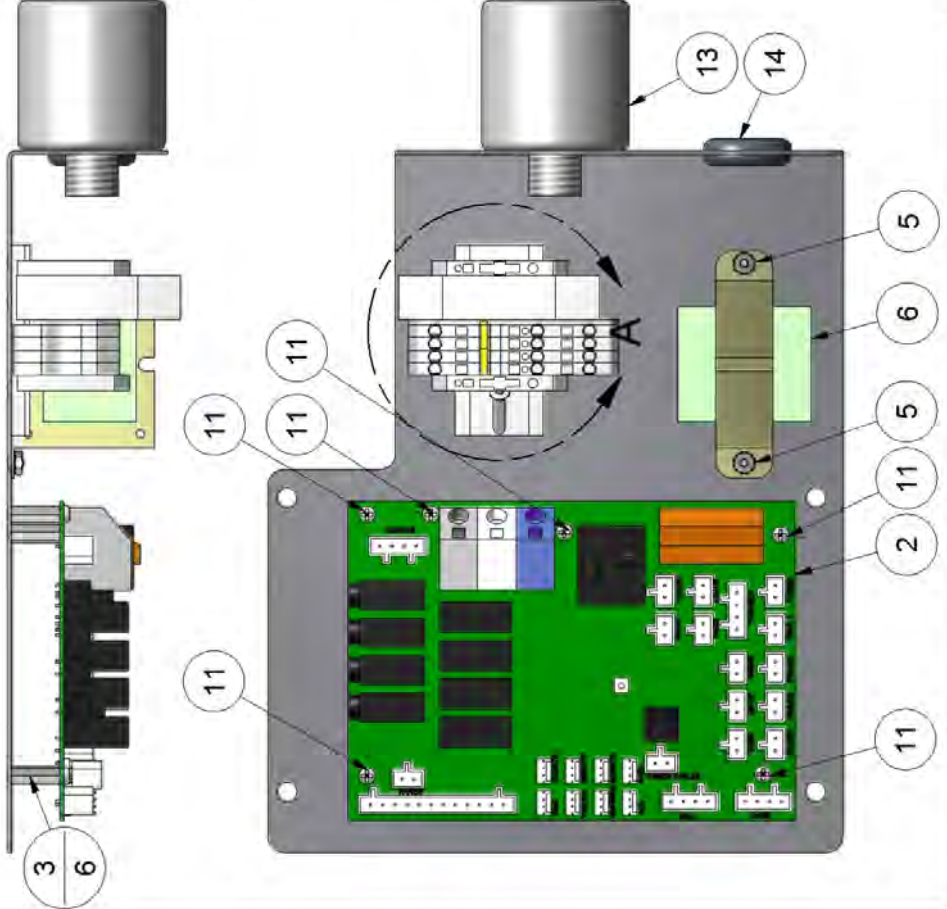
| Problem | Possible cause | Solution |
|---|--|---|
| Unit is not powered | Breaker inside unit is not in the on position | Flip breaker on |
| Display is not powering | Breaker inside unit is not in the on position Check transformer inside main power box in unit. Is there 24VAC at output terminal? | Flip breaker on Replace transformer (8131-2) |
| Display reads "fail" | Coin acceptor putting out continuous pulse Program in display may be lost | Press mode button on display. If fail does not go away replace coin acceptor. (8149-92) Reprogram display. If fail goes away and then comes back, replace battery in display. |
| Unit keeps blowing my breaker from my incoming power source | Inadequate wire size supplied to machine Wrong size breaker | Call electrician and install proper wire size for 30amp service versus length or run. Install correct breaker(only use wire size that is adequate to handle 30 amp breaker) |
| Fuses for vac motors keep blowing. | Inadequate wire size supplied to machine Motor brushes may be bad or too short | Call electrician and install proper wire size for 30amp service versus length or run. Replace motor brushes (8055BR) |
| Unit has lost suction | Vac hose clogged Filter bags need cleaned Vac hose is damaged Cleanout door gaskets torn or worn | Clean out debris from vac hose Clean out filter bags or replace (8076) Replace vac hose (2036) Replace gaskets (8159) |
| Unit has shut down For no apparent reason | This unit has a reset thermal limiter in the compressor. Unit may have shut down due to excessive heat | Turn off power to the machine and wait for a period of 5 minutes. Reapply power and activate machine. |

PART NO. **29000-250A**

NOTE:
1) ASSEMBLY ALL ITEMS AS SHOWN.

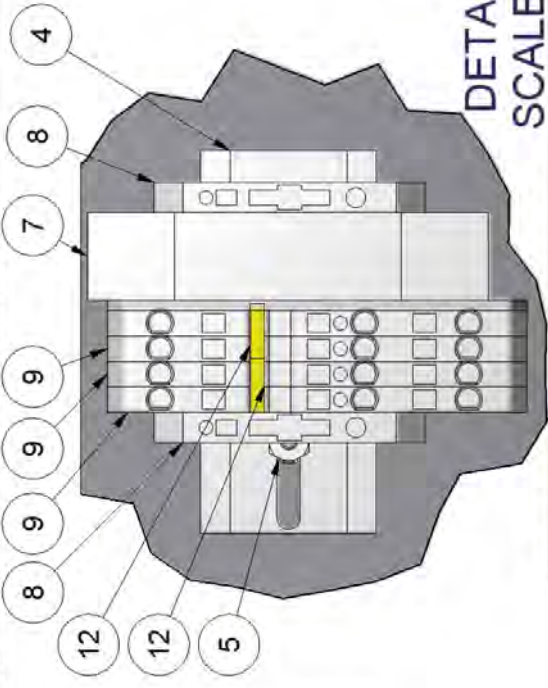
2) USE WIRE ASSEMBLY 00-CB-CONTROL PANEL TO WIRE THIS CONTROL PANEL ASSEMBLY. THE 00-CB-CONTROL PANEL IS LOCATED IN THE 00-CB-WIRE KIT CABLE PACKAGE PURCHASED FROM TIMBERLINE. THE 00-CB-WIRE KIT IS CALLED OUT UNDER THE 29000 TOP LEVEL ASSEMBLY.

3) USE WIRE DIAGRAM S29000_CB_CONTROL.



BILL OF MATERIALS

| ITEM | PART NUM | DESCRIPTION | QTY |
|------|-------------|-------------------------------------|-----|
| 1 | 29000-250W | BRACKET, CONTROL PLATE WELDMENT | 1 |
| 2 | CB-5002 | CIRCUIT BOARD, MULTI FUNCTION UNITS | 1 |
| 3 | 5000D6 | #6-32 x .75 FxF STANDOFF | 6 |
| 4 | 28000-129 | DIN RAIL CUT TO 3" | 1 |
| 5 | 8157 | NUT, #6-32 KEPP NUT STAINLESS | 4 |
| 6 | 8131-2 | TRANSFORMER, 110/220-24 1.66A | 1 |
| 7 | 28000-128 | MAGNETIC CIRCUIT BREAKER | 1 |
| 8 | 28000-124 | TERMINAL BLOCK STOP | 2 |
| 9 | 28000-800 | 33A DIN BLOCK, 10 GA. | 4 |
| 10 | 28000-820 | END BARRIER, GREY | 1 |
| 11 | 5662D5 | 6-32 x 3/8 PHIL. PAN -MACHINE SCREW | 6 |
| 12 | 28000-155 | JUMPER | 2 |
| 13 | 29000-302-R | LIGHTNING ARRESTOR, LA302-R | 1 |
| 14 | 5639D6 | RUBBER GROMMET | 1 |



TITLE **CONTROL PANEL ASSEMBLY W/CB**

| | |
|----------|--------------------|
| MATERIAL | CEDAR RAPIDS, IOWA |
| SCALE | |
| DRAWN BY | CHAD K. |
| DATE | 2/16/2009 |
| ANGLE | ±1.0° |
| PART NO. | 29000-250A |
| REV. | |

| REV | NO. | DESCRIPTION | DATE | BY |
|-----|-----|---|------|----|
| | | THIS DOCUMENT SHALL NOT BE REPRODUCED NOR SHALL THE INFORMATION THEREIN BE USED BY OR DISCLOSED TO OTHERS EXCEPT AS AUTHORIZED BY J.E. ADAMS INDUSTRIES | | |

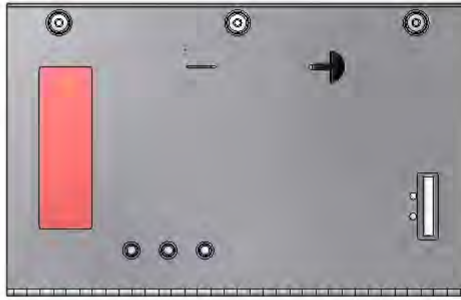
PART NO. **29000-7CBA**

NOTE:

- 1) ASSEMBLY ALL ITEMS AS SHOWN.
- 2) USE WIRE ASSEMBLY 00-CB-DOOR TO WIRE THIS DOOR ASSEMBLY. THE 00-CB-DOOR IS LOCATED IN THE 00-CB-WIRE KIT CABLE PACKAGE PURCHASED FROM TIMBERLINE. THE 00-CB-WIRE KIT IS CALLED OUT UNDER THE 29000 TOP LEVEL ASSEMBLY.
- 3) USE WIRE DIAGRAM S29000_CB_DOOR.
- 4) DO NOT OVERTIGHTEN PUSH BUTTONS ONTO DOOR. MAKE SURE THEY ARE SNUG AND SPRINGS ARE NOT PROTRUDING FROM SIDE OF PUSH BUTTON. IF SO THEY ARE TO TIGHT.
- 5) APPLY A GENEROUS AMOUNT OF HOT GLUE TO THE BACK OF THE NUT AND SWITCH. THIS WILL KEEP THE NUT FROM LOOSENING UP.
- 6) WIRE ASSEMBLY 00-CB-D-06 FOR DISPLAY. COMES WIRED TO PLUG DIRECTLY INTO CIRCUIT BOARD. WIRES MUST BE RAN THRU THE HOLE THAT IS DRILLED IN THE BOTTOM OF THE DISPLAY AND WIRED ACCORDING TO CONNECTOR THAT IS SUPPLIED WITH THE DISPLAY. THE YELLOW WIRE WHICH SHOULD BE LABELED D12 MUST GO INTO THE CONNECTOR LABELED 12 AND ALL OTHER WIRES WIRED IN DESCENDING ORDER. FAILURE TO WIRE DISPLAY PROPERLY MAY RESULT IN MALFUNCTION OF DISPLAY OR POSSIBLE DAMAGE TO THE CIRCUIT BOARD. IF IN DOUBT ASK QUESTIONS.

BILL OF MATERIALS

| ITEM | PART NUMBER | DESCRIPTION | QTY |
|------|-------------|---------------------------------|-----|
| 1 | 29000-199 | GASKET, VALIDATOR MOUNT | 1 |
| 2 | 29000-24 | DISPLAY BRACKET | 2 |
| 3 | 29000-25 | HORN BRACKET | 1 |
| 4 | 00-CB-D-05 | BLUE PUSH BUTTON | 3 |
| 4 | 29000-34 | LEXAN WINDOW | 1 |
| 5 | 29000-7CBW | CONTROL DOOR WELDMENT | 1 |
| 6 | 5611D2 | NUT, 10-24 UNC KEPP- ZINC | 4 |
| 7 | 5629D2 | #8 x 1/2 SELF TAPPING SCREW | 4 |
| 8 | 8000-11 | ALARM, LAST COIN ALERT | 1 |
| 9 | 8000-15 | BIG DIXMOR DISPLAY | 1 |
| 10 | 8149-92 | IMONEX COIN ACCEPTOR - ELECTRIC | 1 |
| 11 | 8157 | NUT, #6-32 KEPP NUT STAINLESS | 4 |
| 12 | 8659-24 | LOCK COLLAR -SS | 3 |
| 13 | 8726 | PUSH BUTTON | 1 |
| 14 | 8958-2 | MEDECO SCREW LOCK | 3 |
| 15 | 8000-21 | 2 POLE FEMALE WAGO CONNECTOR | 2 |
| 16 | 5639D6 | GROMMET | 1 |



TITLE **SHAMPOO DOOR ASSEMBLY-W/CB**

| | | |
|------------------------|------------------|---------------------|
| UNSPECIFIED TOLERANCES | MATERIAL | CEDAR RAPIDS, IOWA |
| 1 PL ±.030 | SCALE | |
| 2 PL ±.010 | DRAWN BY CHAD K. | |
| 3 PL ±.003 | DATE 2/16/2009 | PART NO. 29000-7CBA |
| ANGLE ±1.0° | | REV. |

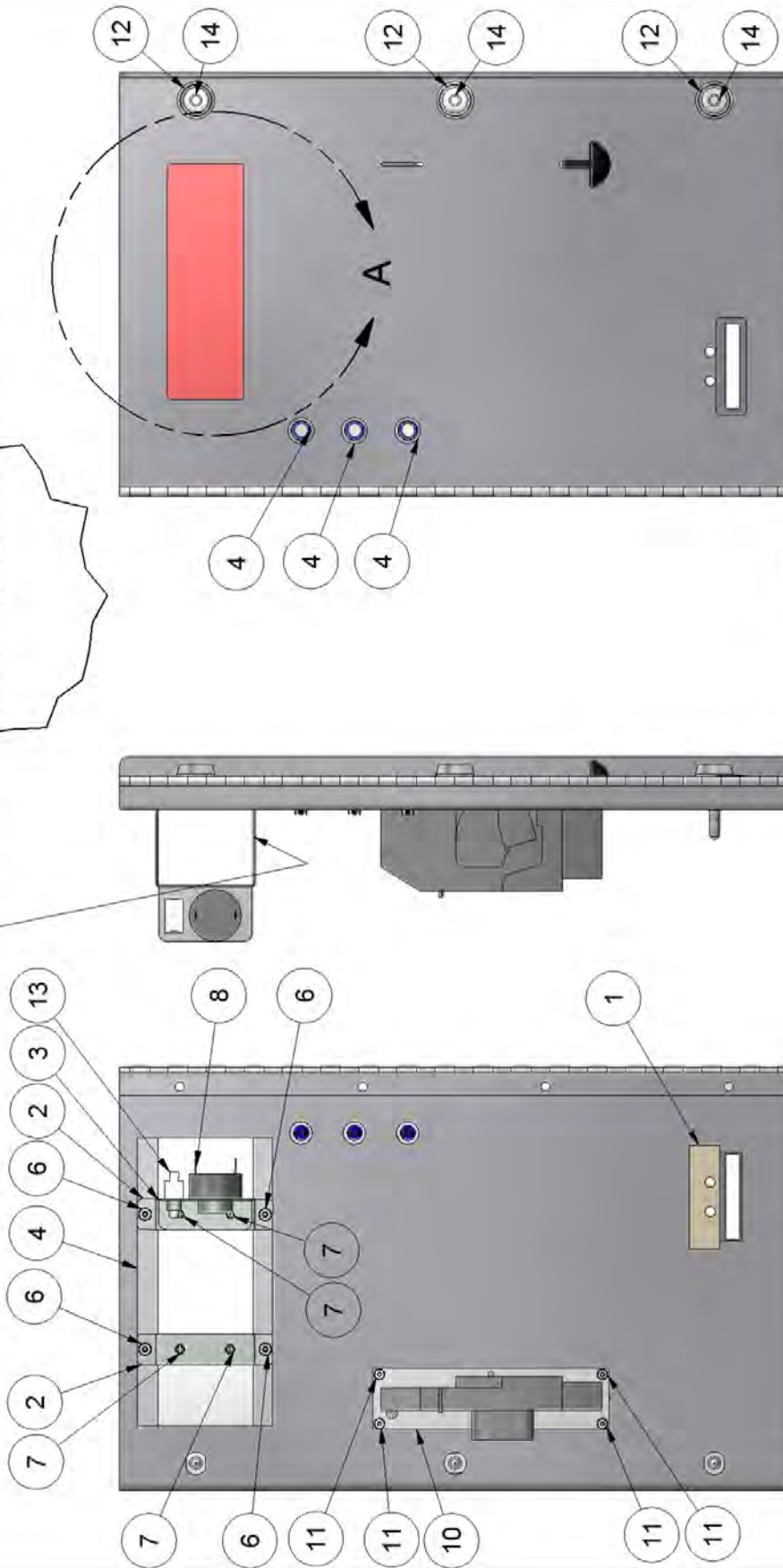


| REV | NO. | DESCRIPTION | DATE | BY | |
|-----|-----|---|------|----|--|
| | | THIS DOCUMENT SHALL NOT BE REPRODUCED NOR SHALL THE INFORMATION THEREIN BE USED BY OR DISCLOSED TO OTHERS EXCEPT AS AUTHORIZED BY J.E. ADAMS INDUSTRIES | | | |

PART NO. 29000-7CBA

NOTE:

- 1) ATTACH LEXAN PLATE USING SILICONE. APPLY EVENLY AROUND DISPLAY OPENING.
- 2) DRILL HOLE ON BOTTOM SIDE OF DISPLAY FOR WIRING AND PLACE (1) 5639D6 GROMMET IN HOLE.



DETAIL A
SCALE 0.20 : 1

TITLE SHAMPOO DOOR ASSEMBLY-W/CB

| | | |
|------------------------|----------|---------------------|
| UNSPECIFIED TOLERANCES | MATERIAL | CEDAR RAPIDS, IOWA |
| 1 PL ± 0.30 | SCALE | |
| 2 PL ± 0.10 | DRAWN BY | CHAD K. |
| 3 PL ± 0.03 | DATE | 2/16/2009 |
| ANGLE ± 1.0° | REV. | PART NO. 29000-7CBA |



| REV | NO. | DESCRIPTION | DATE | BY |
|---|-----|-------------|------|----|
| THIS DOCUMENT SHALL NOT BE REPRODUCED NOR SHALL THE INFORMATION THEREIN BE USED BY OR DISCLOSED TO OTHERS EXCEPT AS AUTHORIZED BY J.E. ADAMS INDUSTRIES | | | | |

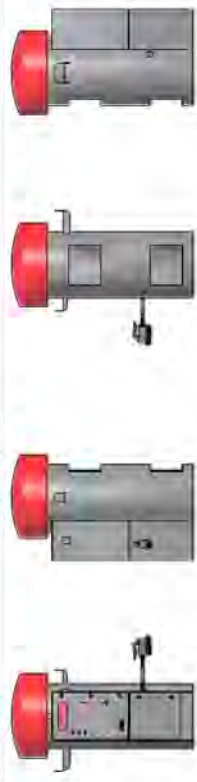
PART NO.

29000

BILL OF MATERIALS

BILL OF MATERIALS

| ITEM | PART NUMBER | DESCRIPTION | QTY | ITEM | PART NUMBER | DESCRIPTION | QTY |
|------|---------------|------------------------------|-----|------|-------------|--|-----|
| 31 | 5644D1 | CAGE NUT | 5 | 1 | 11000-15 | SHAMPOO BRUSH ASSEMBLY | 1 |
| 32 | 5647D2 | RIVET 1/8" | 16 | 2 | 11000-22 | Y-TUBE CONNECTOR | 1 |
| 33 | 5647D8 | RIVET 3/16" | 14 | 3 | 11000SPOT | SPOT REMOVER FORMULA | 1 |
| 34 | 5871B8 | CAP PLUG | 8 | 4 | 2036 | 2" x 15' VACUUM HOSE | 1 |
| 35 | 8000-21 | 2 POLE FEMALE WIRE CONNECTOR | 2 | 5 | 2058 | CLAW AND CUFF ASSEMBLY | 1 |
| 36 | 8000-22 | 2 POLE MALE WIRE CONNECTOR | 2 | 6 | 28000-36 | MOTOR MOUNT | 6 |
| 37 | 8055 | MOTOR, AMETEK 115V | 3 | 7 | 29000-14W | BOTTOM DOOR WELDMENT | 1 |
| 38 | 8057 | MOTOR GASKET | 3 | 8 | 29000-1W | CANISTER WELD COMPLETE | 1 |
| 39 | 8076 | FILTER BAG | 4 | 9 | 29000-250A | CONTROL PANEL ASSEMBLY W/CB | 1 |
| 40 | 8108 | #10 x 1/2 TAP SCREW | 6 | 10 | 29000-29A-2 | THOMAS PUMP ASSEMBLY | 1 |
| 41 | 8130-6 | MARS 110V BILL VALIDATOR | 1 | 11 | 29000-30A | LIGHT BRACKET ASSEMBLY | 1 |
| 42 | 8153-1 | LATCH | 4 | 12 | 29000-37A | COMPRESSOR ASSEMBLY | 1 |
| 43 | 8159 | DOOR GASKET | 2 | 13 | 29000-44W | VALIDATOR BOX WELDMENT | 1 |
| 44 | 8182 | DISCONNECT POWER DECAL | 2 | 14 | 29000-45W | VALIDATOR FACEPLATE WELDMENT | 1 |
| 45 | 8306 | 24" PLASTIC DOME | 1 | 15 | 29000-47W | COIN BOX ENCLOSURE WELDMENT | 1 |
| 46 | 8549-1 | FLEX STRAIN RELIEF | 1 | 16 | 29000-52W | COIN BOX WELDMENT | 1 |
| 47 | 8615-5W | CLEANOUT DOORS | 2 | 17 | 29000-59 | VALIDATOR FACEPLATE HANDLE | 1 |
| 48 | 8659-24 | LOCK COLLAR -SS | 2 | 18 | 29000-7CBA | SHAMPOO DOOR ASSEMBLY-W/CB | 1 |
| 49 | 8925 | FLOURESCENT BULB | 3 | 19 | 29000KIT | COMPLETE DECAL KIT | 1 |
| 50 | 8958-1 | MEDECO SCREW LOCK | 2 | 20 | 5601D1 | 1/4-20 x 1/2 HHCS-ZINC PLATED | 6 |
| 51 | 8958-2 | MEDECO SCREW LOCK | 2 | 21 | 5601D4 | 1/4-20 x 3/4 HHCS-SS | 4 |
| 52 | 9500WIN | WINTER SHAMPOO FORMULA | 1 | 22 | 5603D11 | 1/2 Std NC Nylock Nut | 2 |
| 53 | B5996-010 | 10AMP FUSE | 3 | 23 | 5603D2 | 1/4 Std NC Nylock Nut | 4 |
| 54 | B5997-001 | FUSE HOLDER | 3 | 24 | 5603D5 | 1/4 Std NC Nylock Nut | 8 |
| 55 | 8630 | CARDBOARD BOX | 1 | 25 | 5603D9 | 10 Std NF Nylock Nut | 2 |
| 56 | 00-CB-WIREKIT | COMPLETE WIRE CABLE PACKAGE | 1 | 26 | 5606D10 | WASHER, FLAT 1/2 SAE | 2 |
| 57 | 8939 | PALLET | 1 | 27 | 5611D4 | NUT, 5/16-18 UNC KEPP-SS | 3 |
| | | | | 28 | 5636D1 | #10-24 PHIL. PAN HEAD SCREW | 2 |
| | | | | 29 | 5639D4 | RUBBER GROMMET | 2 |
| | | | | 30 | 5639D9 | ISOLATION MNT, 30 DUR NEOPRENE, 1/4-20 | 4 |



SHAMPOO-SPOT-VAC

UNSPECIFIED TOLERANCES: 1 PL ±.030, 2 PL ±.010, 3 PL ±.003, ANGLE ±1.0

MATERIAL: CEDAR RAPIDS, IOWA

SCALE: DRAWN BY CHAD K., DATE 2/24/2009

PART NO. 29000, REV. G

5015 2-09 CK
 REV NO. DESCRIPTION DATE BY

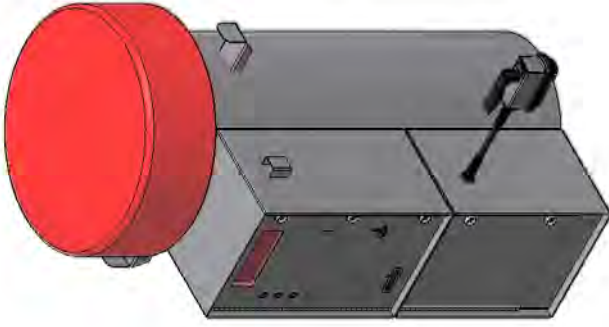
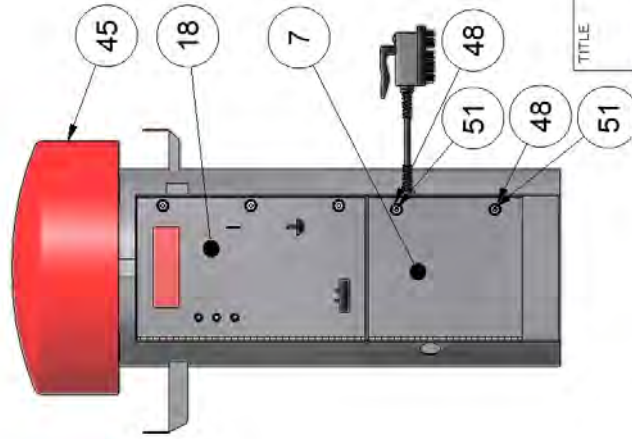
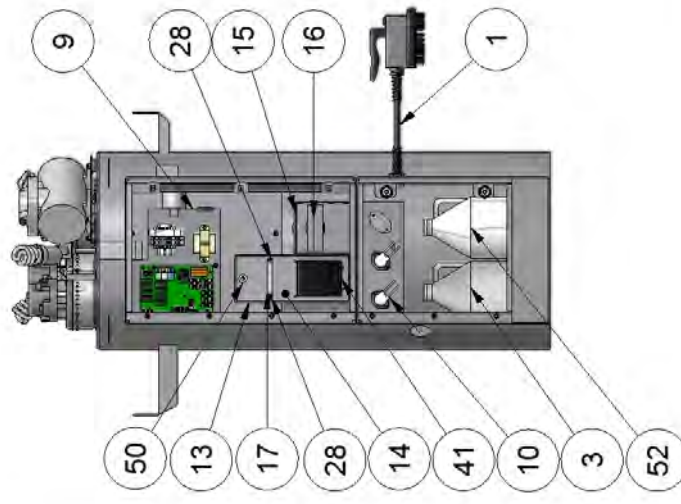
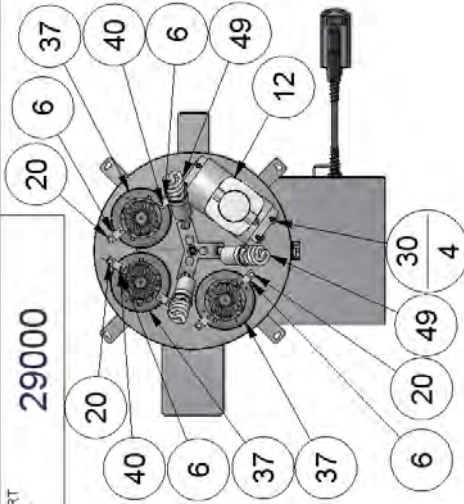
CONVERTED UNIT TO CB-5002 CIRCUIT BOARD

THIS DOCUMENT SHALL NOT BE REPRODUCED NOR SHALL THE INFORMATION THEREIN BE USED BY OR DISCLOSED TO OTHERS EXCEPT AS AUTHORIZED BY J.E. ADAMS INDUSTRIES

J.E. ADAMS INDUSTRIES, L.P.

PART NO.

29000



TITLE

SHAMPOO-SPOT-VAC

UNSPECIFIED TOLERANCES

1 PL ±.030

2 PL ±.010

3 PL ±.003

ANGLE ±1.0°

MATERIAL

SCALE

DRAWN BY

DATE

CHAD K.

2/24/2009

CEDAR RAPIDS, IOWA



PART NO.

29000

REV

G

DESCRIPTION

DATE

REV NO.

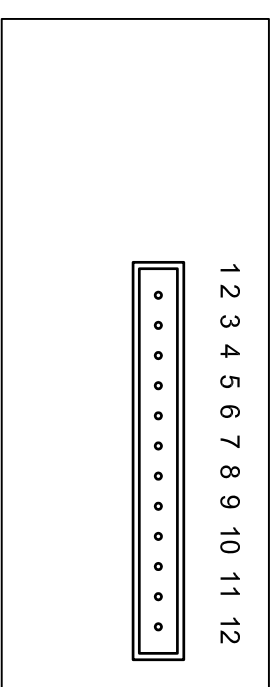
BY

DATE

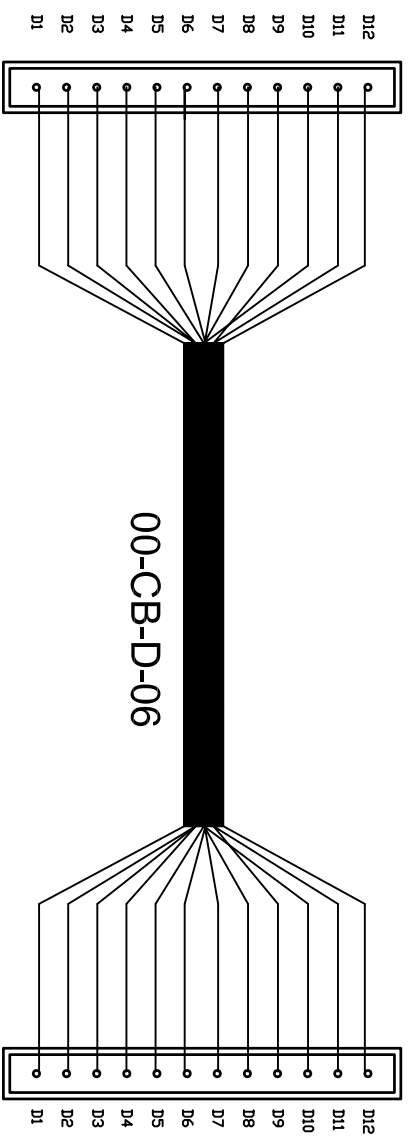
DESCRIPTION

THIS DOCUMENT SHALL NOT BE REPRODUCED NOR SHALL THE INFORMATION THEREIN BE USED BY OR DISCLOSED TO OTHERS EXCEPT AS AUTHORIZED BY J.E. ADAMS INDUSTRIES

DISPLAY

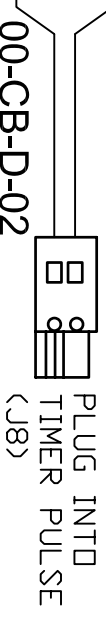
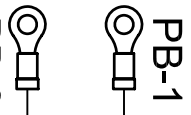
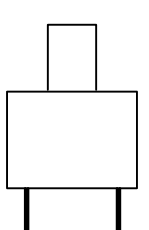


PLUG INTD
DISPLAY
CONNECTOR

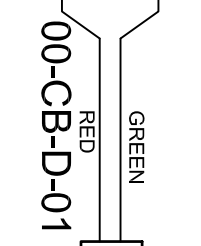
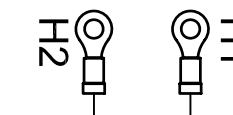
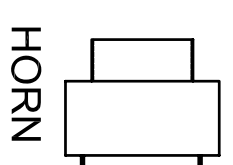


PLUG INTD
CONNECTOR (J7)

PUSH
BUTTON



PLUG INTD
TIMER PULSE
(J8)



PLUG INTD
HORN (J13)

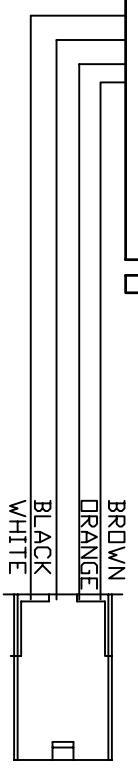
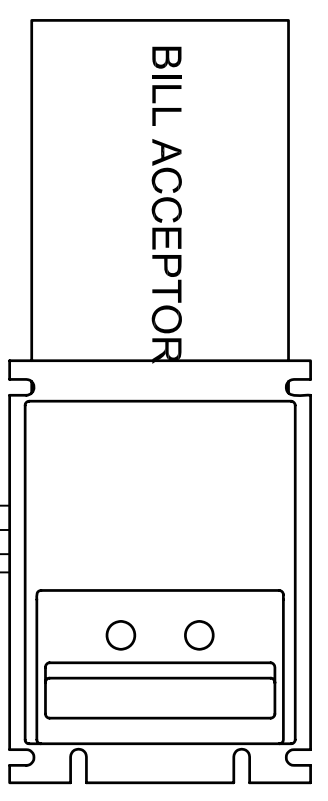
ATTACH TO
VALIDATOR
FACPLATE



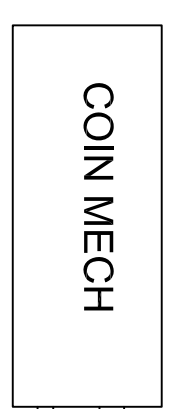
00-CB-D-07



ATTACH TO
VALIDATOR
BOX

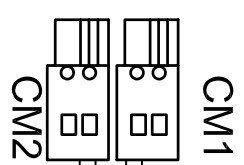


CM1



RED
BLUE
YELLOW
BLACK

CM2

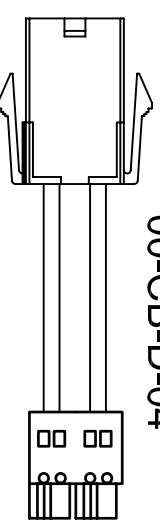


CM1

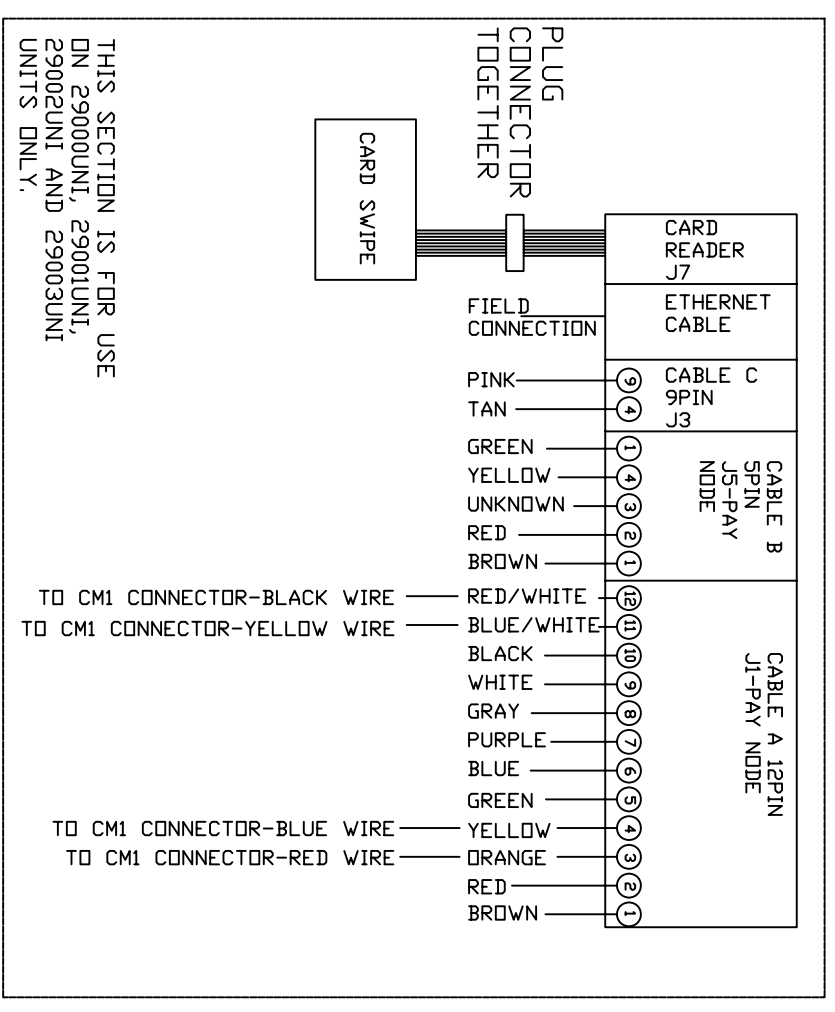
CM2



PLUG INTD
COIN (J1)



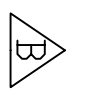
PLUG INTD
BILL (J2)



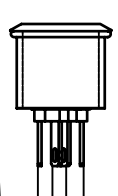
B1

00-CB-D-04

NOT USED ON 29000-2M
THRU 29003-2M MODELS



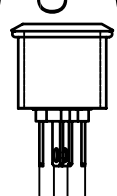
VAC



00-CB-D-05

PLUG INTD
VAC (J6)

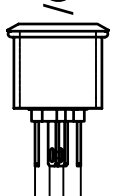
TURBO



00-CB-D-05

PLUG INTD
TURBO (J5)

SHAMPOO/
SPOT



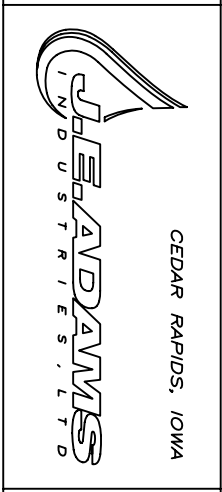
00-CB-D-05

PLUG INTD
SHAMPOO (J4)

| | | | | |
|-----|------|----------------------------|---------|----|
| REV | NO. | DESCRIPTION | DATE | BY |
| B | 5891 | ADDED NOTE | 3-19-10 | CK |
| A | 5521 | ADDED UNITEC CC TO DIAGRAM | 2-10 | CK |

THIS DOCUMENT SHALL NOT BE
REPRODUCED NOR SHALL THE
INFORMATION THEREIN BE USED
BY OR DISCLOSED TO OTHERS
EXCEPT AS AUTHORIZED BY
J.E. ADAMS INDUSTRIES

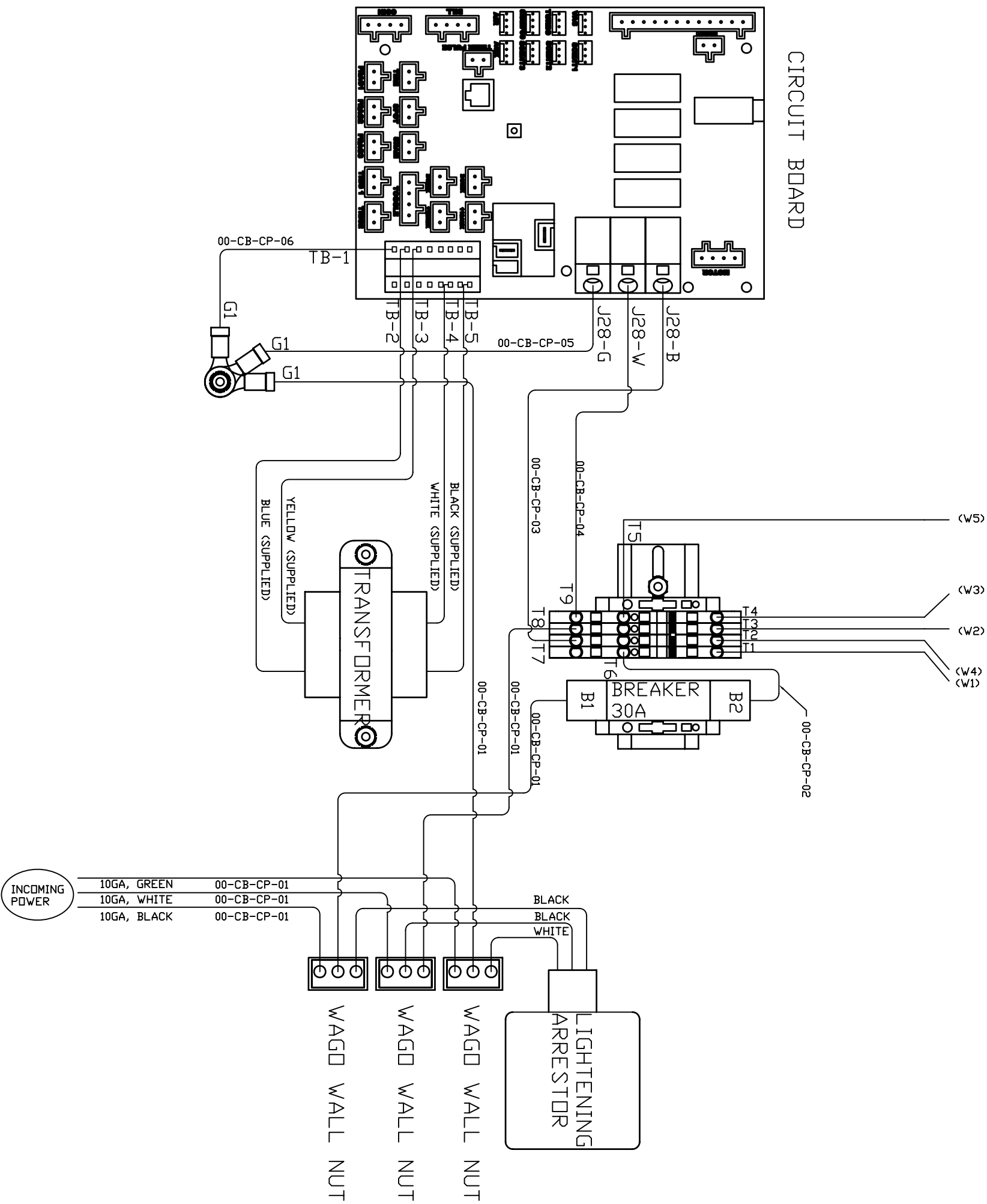
PART No. S29000_CB_D00R



UNSPECIFIED
TOLERANCES
1 PL ±.030
2 PL ±.010
3 PL ±.003
ANGLE ±1.0°

| | | | |
|------------|----------------|---------------------------------------|---------------|
| TITLE | | CONTROL DOOR WIRING 29000 SERIES UNIT | |
| DRWN | BY | DATE | SCALE |
| CK | CK | 3-2009 | - |
| MATERIAL | PART No. | SCALE | REL FOR PROD. |
| - | S29000_CB_D00R | - | - |
| REV. LEVEL | | | B |

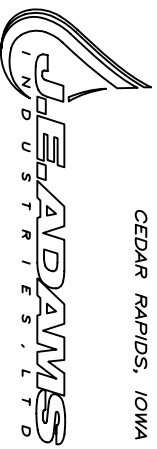
CIRCUIT BOARD



| REV | NO. | DESCRIPTION | DATE | BY |
|-----|-----|-------------|------|----|
| | | | | |

THIS DOCUMENT SHALL NOT BE REPRODUCED NOR SHALL THE INFORMATION THEREIN BE USED BY OR DISCLOSED TO OTHERS EXCEPT AS AUTHORIZED BY J.E. ADAMS INDUSTRIES

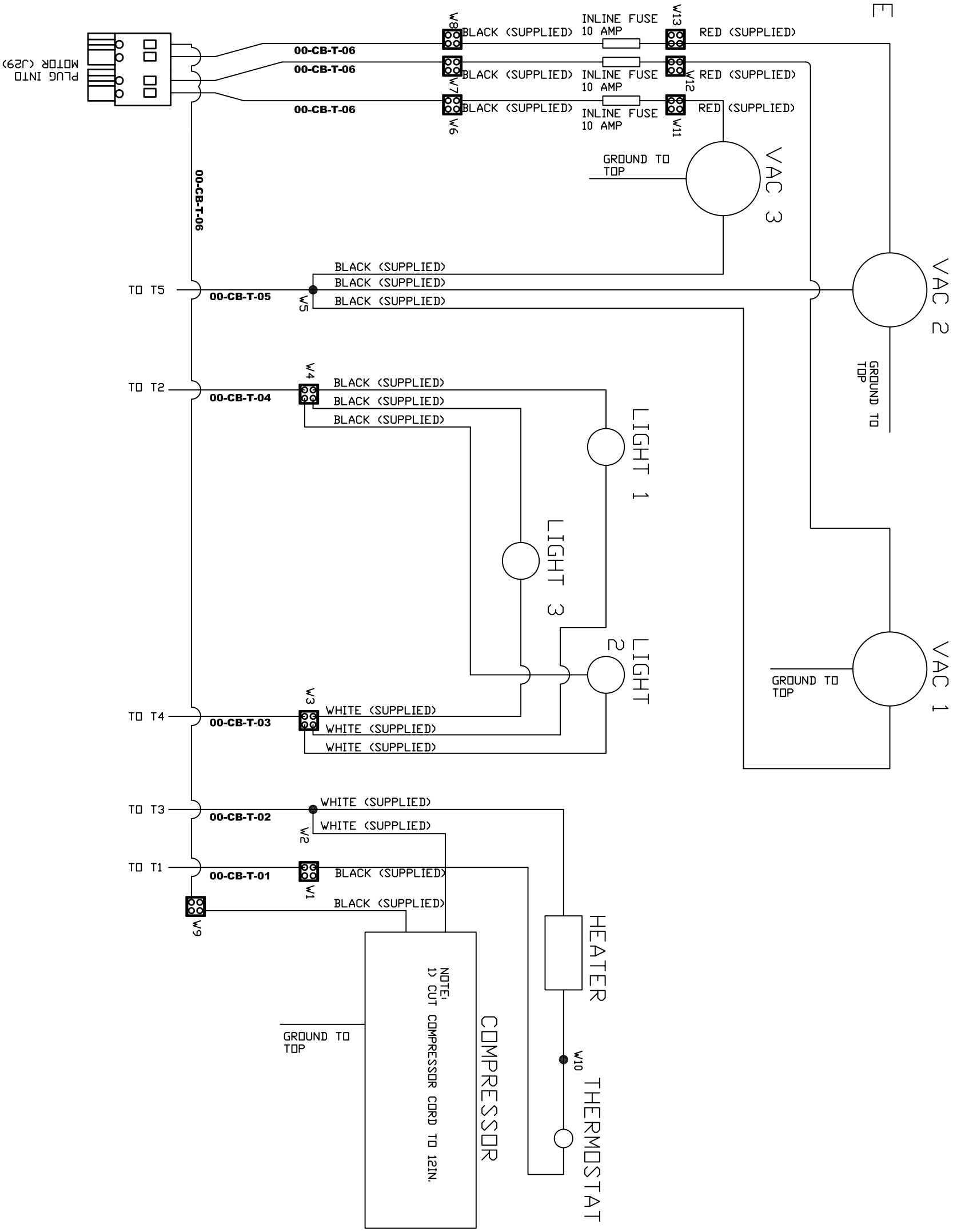
PART NO. S29000_CB_CTRL



UNSPECIFIED TOLERANCES
 1 PL ±.030
 2 PL ±.010
 3 PL ±.003
 ANGLE ±1.0°

| TITLE | | DATE | | SCALE | | REL. FOR PROD. | | REV. LEVEL | |
|---|----|----------|----------------|-------|---|----------------|---|------------|---|
| CONTROL PANEL WIRING 29000 SERIES UNITS | | 3-2009 | | - | | - | | - | |
| DRAWN BY | CK | DATE | 3-2009 | SCALE | - | REL. FOR PROD. | - | REV. LEVEL | - |
| MATERIAL | - | PART NO. | S29000_CB_CTRL | SCALE | - | REL. FOR PROD. | - | REV. LEVEL | - |

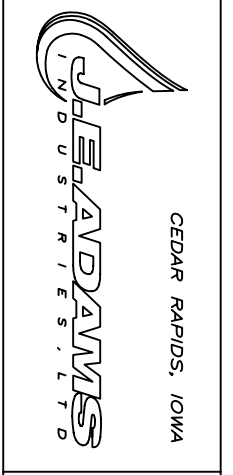
NOTE:
 1) VAC 3 AND FUSE NOT USED ON MODELS 29000-2M THRU 29003-2M.



| | | | | |
|-----|------|--------------|---------|----|
| REV | NO. | DESCRIPTION | DATE | BY |
| A | 5892 | ADDED NOTE 1 | 5-20-10 | CK |

THIS DOCUMENT SHALL NOT BE REPRODUCED NOR SHALL THE INFORMATION THEREIN BE USED BY OR DISCLOSED TO OTHERS EXCEPT AS AUTHORIZED BY J.E. ADAMS INDUSTRIES

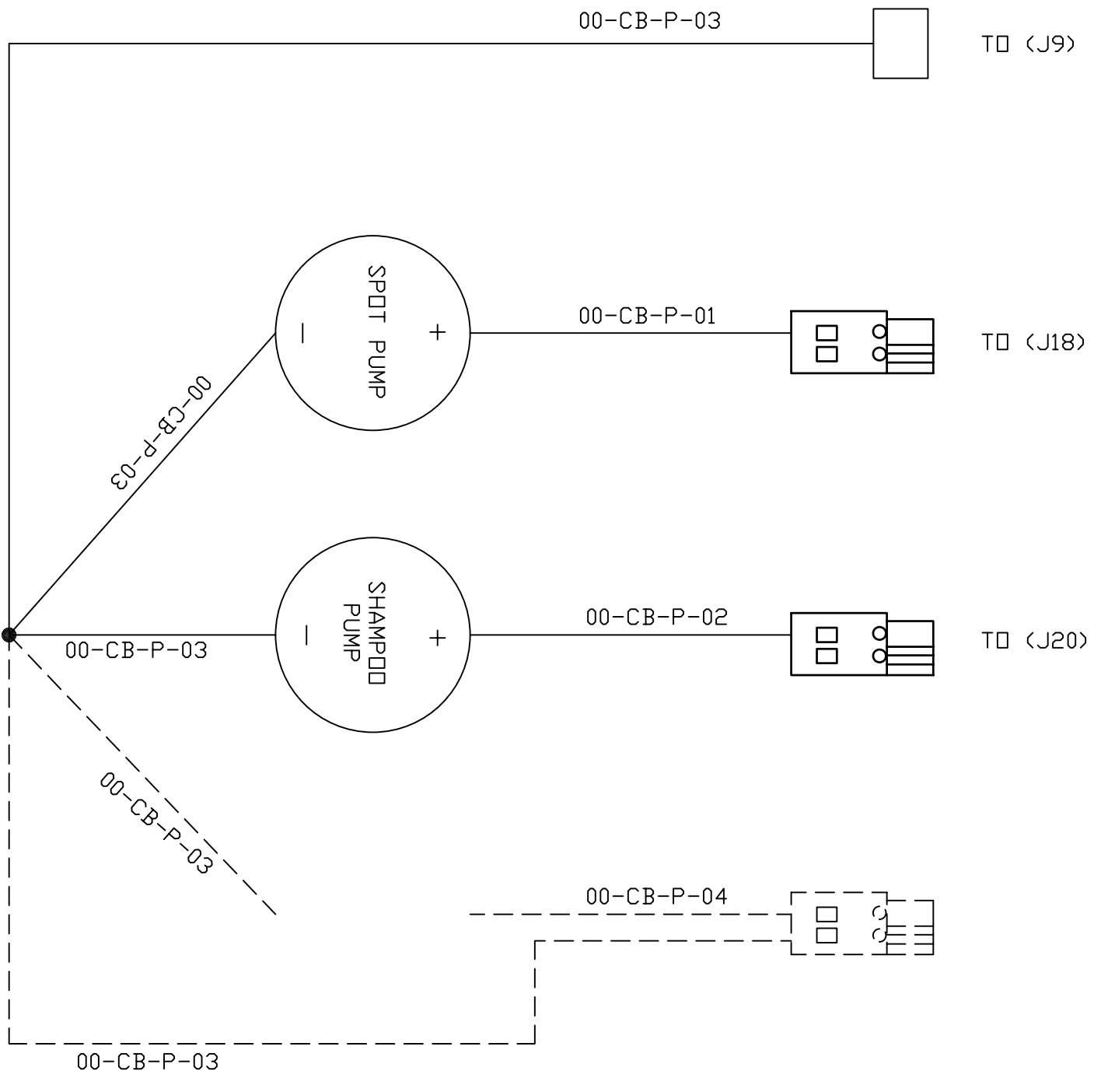
PART NO. S29000_CB_TDP



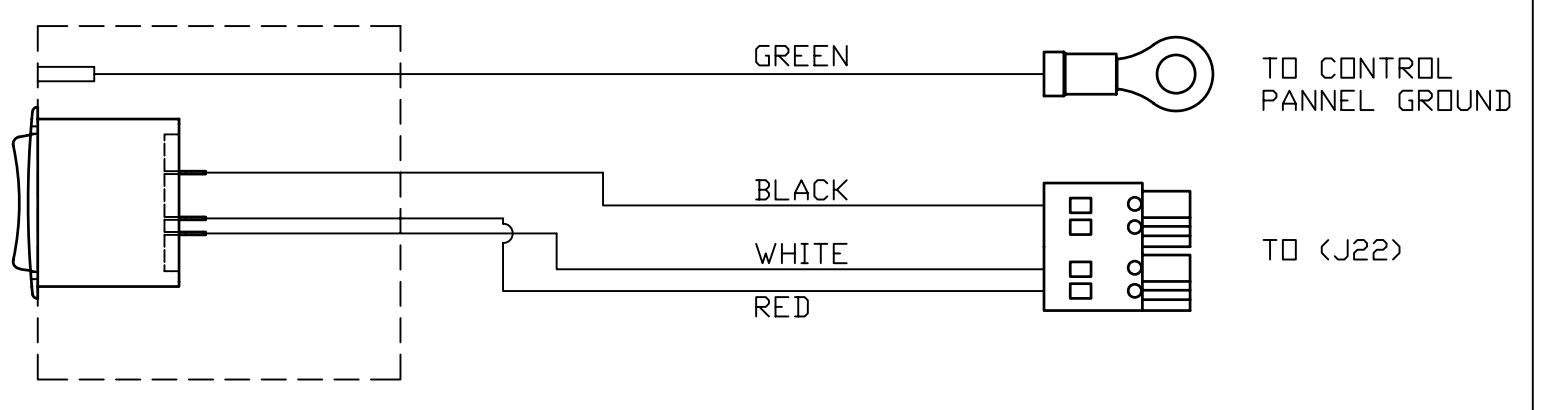
UNSPECIFIED TOLERANCES
 1 PL ±.030
 2 PL ±.010
 3 PL ±.003
 ANGLE ±1.0°

| | | | | |
|-----------------------------------|---------------|-------|----------------|------------|
| TITLE | | | | |
| UNIT TOP WIRING 29000 SERIES UNIT | | | | |
| DRAWN BY | DATE | SCALE | REL. FOR PROD. | REV. LEVEL |
| CK | 3-2009 | - | - | A |
| MATERIAL | | | | |
| | | | | |
| PART NO. | S29000_CB_TDP | | | |

NOT USED IN THIS ASSEMBLY, USED IN FRAGRANCE PUMP ASSEMBLY ONLY.



PUMP ASSEMBLY



SHAMPPOO BRUSH ASSEMBLY

| REV | NO. | DESCRIPTION | DATE | BY |
|-----|-----|-------------|------|----|
| | | | | |

THIS DOCUMENT SHALL NOT BE REPRODUCED NOR SHALL THE INFORMATION THEREIN BE USED BY OR DISCLOSED TO OTHERS EXCEPT AS AUTHORIZED BY J.E. ADAMS INDUSTRIES

PART No. S29000_CB_PUMP

CEDAR RAPIDS, IOWA
J.E. ADAMS INDUSTRIES, LTD.

UNSPECIFIED TOLERANCES
 1 PL ±.030
 2 PL ±.010
 3 PL ±.003
 ANGLE ±1.0°

| TITLE | | DATE | SCALE | REL. FOR PROD. | REV. LEVEL |
|-----------------------------------|----------------|---------|-------|----------------|------------|
| WIRE DIAGRAM, 29000 PUMP ASSEMBLY | | 3-16-09 | - | - | - |
| DRAWN BY | CK | | | | |
| MATERIAL | | | | | |
| PART No. | S29000_CB_PUMP | | | | |

