

595596

# PNEUMATIC MECHANICS STOOL OWNERS MANUAL

**TOOLEX**<sup>®</sup>  
Industrial



## ▲WARNING

*It is the owner and/or operators' responsibility to study all WARNINGS, operating, and maintenance instructions contained on the product label and instruction manual prior to operation of stool. The owner/operator shall retain product instructions for future reference.*

*The owner and/or operator are responsible for maintenance, maintaining all decals or warning labels and while in use, maintaining the unit in good working order. If the owner and/or operator are not fluent in English, the product warnings and instructions shall be read and discussed with the operators' native language by the purchaser/owner or his designee. Make sure that the operator comprehends its contents. Safety information shall be emphasized and understood prior to usage. The stool shall be inspected per the operating instructions.*

*Users of this stool must fully understand these instructions. Each person operating this stool must also be of sound mind and body and must not be under the influence of any substance that might impair their vision, dexterity, or judgment.*

*Protect yourself and others by observing all safety information.*

*Failure to comply with instructions could result in personal injury and/or property damage!*

CONSUMER SERVICE CENTRE  
PO BOX 1012  
HAMILTON NSW 2303 AUSTRALIA  
Made in P.R.C.

## SAFETY GUIDELINES / DEFINITIONS

This instruction manual is intended for your benefit. Please read and follow the safety, installation, maintenance and troubleshooting steps described within to ensure your safety and satisfaction. The contents of this instruction manual are based upon the latest product information available at the time of publication. The manufacturer reserves the right to make product changes at any time without notice.

**▲ WARNING:** Read and understand this entire instruction manual before attempting to assemble, install, operate or maintain this stool. Failure to comply with the instructions may result in serious personal injury and/or property damage!

The following signal words are used to emphasize safety warnings that must be followed when using this stool:

**▲ DANGER** Indicates an imminently hazardous situation that, if not avoided, WILL result in death or serious injury.

**▲ CAUTION** Indicates a potentially hazardous situation that, if not avoided, MAY result in minor or moderate injury.

**▲ WARNING** Indicates a potentially hazardous situation that, if not avoided, COULD result in death or serious injury.

**▲ NOTICE** Indicates important information, which if not followed, MAY cause damage to equipment.

## SPECIFICATIONS

Capacity: ..... 134 Kg  
 Tool Tray:..... 375mm diameter x 22mm deep  
 Ram Extension: ..... 125mm  
 Castors: ..... 65mm  
 Seat:..... 300mm diameter x 41mm deep

Specifications are subject to change without notice.

## IMPORTANT SAFETY INFORMATION

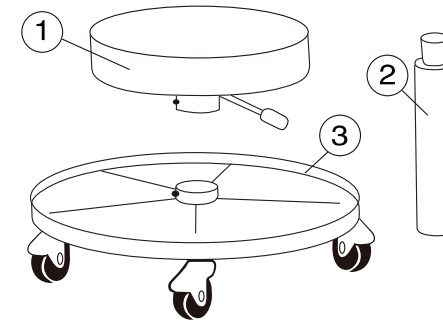
**▲ WARNING**  
**READ, UNDERSTAND AND FOLLOW ALL INSTRUCTIONS AND WARNINGS BEFORE OPERATING THIS EQUIPMENT. FAILURE TO DO SO MAY RESULT IN PERSONAL INJURY AND/OR PROPERTY DAMAGE.**

1. DO NOT exceed rated capacity. Overloading the stool or tray can cause damage to or failure of the stool.
2. Use only on hard, level surface capable of sustaining the load. Use of stool on other than hard level surfaces can result in stool instability.
3. DO NOT stand on stool. Serious injury can result if the stool tips over or you accidentally come in contact with the stool.
4. DO NOT expose to heat. Parts of the unit are under pressure.
5. Do not alter this product in any way.
6. Keep your work area clean and well lit. Cluttered work areas invite accidents.
7. Keep bystanders, children, and visitors away while operating stool. Distractions can cause you to lose control.
8. Stay alert. Watch what you are doing, and use common sense when operating a stool. Do not use a stool while tired or under the influence of drugs, alcohol or medication. A moment of inattention while operating stool may result in serious personal injury.
9. Store idle stool out of reach of children and other untrained persons. Stools are dangerous in the hands of untrained users.
10. Stool service must be performed only by qualified repair personnel.

Service or maintenance performed by unqualified personnel could result in a risk of injury.

11. The warnings, precautions, and instructions discussed in this manual cannot cover all possible conditions and situations that may occur. The operator must understand that common sense and caution are factors, which cannot be built into this product, but must be supplied by the operator.

## PACKAGING CONTENTS



#	Description	Quantity
1	Seat Cushion with Lifting Lever	1
2	Lifting Unit	1
3	Tool Tray Assembly (5 pc 65mm castors attached)	1

## ASSEMBLY INSTRUCTIONS

1. Loosen fasteners (B).
2. MAKE SURE the tray is on a firm surface with the wheels down. Insert the lifting unit (C) into the tool tray hole (E). The bigger end of the lifting unit (C) is the end that inserts into the tool tray hole (E). It might be necessary to seat the lifting unit (C). Do this by holding a block of wood over the top of the lifting unit and gently tapping with hammer to seat the lifting unit. NOTE: It might be easier to position the tray (D), wheels down, on the grass or a surface that is not smooth.
3. ATTACH the seat (A) to the lifting unit (C)
4. MAKE SURE all fasteners are tightened (B). NOTE: It is recommended you take the time to make sure that the castors (F) are tight
5. TO RAISE seat, stand next to stool. Lift handle, and release when seat is at the desired height.
6. TO LOWER seat, sit on the stool. Lift handle, and release when the seat is at the desired height.

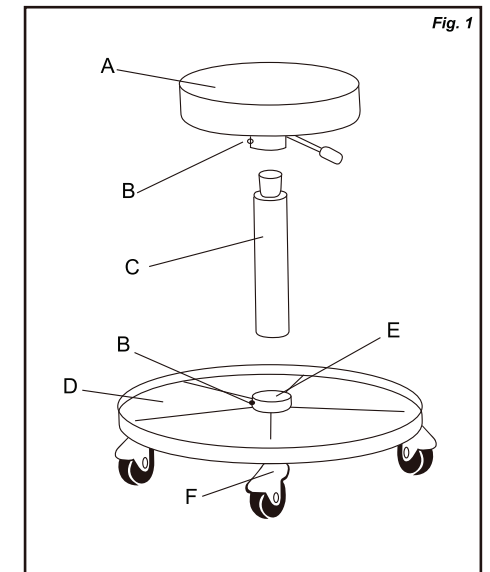


Fig. 1