

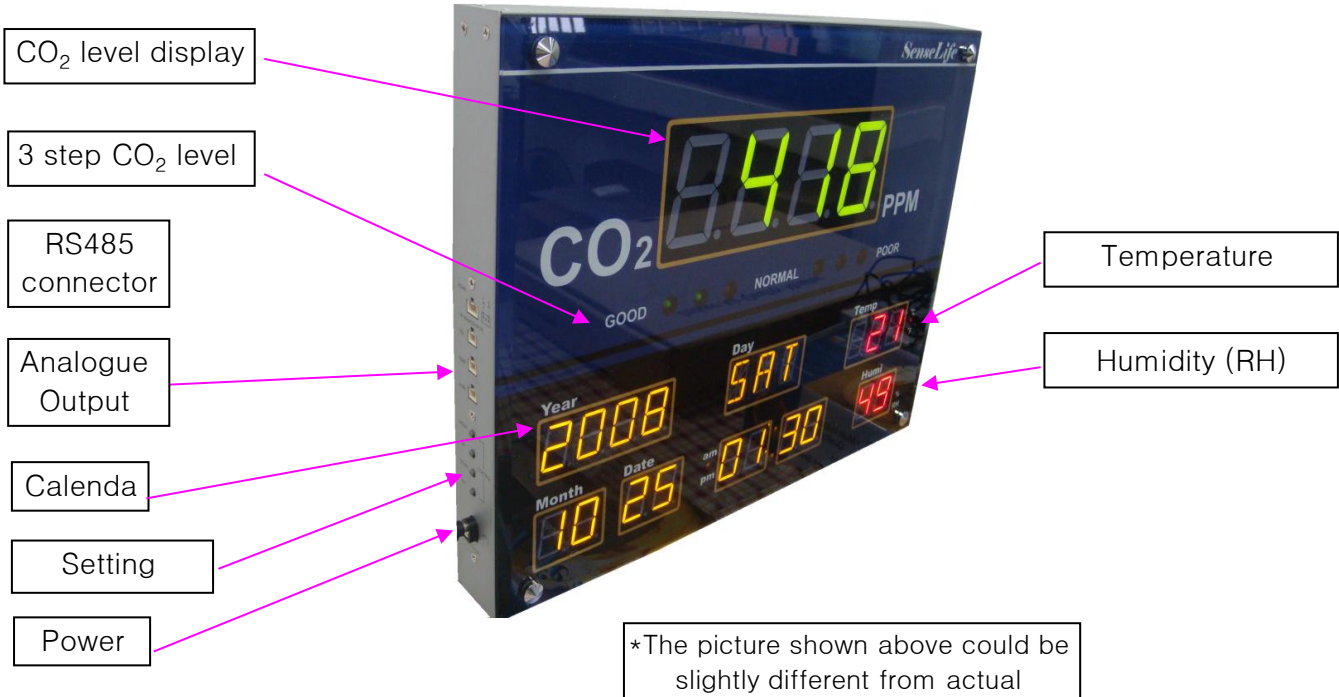
SenseLife Wim

User Manual

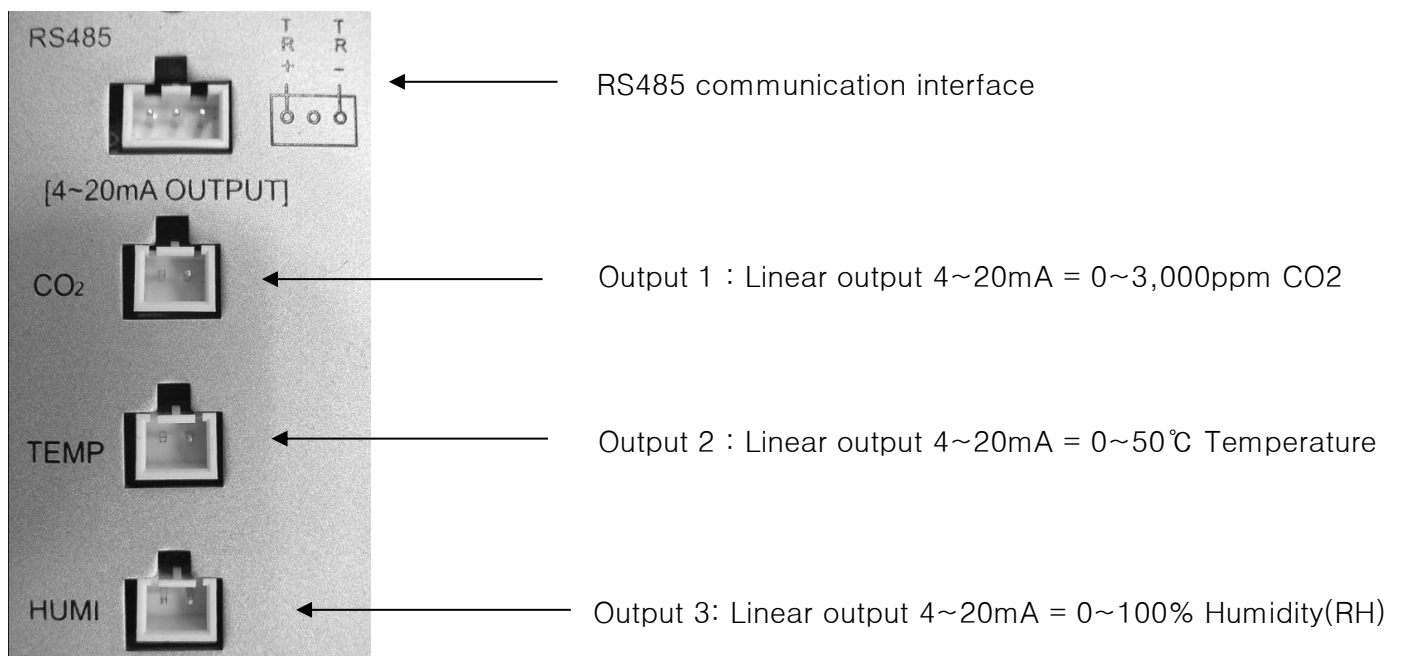


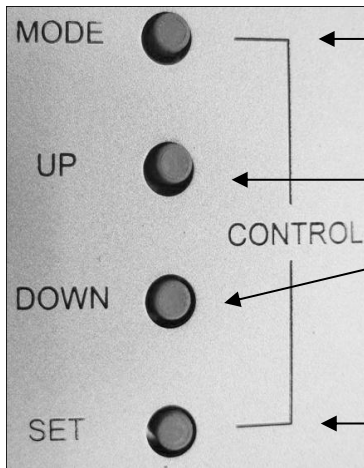
 **HANA Engineering**

Name of each part



Side View

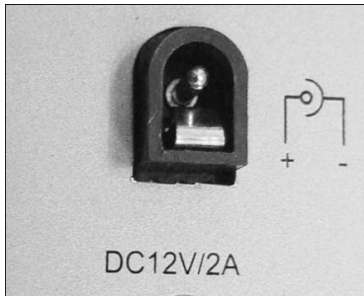




Mode button for starting time setting

UP/Down button to increase/decrease time setting value

Set button to complete time setting



Power supply inlet
Wim 300 = DC9V
Wim390, 530 = DC12V

SenseLife Wim User Manual

1. RS485 Address Setting Method

First, press "SET" button for 2 seconds with one finger, then press "DOWN" button with another finger



*"SET" button should stay pressed, while you press "DOWN" button

*Flickering "Year" section means you are in RS485 address setting mode

Set ID by pressing "UP", "DOWN" button (ID: 1~32 available)



Press "SET" button more than 3 seconds to complete setting



When "Year" section displays four digit year, it means you are out of setting mode

*Protocol data can be provided upon your request

2. Time setting

Press "MODE" button more than 3 seconds, "Year" section flickers



Set "Year" by pressing UP, DOWN button

Press "SET" button, "Month" section flickers



Set "Month" by pressing UP, DOWN button

Press "SET" button, "Date" section flickers



Set "Date" by pressing UP, DOWN button

Press "SET" button, "Day" section flickers



Set "Day" by pressing UP, DOWN button

Press "SET" button, one of two round LEDs, below am/pm sign, flickers



Set am/pm by pressing UP, DOWN button

Press "SET" button, "Hour" section flickers



Set "Hour" by pressing UP, DOWN button

Press "SET" button, "Minute" section flickers



Set "Minute" by pressing UP, DOWN button

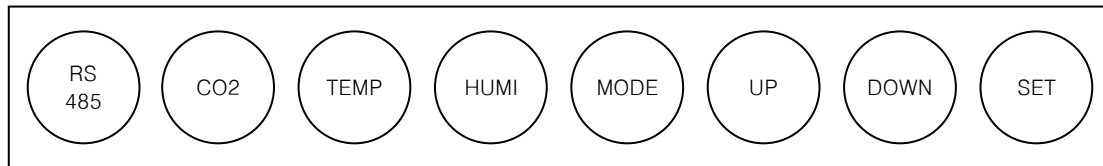
Press "SET" button to complete time setting

3. Converting temperature scale [°C <-> °F]

From °C to °F: Press "SET" button

From °F to °C: Press "SET" button

4. Menu button



RS485-----A port for RS485 communication interface

CO2-----Current output(4~20mA) which can be connected to an exterior device

CO2 Range--0~3,000ppm

TEMP----Current output(4~20mA) which can be connected to an exterior device

TEMP Range--0~50℃

HUMI----Current output(4~20mA) which can be connected to an exterior device

HUMD Range--0~100%

MODE----Button for entering setting mode

UP-----Increase setting value

DOWN---Decrease setting value

SET-----Moving to another section / Finishing setting mode