

**Meicheng**

***Network-VK2000***

**Network Conference Microphone**

**User's Manual**

# Thank you for choosing

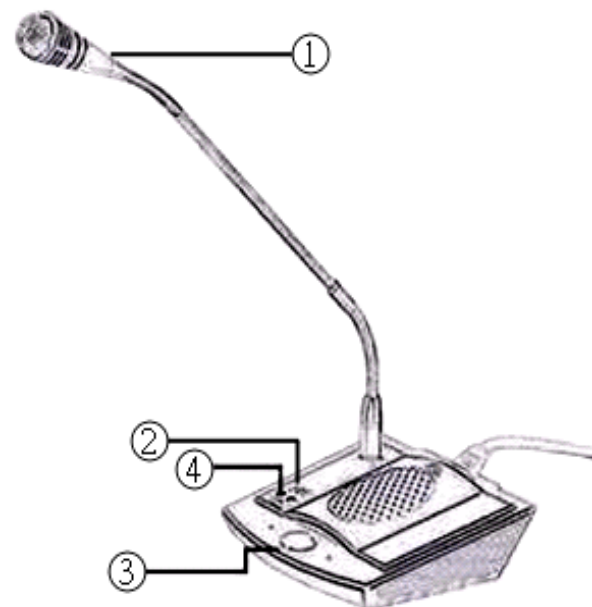
Meicheng **Network-VK2000!**

Thank you so much for choosing Meicheng **Network-VK2000**, please read this user's manual carefully.

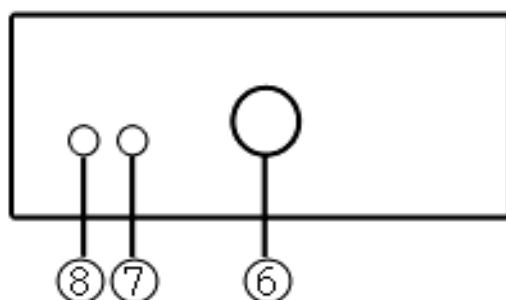
## Introduction:

- 1 **The indicator light ring of the microphone:**  
Red light ring on microphone to indicate if the mic is "ON".
- 2 **LCD:** Volume "0"- "9" / Booting display.
- 3 **MUTE:** Press the microphone mute button, indicator light will be extinct.
- 4 **Volume (VOL + / -):** Minimum: "0"; Maximum: "9"
- 5 **Power indicator light:** Connect USB cable to PC, the power indicator light shines while VK2000 is running.
- 6 **USB jack**
- 7 **Earphone jack:** for line-out speaker
- 8 **Microphone jack**

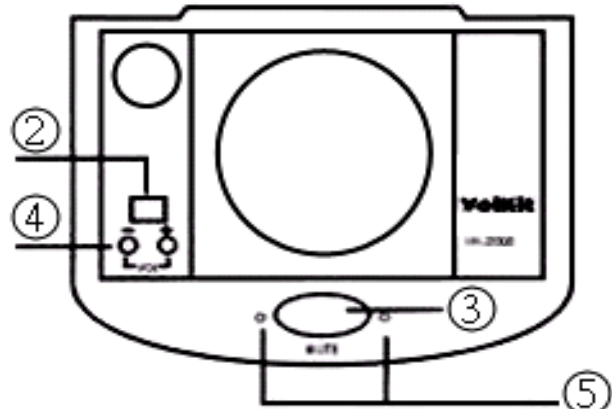
VK-2000



Back View



Vertical View



## Caution:

1. VK2000 should be used under USB interface to make sure great using effect.
2. Please keep VK2000 away from heat sources and direct sunshine; moreover, keep it dry and away from water.
3. Please avoid foreign matters dropping into the device because it will cause short circuit.
4. If VK2000 breaks down, please don't disassemble it by yourself. Please contact with manufacturer or technician of the agent because VK2000 is a very minute electronic device.

## Function:

1. VK2000 uses advanced DSP echo cancellation technology, and combines goosenecked capacitance microphone and speaker together to provide omni-directional receiving sound (about 2-3 meters) and hands-free megaphone. VK2000 has clear sound transmission and echo cancellation. It's more convenient to work with the webcam.
2. VK2000 has USB port and its "plug-an-play" function is provided for windows 2000 or above instead of installing the software. Besides, its built-in sound card, users can use VK2000 and listen to music at the same time instead of inserting or swapping the plug of speaker, microphone or earphone frequently.
3. VK2000 applies at professional Web Conference; moreover, it also can be used for several network chatting software: QQ, Skype, Google Talk, Yahoo Messenger, MSN Messenger and AIM...etc.

## Specification:

Speaker	2w peak	Impedance	4 Ω
Frequency Response/ dB	100 Hz ~ 6 KHz / 120 dB peak		
Technology	Use DSP echo cancellation & restraint		
Connecting Port	USB 1.1 or 2.0		
System	Windows 2000 / XP		
Voice	Receiving distance are 2-3 meters		
Receiving Direction	Omni-directional receiving sound		

## Instruction:

Please connect **Network-VK2000** USB cable to the USB standard port of PC – standard USB port has 500 mA drive power. Please add “USB Sound Device” at the “Habitual Device” “Audio” “Sound & Multimedia” in “Control Desk” of PC. Please choose this device as latter USB sound device to run VK2000.

(See pic1)



(pic1)



(pic2)

If you didn't set “USB Sound Device” for “Habitual Device”, please change the setting in Network Chatting Software such as MSN Messenger. In MSN, you can switch to USB Sound Device in the “Audio Adjustment Genie” to start VK2000.

## Accessory:

1. Host x 1
2. Appropriative USB cable x 1
3. Earphone x 1, Microphone x 1
4. Users' manual x 1
5. Warranty x 1

# Memo



**Meicheng<sup>®</sup> MEI CHENG AUDIO VIDEO CO., LTD**  
**Address: 5F., NO.115, SEC. 2, HUAN HO N. RD., TAIPEI, 10376 TAIWAN**  
**Tel: +886(2) 2585 3869, Fax: +886(2) 2593 6672**  
**Website: [www.meicheng.com.tw](http://www.meicheng.com.tw) Email: [mei.cheng@msa.hinet.net](mailto:mei.cheng@msa.hinet.net)**