

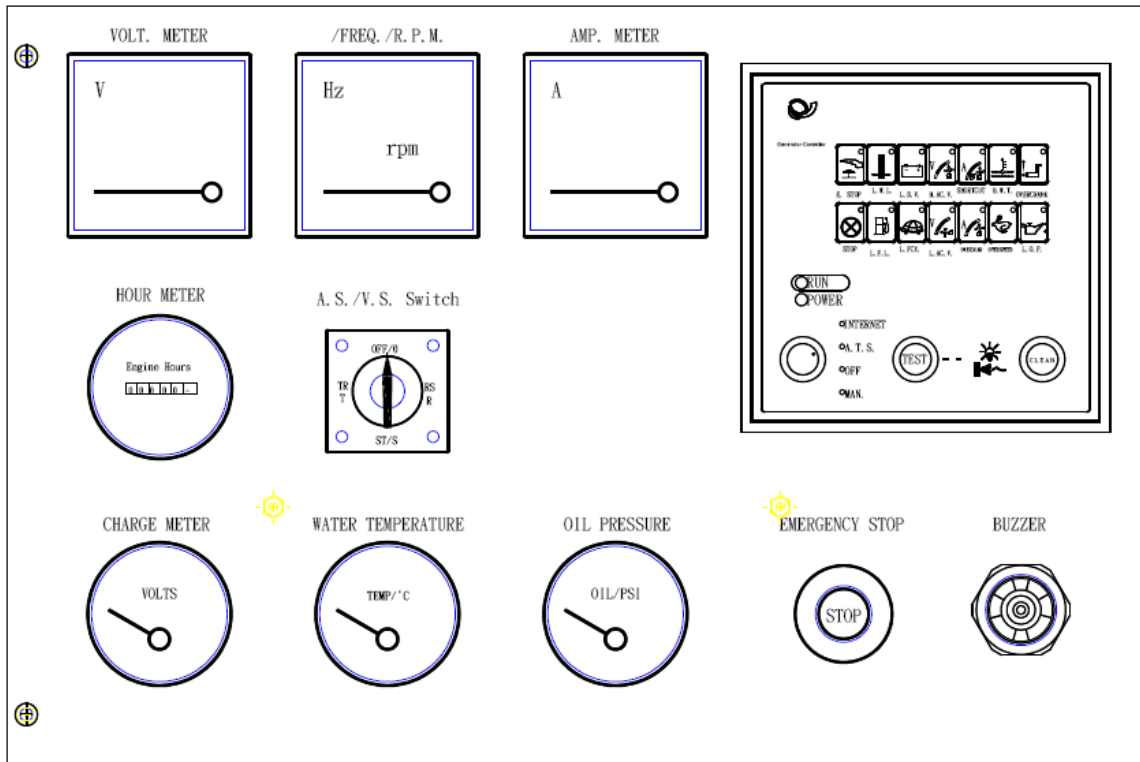
GTR-62 Control Panel User Manual



Web Site : <http://www.monicon.com.tw>

E-mail : sales@monicon.com.tw

Panel Description



Volt. Meter - Indicating generator output voltage

Freq./R.P.M. - Indicating generator output frequency and running speed

Amp. Meter - Indicating generator output current

Controller – GTR-62

Hour Meter - Generator running hours for maintenances

A.S. / V.S. Selection Switch - The switch selects phase voltage and current

Charger Meter - Indicating battery voltage

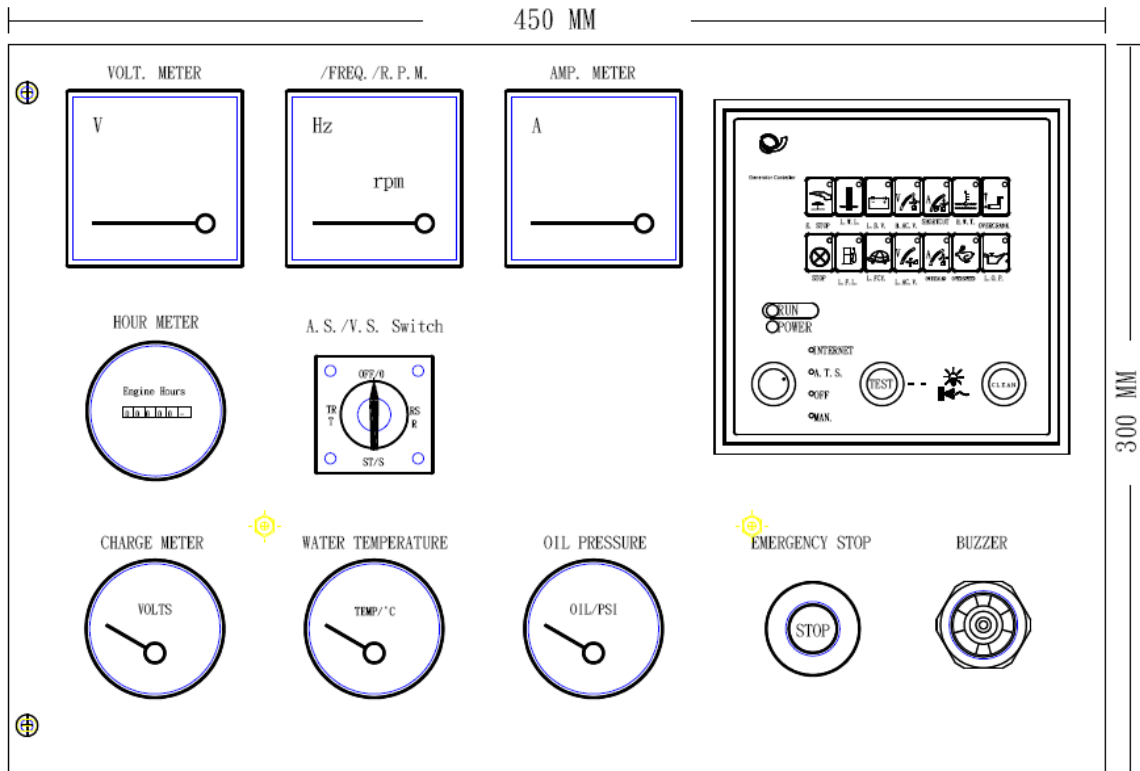
Water Temp. Meter - Indicating engine coolant temperature

Oil Pressure Meter - Indicating engine oil pressure

Emergency Stop – During emergency situations, press this button to close the fuel valve and stop the engine. To reset, turn the button clockwise.

Buzzer – Produce sound when there is error

Dimensions



Terminal wiring Description

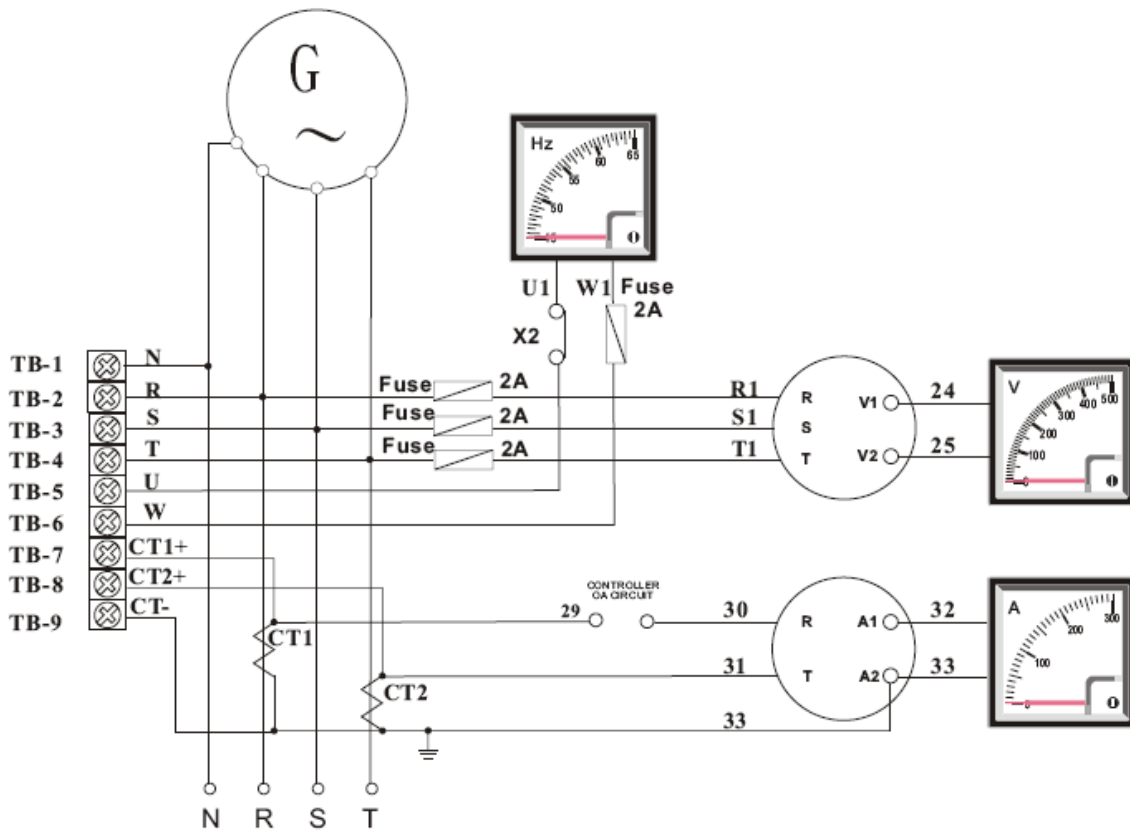
◆ Front Panel

TB-26			Battery B-
TB-25			Battery B-
TB-24	+		Battery B+
TB-23	+		Battery B+
TB-22	17		Engine charger exciter D+/F+
TB-21	7		Fuel valve
TB-20	4		Solenoid to stop
TB-19	3		Starter motor
TB-18	14		Low fuel level switch
TB-17	13		High water temp. Switch
TB-16	12		Low water level Switch
TB-15	11		Low oil pressure Switch
TB-14	23		Engine charger W
TB-13	20		Oil meter sensor
TB-12	19		Water temp. Meter sensor
TB-11	42		Shutdown trip output
TB-10	41		Shutdown trip output
TB-9	33		CT1L CT2L
TB-8	31		CT2K
TB-7	29		CT1K
TB-6	W		220V
TB-5	U		220V
TB-4	T		GENERATOR T PHASE
TB-3	S		GENERATOR S PHASE
TB-2	R		GENERATOR R PHASE
TB-1	N		GENERATOR N PHASE

◆ Rear Panel

TB-4			
TB-3	ATS		→A.T.S. AUTO
TB-3	ATS		→A.T.S. AUTO
TB-2	Utility		→AC 110V/220V
TB-1	Utility		→AC 110V/220V

AC Connection



DC connection

