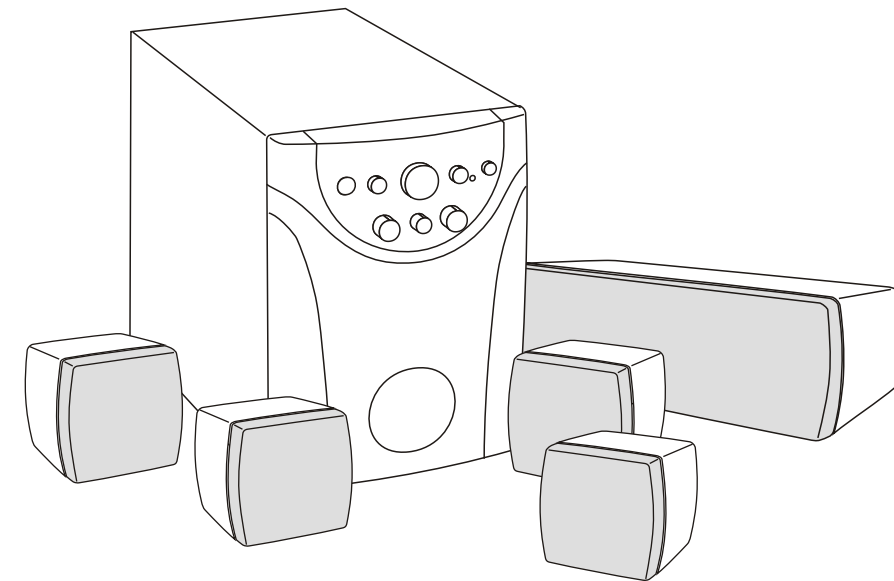


JS[®]
JAZZ SPEAKERS[®]
Creating Audio Lifestyles™



OPERATING INSTRUCTIONS
J-9911 For DOLBY Digital Speaker



JAZZ Hipster Corporation

2F, No.512, Yuan-San Road, Chung-Ho City
Taipei Hsien, Taiwan, R.O.C
TEL :886-2-2222-5678 FAX : 886-2-2223-1333
e-mail : jazzjs@jazzspeakers.com

JAZZ INC.

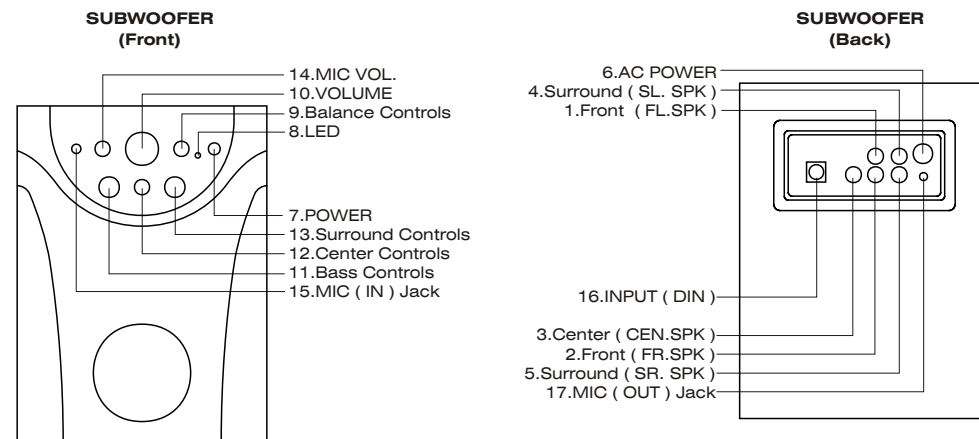
1355 Darius Court
Industry, California 91745 U.S.A
TEL : (626)336-2689 FAX : (626)336-2489
web : www.jazzspeakers.com

J38-10097-010

Magnetically Shielded Amplified Speakers

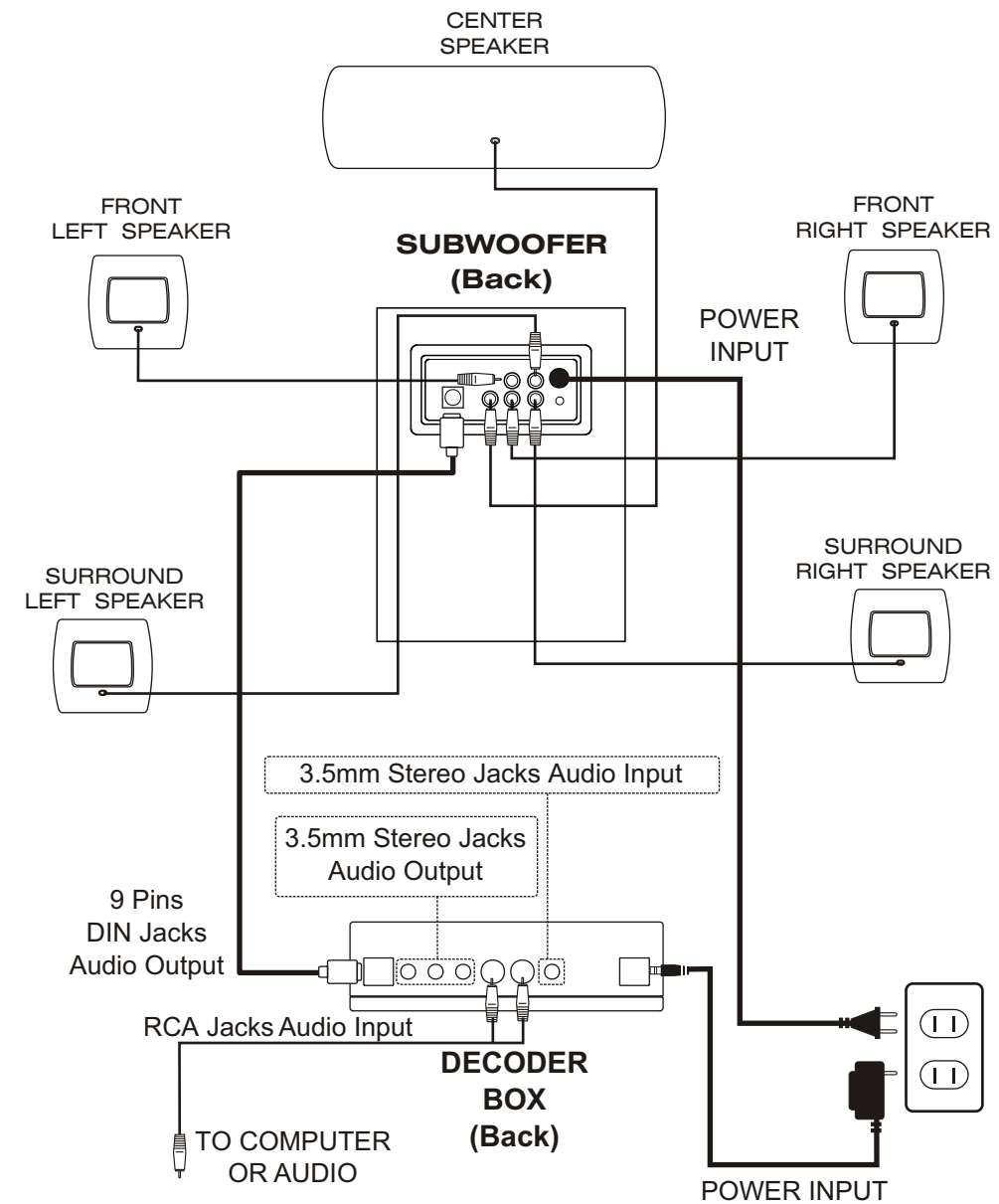
(English)

Operating instruction for J-9911 Speaker



1. **Front (FL.SPK.)** : Accepts RCA (MAIN / L.) input plug from Subwoofer speaker's backside, It's front left speaker.
2. **Front (FR.SPK.)** : Accepts RCA (MAIN / R.) input plug from Subwoofer speaker's backside, It's front right speaker.
3. **Center (CEN. SPK.)** : Accepts RCA(CENTER)input plug from subwoofer speaker's backside, It's Center speaker.
4. **Surround(RL. SPK.)** : Accepts RCA(SUR. / L.)input plug from Subwoofer speaker's backside, It's Surround left speaker.
5. **Surround(RR. SPK.)** : Accepts RCA(SUR. / R.)input plug from Subwoofer speaker's backside, It's Surround right speaker.
6. **AC POWER** : Accepts input plug from AC power source.
7. **POWER** : Turns power on/off to the speakers system.
8. **LED** : Displays when speaker is receiving power. When light, speaker is turned on and receiving power.
9. **BALANCE** : For the individual control of volume from left to right speakers .
10. **VOLUME** : Controls speaker's volume level (Satellite and subwoofer).
11. **BASS** : Control for adjusting bass response to speakers and subwoofer.
12. **CENTER** : Control for adjusting Center speakers.
13. **SUR.** : Control for adjusting surround speakers.
14. **MIC VOL.** : Controls Microphone's volume level.
15. **MIC (IN) Jack** : Accepts a 3.5mm stereo mini-plug form microphone. The Microphone has amplify 20db volume.
16. **INPUT (DIN)** : Connects(9 PIN DIN)cable input plug from Dolby decoder box.
17. **MIC (OUT) Jack** : Accepts a 3.5mm stereo mini-plug form audio's microphone out.(option)

Connection Fig



Product Specialist

Speaker :

1-1 Subwoofer :

Output Power (R.M.S) : 20 W

Specifications : 6.5 " Woofer

Load Impedance : 4 Ohms

Power supply : Input AC Source

Magnetically Shield : No

Dimension (WxHxD) : W 190 mm x H 255 mm x D 360 mm

1-2 Satellite :

Output Power (R.M.S) : Center - 5W x 1

Front & Surround - 5W x 4

Specifications : 2.5" Full Range

Load Impedance : 4 Ohms

Frequency Response : 35 Hz ~ 20 KHz

Magnetically Shield : Yes

Dimension (WxHxD) :

Center - W 242 mm x H 80 mm x D 147 mm

Front & Surround - W 83 mm x H 80 mm x D 95 mm

Notice

- 1.Avoid exposing speakers to environments that are excessively warm and humid (particularly in unventilated spaces or nearby heaters) or dusty.
- 2.Do not set speakers near windows exposed to direct sunlight or in areas prone to water seepage.
- 3.Avoid excessive vibration of speakers.
- 4.Clean speaker housing by wiping with mild cleaning solution. Do not use solvents!
- 5.The speakers incorporate an efficient anti-magnetic architecture, permitting use in close proximity to most television screens.If the use of your speakers cause distortions in your television screen colors, try the following:
Turn off and unplug your television, turn on the speaker(s).After waiting 15 to 30 minutes, turn the television on and increase the distance between screen and speakers until distortion disappears. Also, note whether other magnetic emission sources are in the immediate vicinity. If so, relocate so as to prevent screen distortion.
6. "!" WARNING : Before connecting or disconnecting any cables, make sure that the speaker's power button is in the " OFF " position and the power adapter is unplugged from the power source and not receiving power.
- 7.All other brand and product names are trademarks or registered trademarks of their respective holders.
- 8.All specifications subject to change without prior notice.