

TFT Color Display Networking Alarm System

User Guide

1. Introduction

1.1 General Description

TFT Color Display Networking Alarm System is designed for both home and business use and is built on leading microprocessor technology. It is a choice of stability, reliability, security, and user friendliness. It has a built-in siren with super high sound volume of 120 dB that is loud enough as an alert for most noisy environment. The system allows at most 6 groups of phone number set up for calling notification that make sure you will not miss any happening of incident. The LCD on panel displays clear system message and the location of alert, together with the keypad on board. Wireless connecting PIR, door contact, smoke detector, gas detector, panic button etc. Widely used in homes, factories, schools, shops, convenience stores, financial and banking workplace, community center and residential area to provide protection to valuable assets.

1.2 System Features

- Large TFT color display, humanized menu, voice prompt and easy to use.
- Allow up to 99 wireless defense zones and 2 wired zones.
- Each can be defined as one of the 8 zone types including NORMAL, STAY, INTELLIGENT, EMERGENCY, CLOSED, HELP SENIOR, WELCOME and CHIME; And each zone can be realized switch alarm independently. Can realize single defence zone or part of the defence zone to arm.
- Four sets of scheduled arm/disarmed function, each timed arm/disarm you can select the included period of time and different defense zone, eliminating of need of the manual procedure, realizing the beauty of automatic controls.
- The host will automatically rob line to call 6 groups preset telephone number when alarm; not lost number without power.
- Support ISD automatic voice mailbox for playback message upon alert. Maximum length of voice message is 10 seconds.
- Telephone (phone) long-distance telephone control for arming, disarming, monitoring.
- Wireless intelligent study coding, compatible with PT2262 normal encoding and a 1527 encoding, convenient and flexible for adding or reducing accessories. Maximum support 150 remote control and 150 sensors.
- Integrated clock chip, time will not lose without power.
- Unique black box features, display most recent 72 disarmed records and 102

recent alarm recording. Accurately shows the alarm time and zones number.

- Compatible with the international alarm networking protocol CONTACT ID. Can realize alarm network. With alarm dial-up and rob line functions.

2. Anatomy of the TFT Color Display Networking Alarm System

2.1 System Components and Usage

Arm

The system is at a fully ready status where all detectors are activated in a working state, when the some events (burglar, fire, gas leak, etc) happened and detected, , alarm system alarm right away. In a ARM status, LCD screen show "Arming".

To activate using remote control: press [ARM] key once.

To activate using keyboard: on panel keyboard [ARM] keys once.

STAY ARM

This is for partial arming of the alarm system when there are people at home, only some of the selected sensors are activated and could be triggered by events.

In a STAY ARM status, color LCD screen show " Stay arming".

To activate using remote control: press [STAY ARM] key once.

To activate using keyboard: on panel keyboard [ARM] keys twice.

DISARM

All sensors(except the detectors in Emergency and the emergency button on remote control) are deactivated and will not be respond to any events.

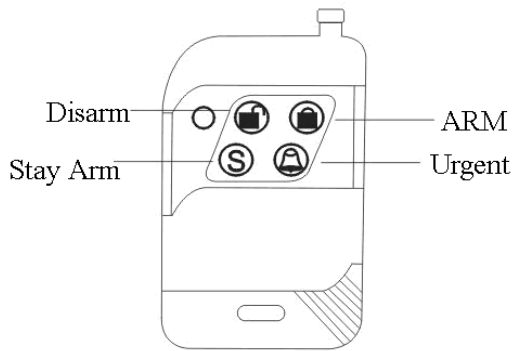
In a DISARM status,color LCD screen show " Disarming ".

To activate using remote control: press [DISARM] key once.

To activate using keyboard: on panel keyboard [DISARM] keys once.

EMERGENCY

When an emergency occurs, press emergency button on the remote or the EMERGENCY button on panel to activate alarm.



Remark:

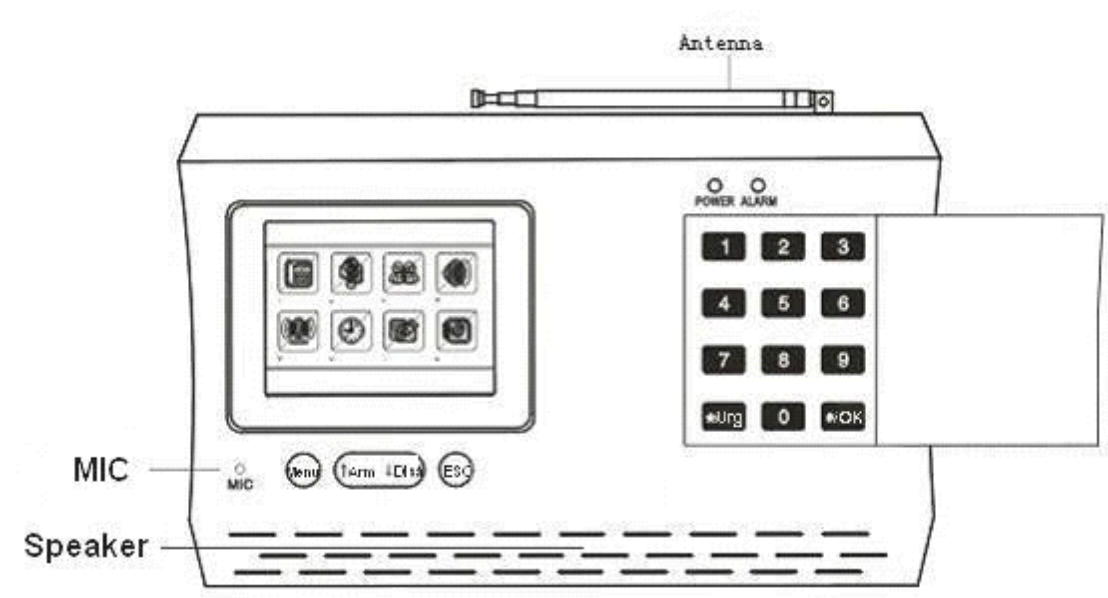
If password on keyboard is enabled, you need to enter password before other operations, the initial password is 1234.

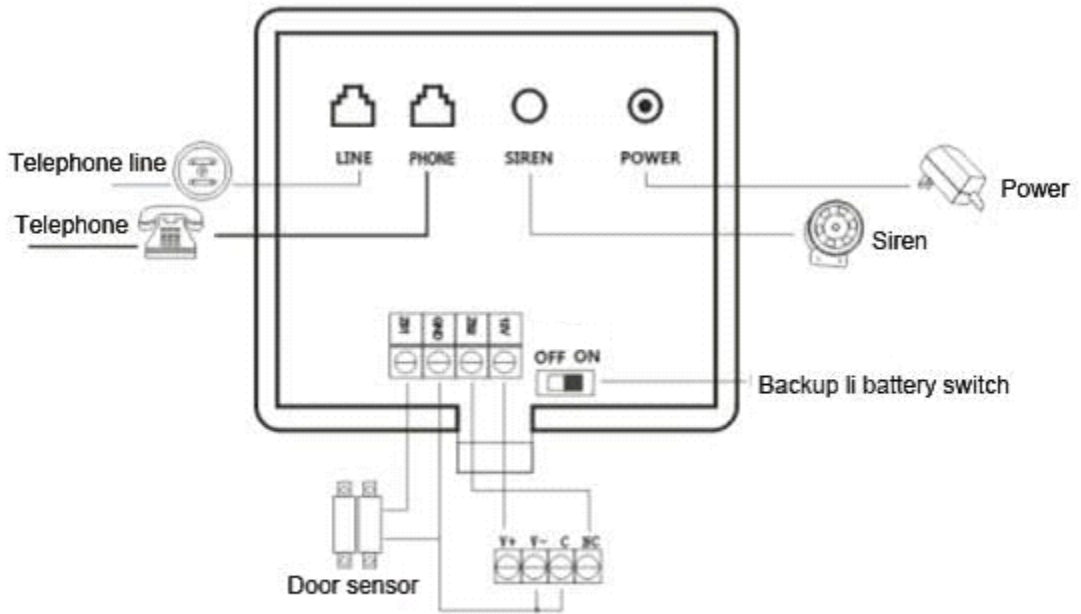
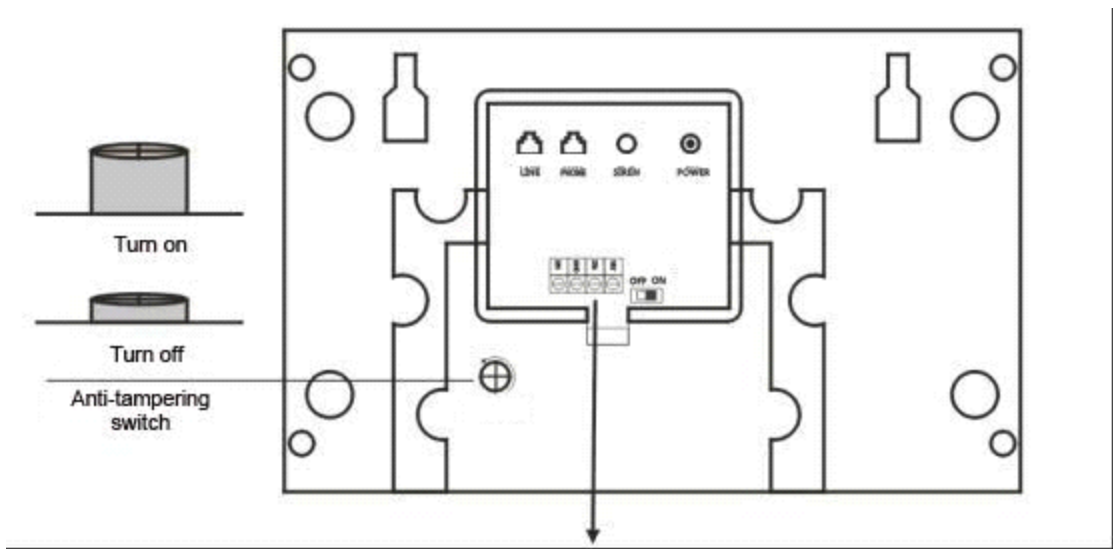
2.2 System Setup

2.2.1 Panel Setup

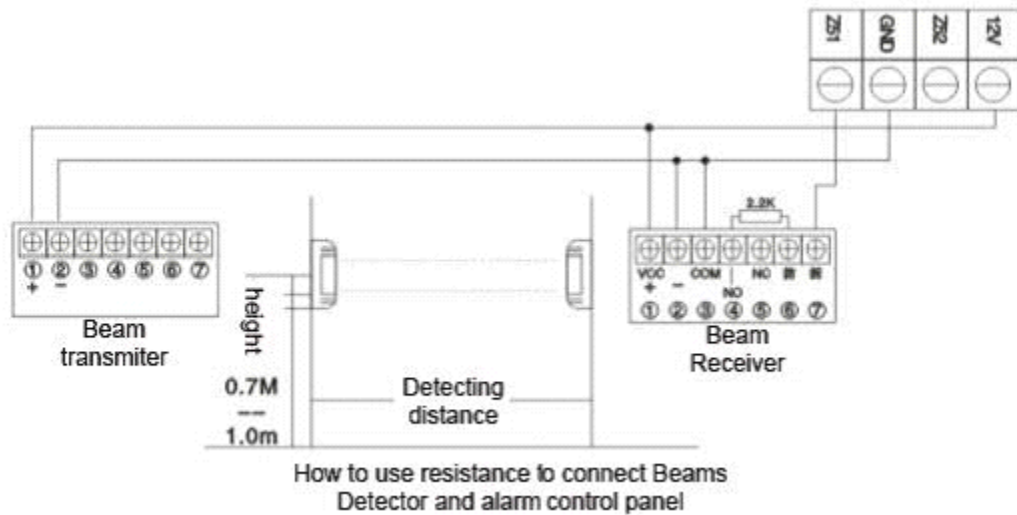
Alarm panel should be installed at a central location with best transmission to all the wireless sensors and accessories. Keep the panel well away from large metal objects or household appliances with high-frequency interference, and avoid barriers such as concrete walls with metal frame inside and fire doors.

Alarm Panel Diagram





How to connect wired NC alarm accessories



2.2.2 Summary of Indicators

Function	Indications	Description
Built-in speaker	short "beep" once	Confirming key signal received
	"beep", "beep" two short tones	Exit configuration or learn succeed
	"beep", "beep", "beep" three short tones	Error indication
	Voice prompt	The function and status of the prompt voice
Power LED	Light up	Panel external power supply is normal
	Is off	External AC blackout internal battery power supply
ARM LED	Light up	The panel is alarming
	Is off	Without alarming
	Flashing	Delay alarm
TFT color display	Show "Disarming"	In DISARM status
	Show "Arming"	In ARM status
	Show "Stay arming"	In STAY ARM status

	Show "xx zone ALARM"	Enter into ALARM status,LCD show the exact zones information
	Show "98 zones ALARM"	EMERGENCY button was pressed
	Show "97 zones ALARM"	The panel was detached or moved,the anti-detach switch alarm

3 Installation of Panel

3.1 Alarm Panel Initial Setup

First connect telecom line to the panel outside interface, the inside interface connect a telephone. Siren plug to the panel siren interface, the live power adapter output end into panel hole. At this time,voice prompt "welcome to use intelligent voice alarm". The power indicator light up.Finally,set the backup battery switch to [ON] state.

Remark: exterior line connect the telephone line from telecommunication bureau. Inside connect telephone. Not interchangeable in case no dialing.

3.2 Setting Alarm Telephone Numbers

The model can support 9 groups of phone numbers. Each phone number shouldn't exceed 31 digits.

If you want to set the first group phone number as 13812345678, do as follow:
 Press **【menu】** to enter main menu.
 Press **【1】** to enter Alarm number settings
 Press **【1】** again to choose alarm numbers ,and then input the number 13812345678 after Group 1 ,then press **【OK】**to save .Press **【ESC】**can back to the menu.The other groups number by such analogy.

Remark : For users who use the telephone line extension,you should dial a number (such as "9") to pick up a dialing tone, then with your command you should add to this number a " * ". So the completed command becomes 9*13812345678#

Note : 7,8,9 group number for HELP SENIOR zone and panel will only dial these three groups number when that specific zone alarming.

3.3 Delete alarm telephone number

If you want to delete the first group alarm number ,please do as follows :

Press **【menu】** to enter main menu.

Press **【1】** to enter Alarm number setting

Press **【1】** again to choose alarm numbers ,and then press MENU to delete the first group number 13812345678 ,then press **【OK】** to save the settings .Press **【ESC】** can back to the menu.The other groups number by such analogy.

3.4 Pre-record Voice Message

Alarm panel will play a pre-recorded voice message after the alarm call when a pre-set phone number upon alarm. To record customized message:

Press **【menu】** to enter main menu.

Press **【4】** to enter message recording, and then press **【1】** to start recording , speak your message to the panel for recording

System will record 10 seconds and then automatically exit; or press **【ESC】** to end recording in advance when in the recording status.

3.5 Add remote control

Press **【menu】** to enter main menu.

Press **【2】** to enter Add accessories

Press **【1】** to enter add remote control ,the menu would be indicate that "type the Number (00~99)",(if add 1st remote control ,please input 01,add 22th remote control ,please input 22),then press**【OK】**to save the settings.Then press any key of the remote control to send a signal to the alarm panel,voice prompt "Set successful" and LCD display "has been saved" means successful.

If beep only once means this remote control has been configured before.Alarm panel can configure up to 150 remote control of different addressing.

3.6 Delete the remote control

Press **【menu】** to enter main menu.

Press **【2】** to enter Add accessories

Press **【3】** to enter Del remote control ,then "type the Number (00~99)",if delete 1st remote control ,please input 01;delete 22th remote control,then input 22,Press **【**】** to delete all remote controls ,later press**【OK】**to delete certain zones remote control or all remote controls.

3.7 Add detector

Press **【menu】** to enter main menu.

Press **【2】** to enter Add accessories

Press **【2】** to enter add detector ,the menu would be indicate that "type the Number (00~99)",if add 1st detector ,please input 01;add 89th ,input 89, later press**【OK】**to save the settings.Then press any key of the detector to send a signal to the alarm panel,Panel beep twice ,voice prompt "Set successful" and LCD display "has been saved" means successful.

If beep only once means this detector has been configured before.Alarm panel can configure up to 150 detectors of different addressing.

3.8 Delete detector

Press **【menu】** to enter main menu.

Press **【2】** to enter Add accessories

Press **【4】** to enter Delete detector ,then "type the Number (00~99)",if delete 1st detector ,please input 01;delete 89th ,input 89,Press **【**】** to delete all detectors ,later press **【OK】** to delete certain zones detector or all detectors.

4. Command Reference

<p>Voice Open and Closed</p>	<p>When remote voice open or closed, 1 for open,2 for closed, system default is open.</p>
<p>Syntax: 【Menu】 > 【3】 > 【3】 > 【1/2】</p>	<p>Example:when press arm/disarm on the remote control,the host horn speech shut down. Press 【Menu】 + 【3】 + 【3】 , then press 【2】 to close the voice.</p>
<p>Remote Control Sound</p>	<p>Press the remote control arm/disarm siren sound open or closed,for 1 means open, zero means close, the system default is open.</p>
<p>Syntax: 【Menu】 > 【3】 > 【4】 > 【00-99】 > 【1/2】</p>	<p>Example: to put the remote control Numbers for 01,press arm/disarm key,siren sound not ring. Press menu first, press 3,then press 4, input 01 then press 【OK】 , then press 2 to shut off.</p>

<p>Enable or disable of the anti-tampering of telephone cord</p> <p>Syntax: 【Menu】 > 【3】 > 【9】 > 【1/0】</p>	<p>Cut the phone cord will trigger the alert. 0 is off and 1 on, system defaults is off.</p> <p>Example: telephone lines have been cut off, request the host siren sound</p> <p>Press menu,then press 3, then press 9, then press 1 to select detection open, then press 【OK】 .</p>
<p>Set length of Siren sound</p> <p>Syntax: 【Menu】 > 【3】 > 【5】 > 【 sound time 00-20 minutes】</p>	<p>Set alarm length of sounding when panel alarm, could be set to 0-20 minutes, factory default is 1 minute.</p> <p>Example: the user need to set up alarm time for five minutes after the alarm</p> <p>Press the menu, then press 3, then press 5;</p> <p>Press menu key twice to delete the original time, then input 05 then press 【OK】 . It was set for 5 minutes.</p>
<p>Set delay for system arm</p> <p>Syntax: 【Menu】 > 【3】 > 【1】 > 【 arm delay time 00-99seconds】</p>	<p>Upon armed from the remote control or alarm panel, the alarm panel is set to delay 0 — 99 before at the ready status of ARM. The system default is 00 seconds.</p> <p>Example: users need to set the delay time for 60 seconds</p> <p>Press menu, then press 3,then press 1;</p> <p>Press menu key twice to delete the original time, then input 60, then press 【OK】 which was set for 60 seconds.</p>
<p>Set the time of delay for alarming</p> <p>Syntax: 【Menu】 > 【3】 > 【1】 > 【 alarm delay time 00-99 seconds】</p>	<p>Set the time of delay upon alarm, it can be set to 0-99 seconds, the system default is 00 seconds.</p> <p>Example: the user need to set alarm delay time for 60 seconds</p> <p>Press the menu, then press 3, then press 1;</p> <p>Then press down key let the cursor moves down,press menu button twice to delete the original time, then input 60, then press 【OK】 which was set for 60 seconds.</p>
<p>Siren volume adjustment</p> <p>Syntax: 【Menu】 > 【3】 > 【5】 >【Siren sound 00-99】</p>	<p>Valid volume is from 00 to 99 as largest, system default is the largest.</p> <p>Example: users need to set volume to 50.</p> <p>Press menu,then press 3,then press 5,then press down key let the cursor moves down;</p> <p>Press menu button twice to delete the original volume, then input 50, then press 【OK】 which was set for 50.</p>
<p>Remote control password</p> <p>Syntax: 【Menu】 > 【3】 > 【2】 > 【 4digits new password】</p>	<p>This password for the user remote operation and keyboard lock password. System default password is 1234.</p> <p>Example: the users need to change the new password for 4321.</p> <p>Press the menu,then press 3, then press 2;</p> <p>Then press menu button four times to delete the original password, then input 4321 and press 【OK】 . The new password is changed to 4321.</p>

<p>Keyboard password protection function</p>	<p>To enable the password protect of keyboard. System default password is 1234, default is off.</p>
<p>Syntax: 【Menu】 > 【3】 > 【2】 > 【 keyboard password 1/0】</p>	<p>Example: the users need to open the keyboard password protection function Press the menu, then press 3, then press 2, and then press down key let the cursor moves down to a New password column, then press 1 means open, then press 【OK】 .</p>
<p>Clock display Power saving mode switch</p>	<p>Used to control the clock display energy saving mode,for 0 means close, for 1 means open. The default is open.</p>
<p>Syntax: 【Menu】 > 【3】 > 【2】 > 【Backlighting switch 1/0】</p>	<p>Open is when the alarm panel is in standby, after the clock display 20 seconds,the alarm panel automatically shut down with color backlight to enter power saving mode. Close is when the alarm panel is in standby, color screen will light on with clock display. Example: the user needs to close the clock display energy saving mode. Press menu, then press 3, then press 2, and then press down key let the cursor moves down to Backlight column, then press 0 means close, then press 【OK】 .</p>
<p>Number of rings</p>	<p>The system default is 8 times. 0 means the remote operation is not allowed and disabled</p>
<p>Syntax: 【Menu】 > 【3】 > 【6】 > 【00-20】</p>	<p>Example: the user needs to set up number of rings before picking up to 6. Press menu,then press 3,then press 6; Then press menu twice to delete the original times,then input 06,press 【OK】 .</p> <p>Example:The users need to close remote control function. Press menu,then press 3,then press 6; Press menu twice to delete the original times,then input 00,then press 【OK】 .</p>
<p>Date and time settings</p>	<p>Set the system date and time</p>
<p>Syntax: 【Menu】 > 【6】 > 【date and time】</p>	<p>Example: the time now for 09:00 on 1st May,2012. Press the menu, then press 6, input 2012-05-01 09:00:00 then press 【OK】 . The weeks no need to input, the system will automatically calculated.</p>
<p>Scheduled Arm/Disarm</p>	<p>Scheduled Arm/disarm to the alarm panel, alarm panel into the arm/disarm status in the set time, can be set four groups</p>

<p>Syntax: 【 Menu 】 > 【 3 】 > 【 7 】 > 【 01-04 】 > 【 Arm/disarm time and weeks selection and the scheduled time/ week to open or closed 】</p>	<p>arm/disarm time. And defense zones and weeks can be selected. And can choose the group scheduled Arm/disarm with open or closed.</p> <p>Example: the user need from Monday to Friday, alarm system into arm state at 23:00, the arm defence zone is set to 1-50 defense zone, 07:00 into the disarm state.</p> <p>Press menu, then press 3, then press 7, then press 01, then press 【OK】 ;</p> <p>Press the menu button four times to delete the original arm time, input 23:00, then press down key;</p> <p>Press the menu button four times to delete the original disarm time, input 07:00, then press down key;</p> <p>Press the menu button twice to delete Saturday and Sunday, then press down key;</p> <p>Press 1 to choose scheduled open, then press 【OK】 .</p>
<p>Restore factory settings</p> <p>Syntax: 【 Menu 】 > 【 3 】 > 【 0 】</p>	<p>The system restore the factory Settings (this function will restore all set to factory Settings: eliminate all of the telephone number, no break detection, remote alarm sound when open,the system will automatic answer after rang the bell eight times.When Alarm siren sound time for 1 minute. Password recovery for 1234, remote control and detector unchanged, speech function open)</p>
<p>Total System Reset</p> <p>Syntax: Press and hold the menu key to power on.</p>	<p>Under the condition of the customer forgot password, can only use the method of Total System Reset to the factory state.</p> <p>First break the power source of alarm panel, and then hold the "menu key" to electricity. The panel will keep buzzer, five seconds to loosen the menu key. At this time restore to empty state, the password is1234, and delete all the remote control and detectors.</p>

1. Defence zones of related parameter Settings:

<p>Single defence zone networking events code</p>	<p>Used for setting 0-99 defence zone sending networking events code (101-631) when connecting alarm with networking center, the system default 0-99 defence zones are sending the burglar alarm (130) information, the meaning of events code are as follow:</p> <p>100 means medical aid 110 means fire alarm 121 means robber alarm 122 means mute robbery alarm 130 means burglar alarm</p>
<p>Syntax: 【 Menu 】 > 【 5 】 > 【 defence zones 00-99 】 > 【 event code 101-631 】</p>	

	<p>131 means peripheral burglar alarm 151 means gas alarm</p> <p>Example: set the second defence zone alarm and center networking sending medical aid information. Press the menu, then press 5, input 02, then press 【OK】 ; Press the menu button three times to delete the original event code, then input100, then press 【OK】 . Remark:if the alarm panel is not connected with the alarm center,then no need to set this.</p>
<p>Whether defence zone alarm siren</p> <p>Syntax: 【 Menu 】 > 【 5 】 > 【 defence zones 00-99】 > 【alarm siren 1/0】</p>	<p>Used for setting 0-99 defence zone alarm, the sirens need or not. Can set ring or not ring, 1 for ring, zero for not ring. The system default is 1.</p> <p>Example:set the second defence zone alarm, the alarm panel will dial-up, but no siren ringing. Press the menu, then press 5, input 02, then press 【OK】 , press down key let the cursor moves down to siren; Then press 0, screen display "off", then press 【OK】 .</p>
<p>Defence Zone Types</p> <p>Syntax: 【 Menu 】 > 【 5 】 > 【 defence zones 00-99】 > 【zones type 1-8】</p>	<p>To set 99 zone types, 00-99 represents 0-99 zone numbers, 1-8 represents one of the 8 zone types:</p> <ol style="list-style-type: none"> 1. NORMAL 2. STAY ARM 3. INTELLIGENT 4. EMERGENCY 5. CLOSED 6. CHIME 7. WELCOME 8. HELP SENIOR <p>Example: set the second defence zone for the stay arm zone. Press menu,then press 5, input 02,then press 【OK】 ; Press down key let the cursor moves down to zone types; Then press 2, screen display "STAY ARM", then press 【OK】 .</p> <p>Remark: About zone types details,please refer to the Definitions of Zones instruction in this manual.</p>
<p>Set mode of wired alarm zone</p>	<p>Set wired alarm zone to NO, NC or EOL. The zone number of 51-52 are wired defense zones, system default is 51-52 are wired</p>

<p>Syntax: 【 51 】 + 【 wired zones 51-52 】 + 【 0/1/2 】 + 【 # 】</p>	<p>zones with NO mode. 0 means NO, 1 means NC,2 means EOL NO means short-circuit to alarm NC means open-circuit to alarm EOL means end of line to alarm Example: Set 51 zone to NC Press menu,then press5,input 51,then press 【OK】 , press down key let the cursor moves down to Wired mode,then press 1, screen display NC,then press 【OK】 .</p> <p>Remark: 1)when set 51 defence zone to be NO,in arm status,it will alarm from NC to NO between Z51 and GND; 2)when set 51 defence zone to be NC,in arm status,it will alarm from NO to NC between Z51 and GND;Generally connecting with two ends of ALARM of wired PIR detector.Or wired magnetic door,infrared beams,wired accessories of NC alarm. 3)When set 51 defence zone to be EOL,there is a 2.2K resistance between Z51 and GND,the alarm panel will prompt 51 defence zones alarm when in NO or NC between Z1 and GND,used to strict engineering occasions.</p>
<p>Sub-zone dial</p> <p>Syntax: 【 Menu 】 > 【 5 】 > 【 defence zones 00-99 】 > 【 Points defense zone dial-up 123456 】</p>	<p>System default is 00-99 defense zone, all will make call from the first to the sixth group phone number upon alarming.</p> <p>Example One: when setting 2 defence zone alarm, dial Numbers of 123. Press menu, then press 5, input 02, then press【OK】,then press down key let the cursor moves down to sub-zone dial; Press the menu three times to delete 456, then press 【OK】 .</p> <p>Example Two: set 3 defence zone alarm only dial Numbers of 5. Press the menu, then press 5, input 03, then press 【OK】 , then press down key let the cursor moves down to sub-zone dial; Press the menu six times to delete original numbers and then input 5 then press 【OK】 .</p>

2. The related settings with alert-receiving center networking:

<p>Center alarm numbers</p> <p>Syntax: 【 Menu 】 > 【 1 】 > 【 2 】 > 【 center alarm numbers 】</p>	<p>Used to set the alarm panel and the alarm center networking, alarm receiving center of the number. If not connect with alarm receiving center,please don't set the two groups of number.</p> <p>Example: Set Networking center number for 233880065 Press menu, then press1, then press 2 【 center alarm numbers 】 , input 23840065 behind Group 1,then press 【OK】 . Means the first group networking center alarm number has been set for 23880065.</p>
--	---

	<p>Remark: if the alarm panel is not connect with the alarm receiving center, no need to set this.</p>
<p>The related parameter with alarm receiving center networking</p> <p>Syntax: 【Menu】 > 【3】 > 【8】 > 【relevant parameter】</p>	<p>Used to set the alarm panel with alarm center networking. Set CID user code, arm/disarm information is sending or not, open or close of the timing self-test. The setting of self-test time, to choose which several weeks when timing self-test information sending.</p> <p>Example: User code: (0000-9999) 0000 Arm/disarm send: (0-3) :No send Self-test (0-2) : Disable Self-test time1: 08:00 Self-test time2:18:00 Self-test week: 1234567 Means CID user code is 0000, can move the cursor to change, change range is (0000-9999).</p> <p>Arm/disarm send with four options: 0 for no send, 1 for only arm send, 2 for only disarm send, 3 for arm/disarm send. The self-test setting means the panel will link with the alarm center once for certain time, to check the panel and alarm receiving center normally communication. Self-test settings (0-2), 0 means self-test disable, namely the panel is not timing communication with the center, 1: self-test time1, means with the alarm panel timing communication according to self-test time 1 (08:00), 2: self-test time2, means with the alarm panel timing communication according to self-test time 1 (08:00) and self-test time 2 (18:00) . Self-test week means with alarm panel communication on number of weeks, 1234567 means with alarm panel communication from Monday to Sunday, 23 means alarm panel and with the alarm receiving center timing communication just Tuesday and Wednesday. Time 08:00 and 18:00 can be modified according to the customer's requirement. Remark: if the alarm panel is not connect with the alarm receiving center, then no need to set this.</p>

3. Commands of System Query

Query the alarm panel arm/disarm records	Used to query the alarm panel arm/disarm records, system will keep recently article 72 pieces arm/disarm records.
Syntax: 【Menu】 > 【7】 > 【2】 > 【up key and down key query】	Press menu then press 7, then press 2, press up key to check last one, press down key to check next one. Example: Article 001 record Date: 05-02 Time: 00:30 The system state: 01 remote control disarm Means on 0:30 a.m May 2nd., 01 remote control disarm.
Query the alarm panel alarm records	Used to query the alarm panel alarm records, system will keep recently article 102 pieces alarm records.
Syntax: 【Menu】 > 【7】 > 【1】 > 【up key and down key query】	Press menu then press 7, then press 1, press up key to check last one, press down key to check next one. Example: Article 001 record Alarm date:05-03 Alarm time: 21:30 Alarm defence zone: 01 Defence zone type:NORMAL Means on 7:30 p.m May 3rd happened 1 defence zone alarm. 1 defence zone type is NORMAL defense zone.

5 Remote Control of Panel

5.1 After receiving the Panel Alert

After Panel alerts, it will automatically dial the preset telephone number for three times until connected. When the user picks up the phone, a piece of pre-recorded voice message will be played back immediately and let the receiver noted about the event. Upon receiving the call, it can also control the alarm panel remotely via the phone (according to the command below). User will not be asked for password upon connected and alarm will automatically hang up call within receiving any instruction within 20 seconds.

[1]: arming	[2]: disarming
[3]: monitoring open	[4]: monitoring closed
[7]: siren on	[8]: siren off

[*] key: exit and hang up, the system will not dial the next group receive-alarm number. If not press "*" or "2", the system will continue to dial next group numbers.
 Remark: monitoring time for 20 seconds,if need to continue,please press"3"key within 20 seconds.

5.2 Remote Dialing In Operation

Remote-control operations can be done via any phone. You can just dial into the alarm panel and user will be asked for password upon connected and alarm will automatically hang up call within receiving any instruction within 20 seconds or password is incorrect. (original password 1234)

[1]: arming	[2]: disarming
[3]: monitoring open	[4]: monitoring closed
[7]: siren on	[8]: siren off
[*]: Exit and Hang up	

6 Types of Alarm Zone

6.1 Definitions of Zones

The alarm supports 99 Wireless defense zones and each zone can be classified into 8 Zone Types with their respective characteristics.

Type ID	Zone Type	Interpretation
1	NORMAL Defense Zone	The Panel only works on the arming status. When disarming, there is no response.
2	STAY Defense zone (AT-HOME Defense zone)	Can be shut off solely through the remote control (Keypad) to avoid the Infrared Detectors and other in-room detectors from misinformation when master is resting at home.
3	INTELLIGENT Defense zone:	If the detector in the Defense zone is triggered only once, it will not immediately alarm. But if being triggered once again within 30 seconds after the first triggering, it will not alarm immediately.
4	EMERGENCY Defense zone:	No matter on arming or disarming status, if detector is triggered it will alert. Usually used in connecting with Smoke Detectors, Gas Detectors and emergency

		button, etc.
5	CLOSED Defense zone:	No matter arming or disarming status, detectors will not alert even being triggered.
6	CHIME Zone	No matter in what status, when sensor with this zone is triggered, a welcome door bell will be ring as notification.
7	WELCOME Zone	On disarming status, when sensor with this zone is triggered, a welcome voice message will be played.
8	HELP SENIOR Defense Zone	This type of zone is for elderly safety, no matter in what status, the panel will alarm once sensor with this zone type is triggered.

6.2 System default zone types are:

Normal	Stay	Intelligent	Help Senior	Chime	Welcome	Emergency
01-59	60-79	80-89	90	91	92	93-99

6.3 Other System Default

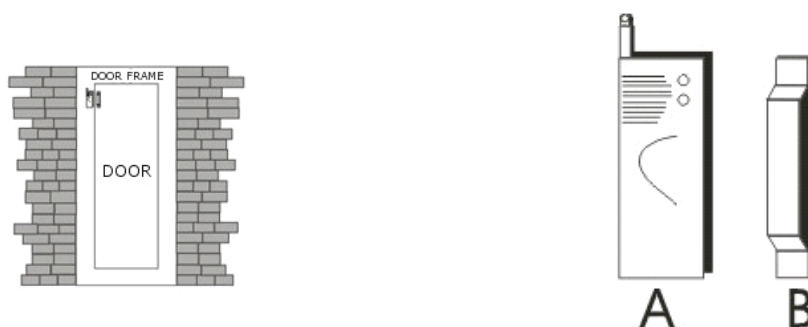
Operation password	1234
Remote Control	Enable
Telephone Line Anti-tampering	Disable
Siren Sound	1 minute
Delay ARM	No
51-52 wired zones	Normal Open
Integrated Alarming	Enable
Number of rings before picking up	8 rings
Audible confirmation for remote operation	Enable
Delay alarming	Disable
1-99 Zone alarm	Siren sound enable

6.4 Fitting parameters:

- Input voltage: DC9V-12V
- Standby currents: < 20 m A
- Alarm current: < 450 m A
 - Wireless frequency: 315/433/868/915MHZ , 2262/1.5-4.7M , EV1527/300K
 - Backup battery: NI-HI AAA*6 DC7.2V
 - Alarm loudness: 110dB
- Accessories parameters: The alarm should be compatible with PT2262, PT2240 and EV1527. Using PT2262 encoding, the resistance is recommended 1.5M-4.7M; using with EV1527 encoding, the resistance by 300K, data recommended 1010.

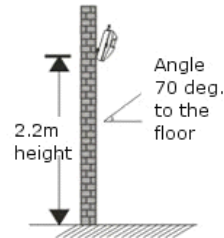
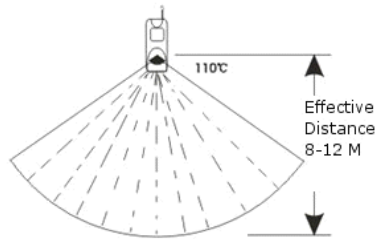
7 Guideline of Installation Sensors

7. 1 Guideline for Installing Door or Window Sensor



1. The surface for door sensor installation should be clean so door sensor can be attached to the door and frame firmly with double faced adhesive.
2. Each door sensor is a pair of sensor and magnet. The sensor (A as in diagram) should be installed on the fixed door frame and the magnet (B as in diagram) should be placed on the movable door with a distance not exceeding 1 cm.
3. Upon installed, door sensor should be tested by open the door and check if the indicator on door sensor flashes for 1 second.
4. In case the door sensor is running out of battery, the indicator should be kept lit as a low-voltage notification.

7.2 Guideline for Installing PIR Motion Sensor



1. Before use, make sure the power switch of PIR motion sensors is at the ON position.
2. Installation height is about 2.2 meters above ground and the optimized detection angle for most motion sensor is 90 degree. The sensor should face the detected area with this consideration for best coverage. It is advised to install with the face of motion sensor perpendicular to the most probable moving detection of people for the highest effective detection.
3. Within coverage of detection, there should be no any objects for obstruction.
4. There should be no two infrared detectors in the same as they will possibly intervene with each other.
5. Avoid the detector facing window, cooling or warming machines, or other appliances that cause the temperature changing sharply and thus cause false alarm.
6. Most infra-red detector needs about 5 minutes to heat up before READY for normal operation.
7. Regular PIR motion sensor is for indoor use unless the specification stated otherwise.

Unless specifies otherwise, most infra-red detector are indoor use and not reliable to use outdoor.

8. Troubleshooting

Problem	Diagnosis	Available Solutions
1. cannot dial for alarm	<ul style="list-style-type: none"> • no arming • alerting phone unsettled • parts improperly installed e.g. sensors installed too far away • code no match 	<ul style="list-style-type: none"> • do arming operation • re-set according to the specification • coordinating the location of parts • re-coding

2. cannot long-distance operation	<ul style="list-style-type: none"> • password input wrongly 	<ul style="list-style-type: none"> • Retype Password or reset password
3. no record indication when alerting	<ul style="list-style-type: none"> • voice message not recorded 	<ul style="list-style-type: none"> • record voice message
4. remote control (keyboard) out of order	<ul style="list-style-type: none"> • coding un-matched with the Panel • insufficient battery power or battery contact no good • battery pieces poor contact or voltage un-matched with Panel 	<ul style="list-style-type: none"> • re-learn the remote control • change battery to correct type • polish the surface of contact of battery • contact the local dealer to change the matched remote control (keyfob)
5. infrared detector out of order	<ul style="list-style-type: none"> • low power 	<ul style="list-style-type: none"> • change to the same type battery
6. Beam detector out of order	<ul style="list-style-type: none"> • Check power supply • Check if cables short circuit. • Check beam detector alignment 	<ul style="list-style-type: none"> • Replaced with a working power adapter • Re-cabing for perfect contact • Make sure pair of sensors aligned by observing the indicators.
7. siren without sound	<ul style="list-style-type: none"> • siren plug or jack in short circuit or broken-line • siren out of order • closed siren by command • positive and ground wires of siren reversed 	<ul style="list-style-type: none"> • repair or change plug or jack or change the jack line • use another siren to double check • activate siren by command • reverse the wires to try adjust a longer length of siren sounding
8. the distance for host to receive the infrared detector, door status switch and remote controller is shortened	<ul style="list-style-type: none"> • a nearby emitter is sending code • Panel receiver stoppage • standby battery of the Panel insufficient 	<ul style="list-style-type: none"> • move one detector next to panel and try • identify the interfering source and eliminate it • check Panel power whether plugged well
9. Consistently alarm once power open	<ul style="list-style-type: none"> • Phone cord is not connected but the phone alert function is enabled 	<ul style="list-style-type: none"> • Either disable the phone alert function or connect the phone cord