

# User Guide



IP 20



3 W

**CUBE LIGHT 50**



# CONTENTS

---

1. ITEMS INCLUDED.....	2
2. INTRODUCTION.....	3
3. SPECIFICATION.....	4
4. INSTALLATION & WIRING DIAGRAM.....	5
5. WARNING.....	6
6. OPERATION.....	7
7. ORDER INFORMATION.....	9

## ITEMS INCLUDED

Please make sure the below items included when unpacking. If there is anything missing, please contact with your local dealer immediately.

**CUBE LIGHT 50**



**Hanging bracket (1pc.)**



**Ring (1 pc.)**



**Screw(2pcs.)**



**Washer (2pcs.)**

# INTRODUCTION



Cube Light 50 (CP-50) is an innovative LED color washing fixture enclosed in a compact cubic housing.

12 high power multi-color (R.G.B.) LEDs are utilized to create smooth and gorgeous colors. 20 built-in fixed colors and 9 built-in fading effects are included in the sophisticated onboard control power system which brings designers a creative platform without additional DMX consoles.

Large scale of operations can be easily achieved through the synchronization function with the master-slave mechanism equipped in every CP-50. The feature-rich CP-50 is aimed for professional projects in entertainment and architectural lighting, such as stage, theater, museum, and etc. First grade aluminum housing is chosen to promise durability demanded in such venues.

## Features:

1. Consists of 12 numbers of 3W RGB in 1 high power LEDs.
2. With built-in power and DMX driver for easier wiring and installation.
3. Operate with DMX512 system, 20 solid colors and 9 color changing effects.
4. Master/Slave mode suits for large event.
5. Suitable in lots of entertainment application such as stage, theatre and museum...etc.

# SPECIFICATION

## ELECTRICAL

Power Requirement: 100-240VAC, 50~60Hz

Power Consumption:  $55 \pm 10\%$ W max at full intensity

## SOURCE & OPTICS

LEDs: 12 x 3W RGB in 1

Luminous Flux (Lm):  $1058 \pm 2.5\%$

Efficacy (Lm/W):  $\approx 19$

Beam Angle:  $35^\circ$

Fixture Warranty: 2 Years

Protocol: USITT DMX 512-A

DMX Cable Connector: 3-pin XLR

AC Cable Connector: AC Power Cord

## ENVIRONMENT

Temperature Range:  $-10^\circ\text{C} \sim 40^\circ\text{C}$

## HOUSING

Weight:  $\approx 3$  kg

Dimension (mm): L270 × W120 × H120

Color: Black

Lens: Optical Grade PMMA

Material: Metal

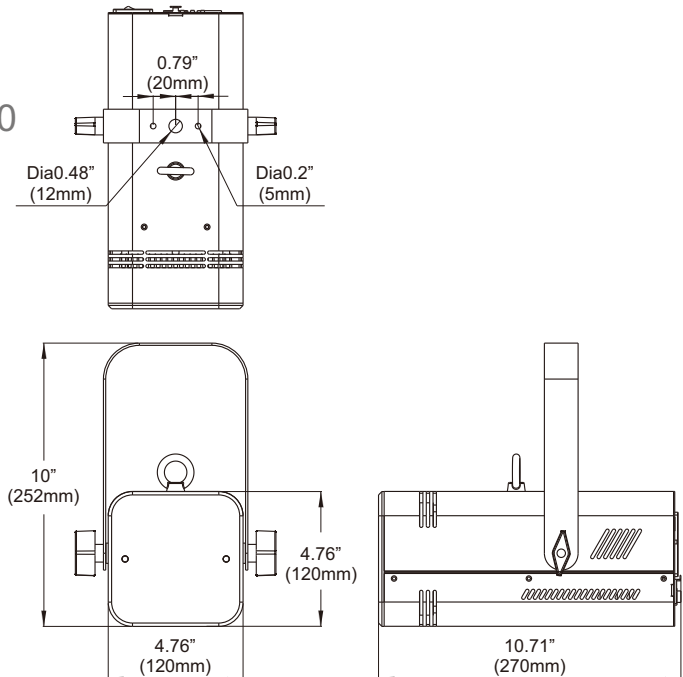
IP Rating: IP 20

Accessories: Hanging bracket

Driver: ORBIT-TP

## LISTING

Certifications: CE / RoHS / WEEE



### Remark:

Life Time based on LED manufacturers' test data. LED manufacturers predict LED life of up to 100,000 hours MTBF (mean time between failure). Consideration for determining useful life, in addition to MTBF, useful life affected by numerous environmental conditions such as ambient temperature, humidity and ventilation. LED will have long life performance when used under normal operating conditions [ambient temperature:  $-4^\circ\text{F}$  to  $104^\circ\text{F}$  ( $-20^\circ\text{C}$  to  $40^\circ\text{C}$ ), humidity: 0-95% non-condensing humidity, adequate ventilation and air volume] and when operated using typical color-changing effects.

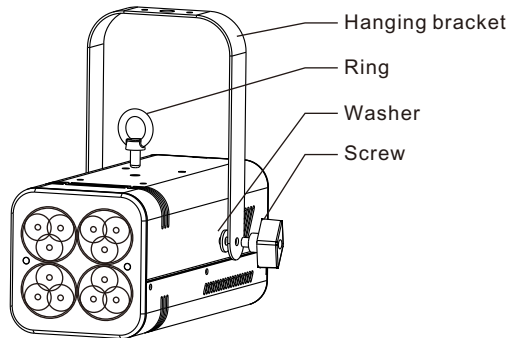
# INSTALLATION & WIRING DIAGRAM

## INSTALLATION

### CAUTION:

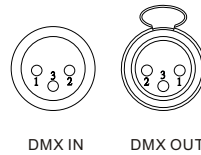
Do not hot swap. Ensure that power to the fixture is off before connecting or disconnecting fixtures.

1. Unplug from the mains before installation
2. Fix the fixture with bracket
3. Put the electronic plug into the socket

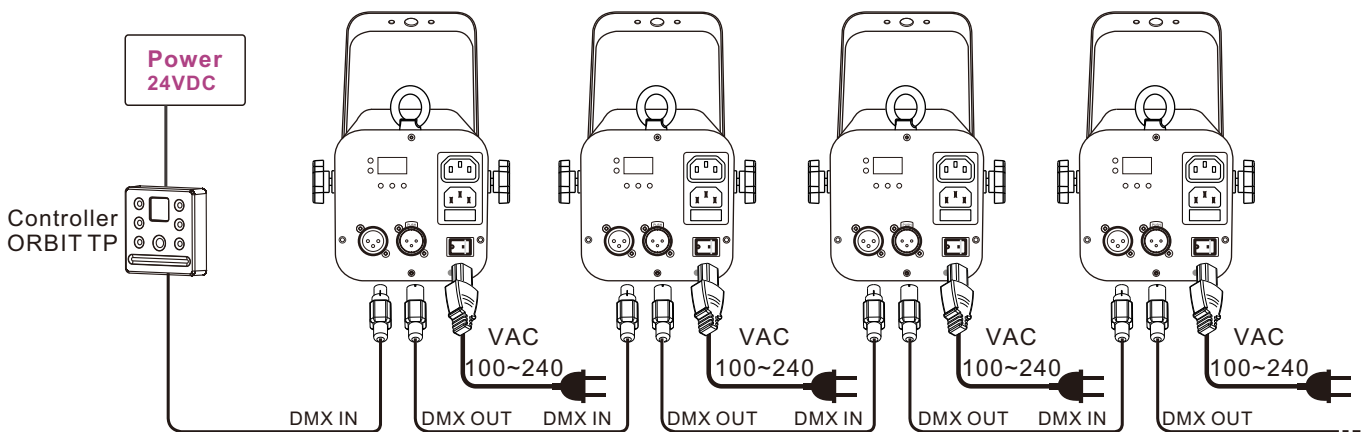


## WIRING DIAGRAM

3-PIN XLR · IP-20 DMX Connector



PIN NO.	DESCRIPTION
1	GND
2	D-
3	D+



### NOTICE:

1. The warranty will be invalid when the fixture is not under normal usage (including trimming the cable and do wiring by user). Please contact with your sales representative for the detailed information if the trimming will be happen.

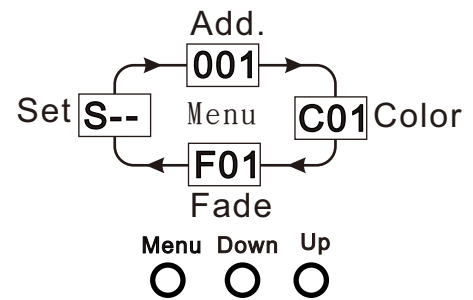
# OPERATION

**Attention: It is important to read this manual before you install or use this product.**

1. Turn on / off the power

2. Fixed Color (20 colors):

There are 20 built-in fixed colors in the device. Press **Menu**, the display will show "C--" on the display. Then the user can press **Down** or **Up** to select the desired color from C01~C20.



3. Fade Effect ( 9 colors):

There are 9 built-in fade programs in the device. Press **Menu**, the display will show "F--" on the display.

Then the user can press **Down** or **Up** to select the desired fade program from F01~F09.

The fade time of the effect can be changed from 01~99% (0.5~50 sec).

e.g. F03 is running, the fade time can be changed by pressing **Menu** and **Hold** for 5 seconds. The display will show "S--" on the display.

The fade time can be adjusted from 01 to 99% by pressing **Down** and **Up**, and confirm the adjustment by pressing **Menu**.

4. DMX Address Setting:

Press **Menu** and the display shows the initial DMX address "001". The user can select the desired address from 001~512 by pressing **Down** or **Up**.

DMX No.	Mode
S10	Control all of LED fixtures in the same channel (default)
S11	Control all of LED fixtures independently
S20	Master off (default)
S21	Master on
S30	RGB 3 channels (default)
S31	RGB dimming, strobe 5 channels
S40	Delay off (default)
S41	Delay on

**Note:**

The function of delay on is designed for running slow, and free-flicker program.

The response speed of LEDs is slower than normal. All drivers must be set on the same mode (delay on or off) as connecting together, otherwise, the program does not run synchronously.

The slave drivers must be set add. 001 when running Master / Slave function.

# WARNING

**Read the instructions carefully before you install or power the device!**



## **CAUTION!**

Be careful with your operations.

You can suffer a dangerous electric shock when touch the wires inside the unit.

## 1. Safety Instructions

Every person involved with installation and maintenance of the this device has to :  
-be qualified.

-following the instructions of manual

Please make sure that there are no obvious transport damages.

Please immediately contact the local dealers as the device is in fault operation or damage.

Damages caused by the disregard of this user manual or unauthorized modification to products are not subject to warranty.

## **Important**

Keep this driver away from rain and moisture.

Unplug mains lead before opening the housing.

Make sure the plug is tightly connected with outlet.

Make sure all connector are connected properly.

Make sure the AC power that complies with local electrical codes.

Do not expose the device to heat source, corrosive, flammable or explosive area.

Do not block any of ventilation openings.

Do not open the device and try to repair the device personally.

## 2. Operation Determinations

The device must only be used indoor.



## **CAUTION!**

For non-Colorbeam fixtures, refer to the wiring diagram for installation.

If the device has been exposed to drastic temperature fluctuation, do not switch it on immediately. The arising condensation water might damage your device. Leave the device switched off until it has reached room temperature.

Only operate the device after having checked the housing which is firmly closed and all screws are tightly fastened. Do not shake the device. Avoid brute force when installing or operating the device.

Operate the device only after having familiarized with its functions. Do not permit operation by persons who are not qualified for operating the device. Most damages are the result of unprofessional operation!

The maximum ambient temperature 40 degree must never be exceeded.

Please consider that unauthorized modifications on the device are forbidden due to safety reasons!



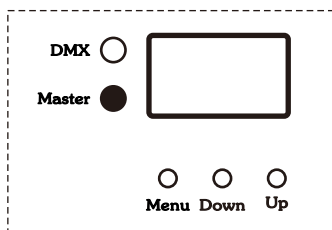
# OPERATION

## 5. DMX Mode Setting:

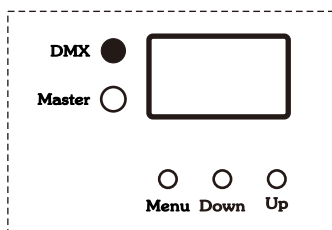
The following mode can be selected by pressing **Menu** to confirm it. Press **Menu** first and the display shows "S--". And press **Down** or **Up** to select the desired program from S10~S41.

## 6. Signal Indicator:

**(1) Receive Master Signal:** The green light shows when the lighting fixture has been set as **Master**.



**(2) Receive DMX Signal:** The green light shows when the lighting fixture is receiving DMX Signal.



## 7. Sleeping Mode:

The control unit will go into **Sleeping Mode** automatically in the event of no instruction from the keypad after 30 sec. Under Sleeping Mode, the control unit is functional but the display is off and the keypad is locked. To leave the Sleeping Mode, the user can press **Menu** and hold for 5 sec. till the display is on. When using the DMX Address to control the lighting fixture, the Sleeping Mode will start after 30 sec. Press **Menu** and hold for 5 sec. to leave the Sleeping Mode.

# ORDER INFORMATION

## ORDER INFORMATION

LIGHT				
ITEM	HOUSING COLOR	LEDs	BEAM ANGLE	PART NUMBER
CP-50	Black	12 x 3W RGB in 1	35°	GORL231BF351
Driver/Controller				
ITEM	SPEC.		PART NUMBER	
ORBIT-TP	Controller		GOBC0111	

**COLORBEAM CO. LTD.**

314, 3F., No. 87, Minguang E. Rd.,

Taoyuan City, Taiwan 33052

TEL : +886 3 335 7716

FAX : +886 3 331 3386

E-MAIL : [sales@colorbeam.com](mailto:sales@colorbeam.com)

W : [www.colorbeam.com](http://www.colorbeam.com)

---