



500 W

AirMaid[®]

AirMaid[®] 500 W Ozone Generator User Manual



AIRMAID[®] OZONE CLEANING SYSTEM

INNOVATIVE AIR TREATMENT

WARNINGS AND SAFETY NOTICES

General Information

The device may not be used by children or by persons with diminished physical, sensory or mental capacity or lack of experience and knowledge unless supervised or having received instruction. Supervise children to ensure that they do not play with the device.

This manual contains important information about instructions and safety concerning AirMaid® ozone generator (hereinafter referred to as the generator). Read this manual carefully before installation, commissioning or performing service and maintenance on the generator.

The generator is intended only for ozone treatment of air in accordance with the instructions in this manual.

The generator uses high voltage to create an electric discharge which generates ozone (O₃). Ozone significantly reduces odours, mould and bacteria. Interzon AB disclaims any liability if the product is not used according to the manufacturer's instructions in this manual.

Never clean the generator with chemical cleaning agents. Water or liquid shall not be sprayed onto or inside the generator. The cleaning of the ozone cell (CGC) shall be done while following the instructions in this manual.

Troubleshooting and Service Information

1. The user can troubleshoot the generator by following the steps and procedures described in the system test section in this manual. If the user needs to have the generator serviced, the user shall contact the closest authorised service partner or Interzon's technical support.
2. All repairs on the generator must be performed by a service partner authorised by Interzon AB.



The power supply to the generator must be cut off before any service or maintenance. Make sure that all parts have been installed before you turn on the generator again.



Use a ladder or a stable work platform when installing or servicing the generator if the installation or service must be done at a height.



The generator produces ozone. If the generator is used by persons who have not read this manual, there is a risk of injury such as eye or lung irritation. Always follow local regulations and the recommendations of government organisations that inspect the regulations or the work environment.



This user manual describes a standard AirMaid® 500 W ozone generator installation. The installation can vary depending on local rules and regulations relating to building materials, ventilation systems or the layout of the building/room. Deviations are possible but always consult the manufacturer before such installation.

PRODUCT WARRANTY

LIMITED WARRANTY FOR INTERZON'S EQUIPMENT

This warranty is subject to the following terms:

A new product is guaranteed to be free from defects and/or workmanship a period of 2 years from the original purchase date.

The warranty of a new product covers repair or replacement of the damaged part as well as the delivery of the product to the customer.

A spare part is guaranteed to be free from defects and/or workmanship for a period of ninety (90) days from the original installation date.

The spare part warranty covers only repair or exchange of damaged part and does not extend over labour costs for removing or installing the part, trips or any other costs in connection with the repair or replacement of the part.

The installation of the product must be carried out according to the installation instructions described in this manual.

Circumstances that can make the warranty null and void:

1. If a foreign object such as water or cleaning agent has been sprayed on or into the generator;
2. Generator overheating as a result of a blocked inlet or outlet;
3. If the regular generator maintenance has not been performed as described in this manual;
4. If the generator has not been installed according to the instructions in this manual.

A complaint must be filed with the reseller or the manufacturer. No compensation will be granted for repairs carried out by a third party without Interzon's consent. In case of damage during transport, please inform the sender immediately in order to file a complaint.

The limited warranty above does not cover damages caused by accidents, product modifications or incorrect use and does not apply if the serial number has been removed or tampered with.

CONTENTS

1. Check the Product
2. System Overview
3. Installation Guidelines
4. Electrical Connection
5. System Test
6. Service and Maintenance
7. Technical Specification

1. CHECK THE PRODUCT

Make sure that all ordered products have been delivered and that there are no visible damages. Any deviations shall always be reported to the dealer or the manufacturer. Please read the entire user manual before beginning the installation.



1x 500 W
AirMaid® Ozone Generator



1 X User manual
500 W



Lockable wall mounting
bracket (Optional)



Flange Ø100 mm
(Optional)

2. SYSTEM OVERVIEW

Below you can find some example applications of AirMaid® 500 W Ozone Generator.



AirMaid® W in waste rooms



AirMaid® W in the cabin

You can also use AirMaid® 500 W in the following applications:

Offices

Environmental stations

Kitchens

Cellars

Smoke rooms

Attics

Apartments

Hotel rooms and cabins

Cars

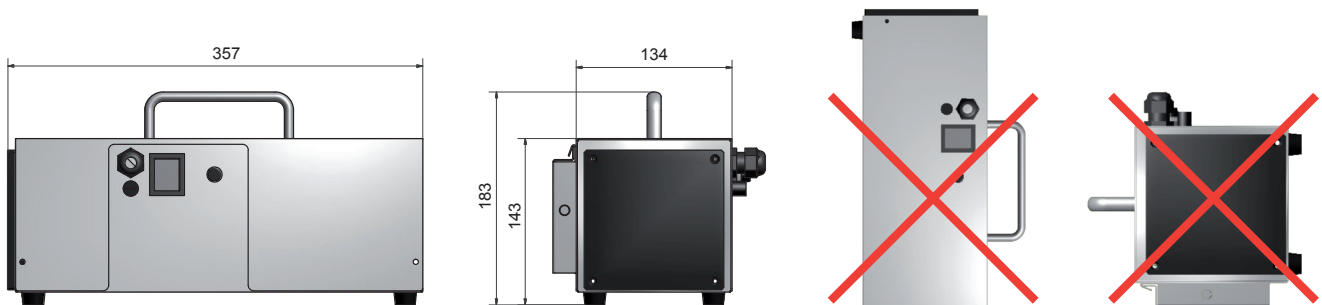
3. INSTALLATION GUIDELINES

It is important to remember that the ambient temperature may not exceed 40°C. Make sure that the inlet air is as clean as possible to minimise the service intervals. The generator must be placed at a high location, close to fresh air inlet if such is available. The generator must be installed according to illustration 1.

1. The generator must be placed on a level surface, preferably at 2 metres above the floor. This is so because ozone is heavier than air and spreads better in the room that has to be treated.
2. If a level surface is not available, a lockable wall mounting bracket can be used. The lockable wall mounting bracket is attached to the wall part of the mounting bracket with the help of 4 screws in the wall (see illustration 2).
3. Attach the wall mounting bracket of the generator (see illustration 3) with the supplied screws. (If you have ordered the generator and the wall mounting bracket at the same time, the mounting bracket will be preassembled).
4. Hang up the generator on the wall mounting bracket and drive the locking pin (illustration 4) through the hole in both attachments behind the generator (illustration 5). A padlock is not supplied.

Mounting flange Ø100 mm (optional).

Install the flange on the inlet or outlet of the generator by fastening it with the screws of the housing.



The ozone generator in the illustration is equipped with a wall mounting bracket.

Illustration 1



Illustration 2: Wall part of the wall mounting bracket



Illustration 3: Generator wall mounting bracket



Illustration 4: Locking pin



Illustration 5: Shows the assembled parts

4. ELECTRICAL CONNECTION

The generator is supplied with a 2.5m connection cable. Connect the plug to a 230VAC 50Hz grounded wall outlet.

5. SYSTEMTEST

1. Turn on the generator by setting the generator switch to "I". The red lamp on the power switch is lit and you hear that the fan and ozone cell starts (a sparking sound).



- b. Inspect the fan by trying whether you can feel the air flow in the outlet (the perforated side on the short end of the generator).
 - c. Inspect the ozone cell only by sensing the ozone odour in the outlet. The odour is somewhat pungent and reminds of chlorine.
2. The adjustment screw labelled "Ozone Level %" can be adjusted from 0 to 100% (0-500 mg/h). It adjusts the time interval at which the generator produces ozone. The fan in the generator is always on.
 3. Use the adjustment screw to adjust the right ozone quantity needed in the area you want to treat. This is done by adjusting the screw to a mode where the uncomfortable odour in the room is felt at a comfortable level. There must also be a faint ozone odour.
 4. Inform persons who normally visit the area that it is undergoing ozone treatment as well as how the ozone adjustment of the generator works.

Troubleshooting

If the generator does not work:

1. Check whether the network cable is connected to a wall outlet and that the generator switch is in "I" position and that the lamp is red. If the generator still does not work, check whether the glass fuse is whole and 1AT. If it is replaced and comes off, call the dealer or the manufacturer for technical support.
2. Check whether the generator produces ozone by setting the adjustment screw to "Ozone Level %" in position 100 %. If no sparking sound comes from the ozone cell, contact the dealer or the manufacturer for technical support.
3. Make sure that the filter is not clogged. If it is, order a new filter from the dealer or the manufacturer.
4. Check whether the fan is working by feeling the air flow at the outlet. If the fan is not working, contact the dealer or the manufacturer for technical support.

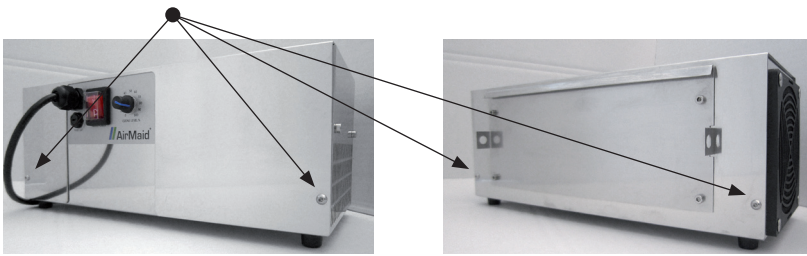
6. SERVICE AND MAINTENANCE

The ozone cell (CGC) in the generator must be inspected and if necessary cleaned at least once a year according to the instructions below. The air filter must be replaced at least once a year. After the installation an inspection is recommended after three months.

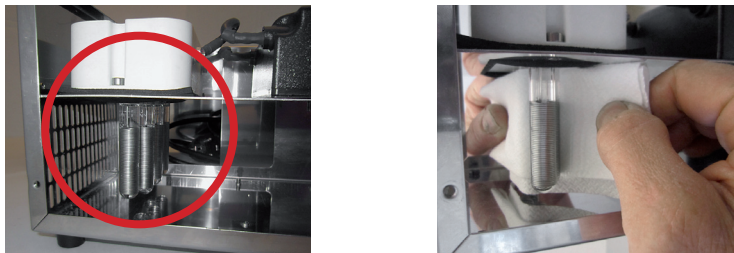
Always use protective gloves and protective goggles.

Cleaning of the Ozone Cell

1. The power supply must be disconnected from the generator
2. Loosen the four screws that hold the housing and lift it.



3. Carefully clean the glass electrodes and the surfaces on the inside using a soft cloth with cleaning spirit. Never use sharp tools or abrasives when cleaning the glass electrodes.

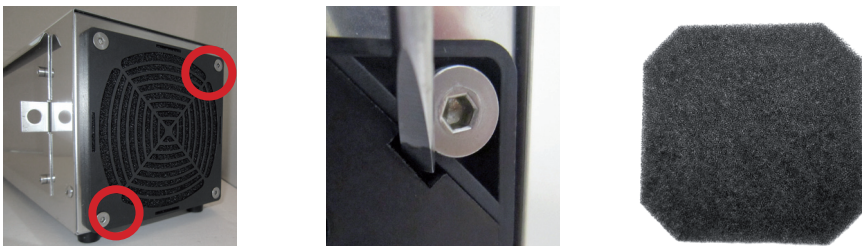


NOTE: The glass electrodes are fragile.

4. Reassemble the housing and fasten with the four screws.
5. Connect to power supply.

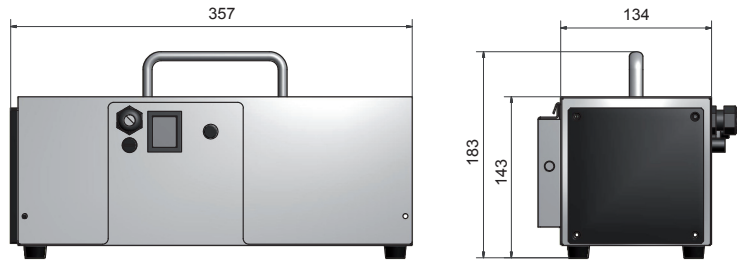
Replacing the Air Filter

1. Dismount the filter frame by using a screwdriver for the two holes and separate the frame that holds the filter in place.



2. Remove the old filter and install the new one. Reinstall the filter frame.

7. TECHNICAL SPECIFICATION



The Ozone generator in the illustration is equipped with a lockable wall mounting bracket.

AirMaid	Ozone capacity	Power	Voltage	Weight	Fuse
500 W	0-500 mg/h	55 watt	230V/50Hz	4 kg	1 AT

Material: AISI 304 stainless steel
Operating temperature: -25 to +40°C
Dimensions WxLxH: 135x360x145 mm
Fan capacity: 160 m³/h (free blowing)

EC DECLARATION OF CONFORMITY

This product has been designed, manufactured and delivered according to the safety provisions of the following EU directives:

- *Electronic Compatibility Directive 2004/42/EC*
- *Low Voltage Directive 2006/95/EC*
- *WEEE Directive 2002/96/EC*



This symbol shows that when the user wishes to dispose of this product, it has to be transported to a recycling centre for electronic products.

Facts about Ozone

Ozone is a colorless gas with a pungent smell that can be detected by any person at a concentration of 0,02ppm (0,4mg/m³). The smell of ozone is similar to chlorine like in a swimming baths.

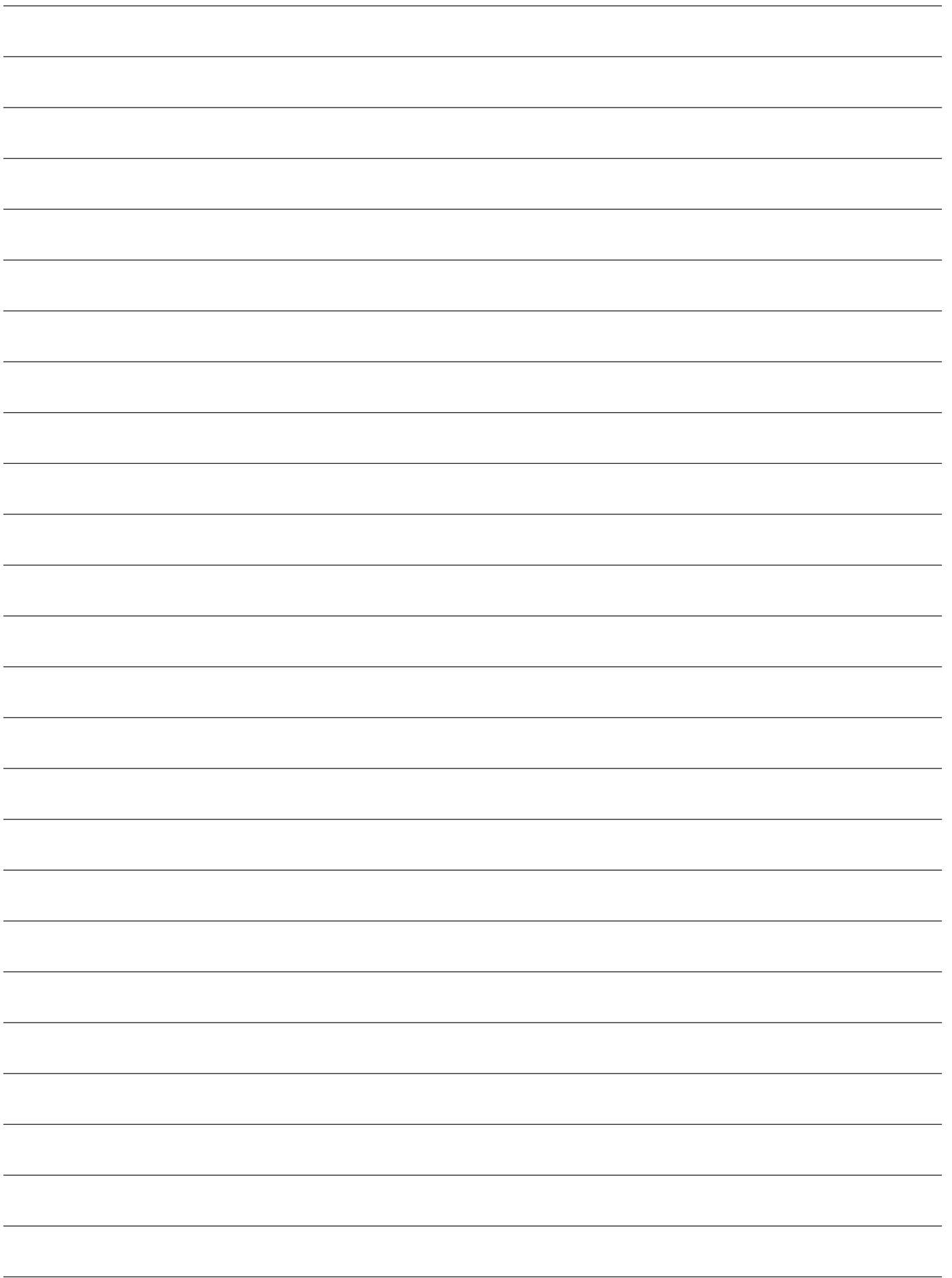
Local protection legislations must be followed when using ozone. In Sweden the Swedish Work Environment Authority issues the following hygienic limits for ozone:

- 0,1ppm (during a working day, 8 hours)
- 0,3ppm (during 15 minutes)

At acute exposure ozone can cause following injuries:

- On skin: Irritation and burning feeling
- In eyes: Hard irritation, burn injuries and reduced vision
- In lungs: Irritated effect on respiratory organs and breathing problems

Basically one should always take precautions if ozone in some way can be detected in indoor environment.



Reproduction, modification or translation without a prior written consent is forbidden with the exception of what is permitted by the Act on Copyright.

Copyright

© 2012 Copyright Interzon AB

Version 1, 05/2012

Distributor:



Manufacturer:

Interzon AB

Propellervägen 4A

SE-183 62 Täby, Stockholm

Sweden

Tel: +46 8 544 444 30

Fax: +46 8 544 444 39

Email: info@interzon.com

Internet: www.interzon.com