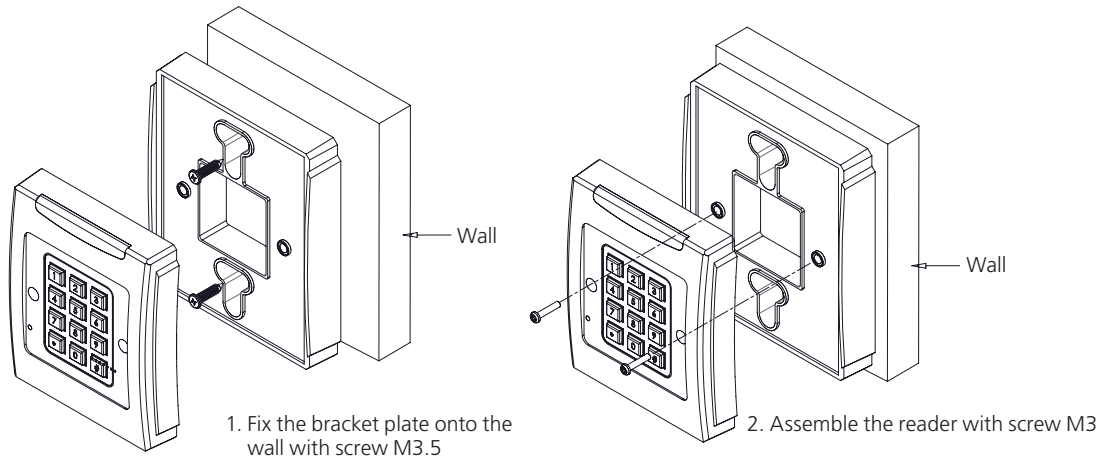


Installation manual Pelite

Pelite is a Mifare/DESFire reader with or without keypad. It can be configured to read Mifare, DESFire chip serial number (CSN), Mifare sector (Mifare Classic) and DESFire EV1 (AES 128 encrypted data).



Cable Description

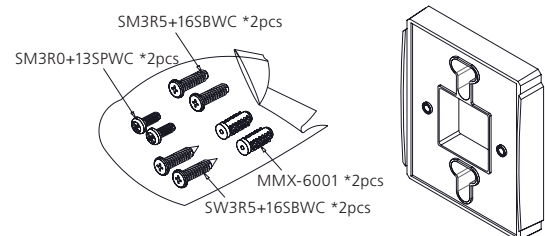
Described cable function applies, unless otherwise is indicated in the communication interface column.

Notes

1. When Wiegand cable length max 50 meters
2. Wiegand requires dedicated wires to control LED by system as description below.
3. RS485/OSDP requires twisted pair cable

Plint 1	Function	RS485	RS232	Wiegand	Clock/Data	Notes
VIN	+7,5-24VDC					
GND	0VDC					
TX	Transmit data	RS485+	TX			3
RX	Receine data	RS485-	RX			3
D/O	External buzzer control					
D 0	Data Wiegand, Clock data			Data 0	Data	1
D 1	Data Wiegand, Clock data			Data 1	Clock	1
CP	Keypad backlight control/ Tamper alarm output					2
GRN	Green LED					2
RED	Red LED					2

Contents of the package



Features

- ⦿ For wall mounting.
- ⦿ For both indoor and outdoor use.
- ⦿ Backlit keypad in metal.
- ⦿ Clear visual LED indicator for valid/invalid card.
- ⦿ Clear buzzer tone for valid/invalid card.
- ⦿ Tamper alarm.

Technical specification

- ⦿ Power Requirement: Stabilized power 7,5-24VDC
- ⦿ Supply Current: 85mA
- ⦿ Frequency: 13,56 MHz
- ⦿ Reading Distance: Mifare up to 10 cm, DESFire up to 6 cm
- ⦿ Mifare CSN, Mifare Classic, Mifare Plus, DESFire 0,6, DESFire EV1
- ⦿ UID 4 and 7Byte
- ⦿ Interface SC7730(K)-00 Wiegand 26-128bit/RS232
- ⦿ Interface SC7740(K)-00 Wiegand 26-128bit/RS485
- ⦿ Interface SC7740(K)-OSDP RS485-OSDP
- ⦿ Dimensions: 112x96x22mm
- ⦿ Housing Material: ABS plast
- ⦿ Work Temperature: -30 - +60 C°, Storage Temperature: -30 - +70 C°
- ⦿ Humidity: 90%
- ⦿ Protection Classification: IP 54
- ⦿ Plug-in connector terminal