

# REINER

---

## Operating Instructions

# 880

Electronic stamp  
with flexible imprint selection



© 2011 Ernst Reiner GmbH & Co. KG

All rights reserved. Translations, reprints, or any other form of reproduction of this manual, even in part and regardless of form, require prior written permission.

These operating instructions are subject to change without prior notice.

These operating instructions have been compiled with the utmost care and diligence, however we cannot assume any form of liability for errors or omissions or for damage resulting from them.

## Safety instructions

- Reiner 880 complies with the relevant safety regulations for information technology equipment, including electric office machinery
- Unauthorised opening of the machine and improper repairs can cause considerable danger (fire hazard)

To avoid the danger of crushing, do not insert your finger between the baseplate and the print carriage.

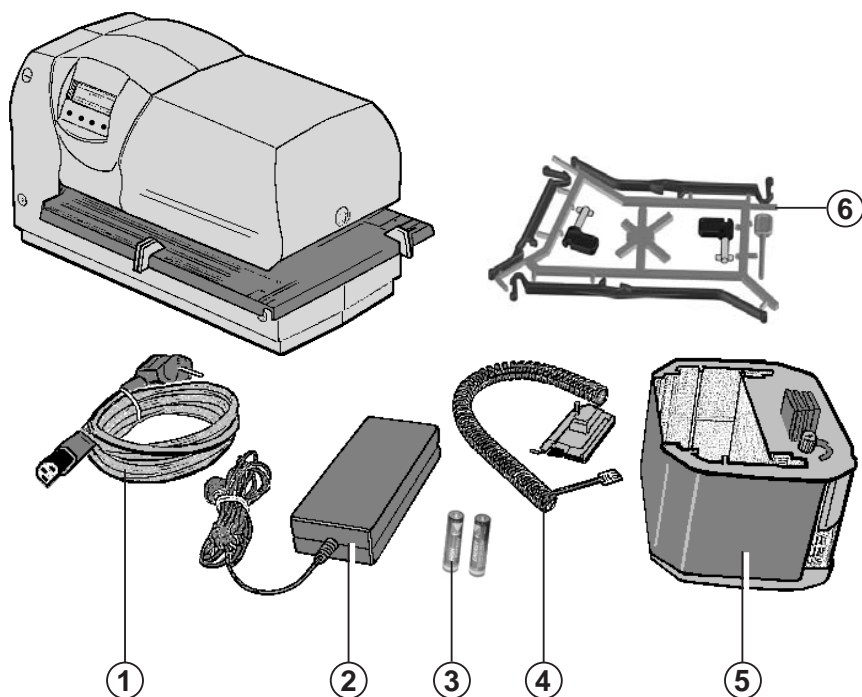
- Transport the machine only in its original package or other suitable package that provides protection against shock and impact
- If the machine is taken from a cold environment into a warm room, dew may form on it. Wait until the machine has warmed up to room temperature and is absolutely dry before starting to use it
- Make sure that the local mains voltage corresponds to the voltage stated on the mains unit
- Reiner 880 performs the radio noise limits of class A. In a living area may occur radio interferences. In this case from the user can be required to carry out adequate funds
- Ensure that the locally-installed mains socket with protective earth, which you use for the machine, is readily accessible at all times
- The machine has no ON / OFF switch; to disconnect it from the mains you must disconnect the mains unit from the mains socket
- Arrange the connection leads so that they do not create a hazard (danger of tripping) and cannot be damaged
- Take care that no objects (e.g. necklaces, paper clips, or liquids) fall into the machine - danger of electric shock and short circuit
- In an emergency, e.g. in the event of damage to the machine casing, control elements or the mains lead, or if an object or liquid falls into the machine, disconnect the mains unit from the mains socket and inform your sales agent or our Service Department.

## Table of contents

<b>Safety instructions</b> .....	3
<b>Delivery includes the following:</b> .....	6
<b>Control elements</b> .....	7
<b>Commissioning</b> .....	8
Removing the cover .....	8
Removing the transport brace .....	8
Tensioning the ink ribbon .....	8
Inserting the ink-ribbon cassette .....	9
Fitting the batteries .....	9
Replacing the cover .....	9
Setting the paper stops .....	10
Mounting paper stop on the folding rail .....	10
Fitting and setting the depth-stop contact .....	11
Fitting the paper holder .....	12
Connecting the power supply .....	13
<b>Printing</b> .....	14
<b>Insert a print medium</b> .....	15
<b>Precautions with the stamping</b> .....	16
<b>User level / Desktop</b> .....	17
<b>Description of the favourite list</b> .....	18
<b>Menu overview</b> .....	19
<b>Description of the key functions in the menu</b> .....	20
<b>Menu item Imprint</b> .....	21
Changing the imprint .....	21
Inverted ON / OFF .....	21
Changing centring .....	21
<b>Stored imprints</b> no. 00 - 06 .....	22
no. 07 - 15 .....	23
no. 16 - 23 .....	24
no. 24 - 31 .....	25
no. 32 - 40 .....	26

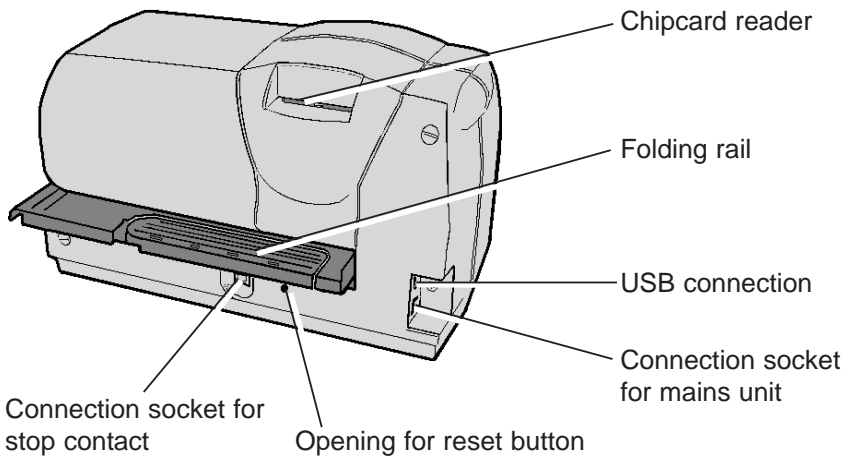
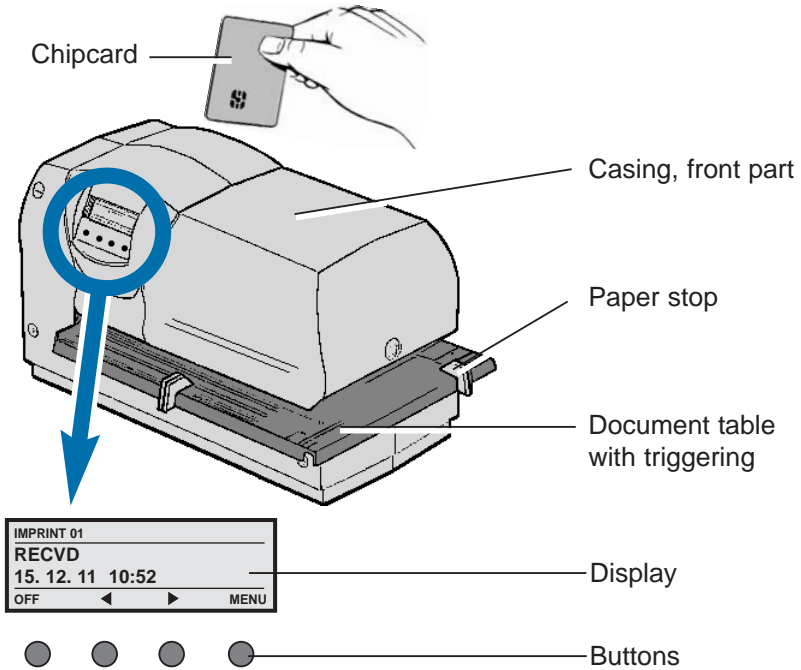
<b>Menu item Date / Clock time</b> .....	27
functional diagram .....	28
<b>Menu item Numberer / Fixed number</b> .....	29
<b>Descriptions of the Numberer</b> .....	30
Start value, Minimum value, Maximum value, Mode .....	30
Repetition factor, Pre zeros ON / OFF .....	31
Switch over of Numberer manually .....	32
functional diagram 1 .....	33
functional diagram 2 .....	34
<b>Menu item Pre-Text / Chipcard text</b> with functional diagram .....	35
Stored Pre - texts .....	36
<b>Menu item Language</b> with functional diagram .....	37
<b>Menu item Settings</b> .....	38
functional diagram .....	39
<b>Chipcard functions</b> .....	41
Key function, Operator identification on the chip card .....	42
Individual imprint on the chipcard .....	42
<b>Changing the ink-ribbon cassette</b> .....	43
<b>Replacement of the printing plate</b> .....	44
<b>Safety lock of the printing plate</b> .....	45
<b>USB interface</b> .....	47
<b>Cleaning jobs at the machine</b> .....	48
<b>User's hints and error codes</b> .....	49
<b>Reset</b> .....	51
<b>Technical data</b> .....	52
<b>Certifications</b> .....	53

## Delivery includes the following :



- ① = Mains cable
- ② = Power supply
- ③ = 2 Batteries Type AAA
- ④ = Depth-stop contact
- ⑤ = Ink ribbon cassette
- ⑥ = Trip switch accessory set (Order No. 887 380 - 000)  
comprising:
  - 2 Rails
  - 1 Reset pin
  - 1 Paper holder, short
  - 1 Paper holder, medium
  - 1 Paper holder, long

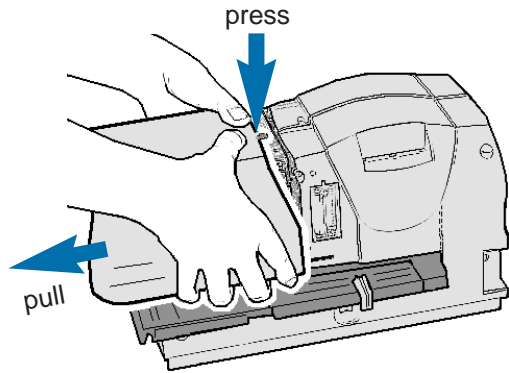
## Control elements



## Commissioning

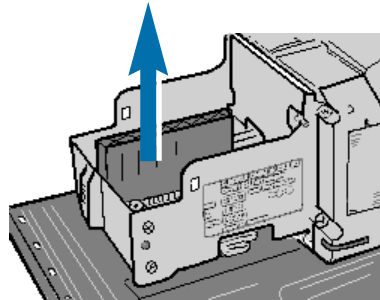
### remove the cover

- ▶ grasp the front part of the casing with both hands and press down on the centre of it with both thumbs to unlatch it
- ▶ to remove the front part of the casing pull it towards to you



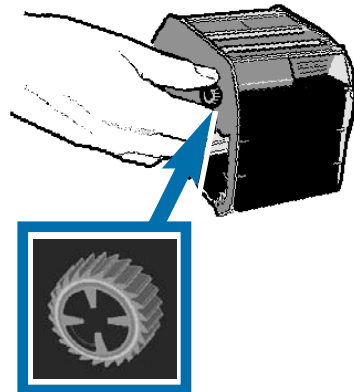
### remove the transport securing

- ▶ remove the safety carton upwards



### tension the ink ribbon

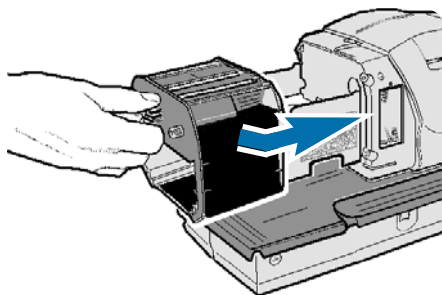
- ▶ turn the knurled wheel about one turn in anti-clockwise direction





## insert the ink - ribbon cassette

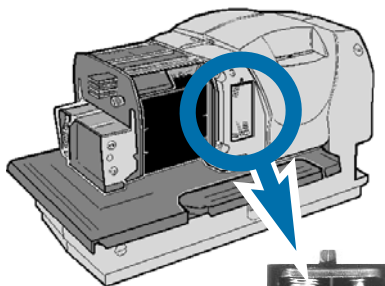
- ▶ hold the ink-ribbon cassette by the knurled wheel, place it askew on the guide and push it in direction of the arrow to the stop



## insert the batteries



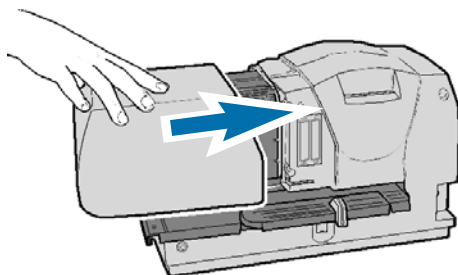
- The batteries (Type AAA) are required for the date and time memory
- batteries should not be disposed in the domestic waste. Make sure about the handling of consumed batteries



- ▶ insert the batteries into the battery compartment. Take care to the polarity of the batteries and ensure to deposit it in the correct directions

## replace the cover

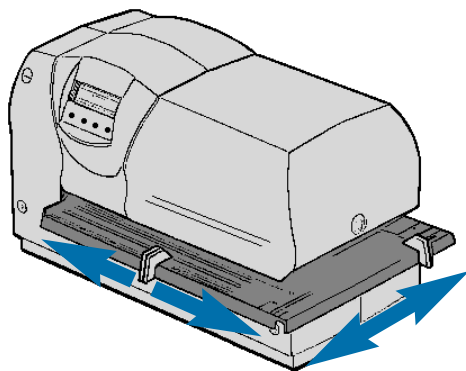
- ▶ put the cover in position and push it in the direction of the arrow until it engages



## settings of the paper stops



the purpose of the red paper stops is the accurate positioning of documents for printing. They can be freely - positioned on the document table.

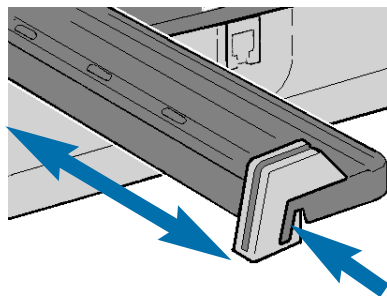
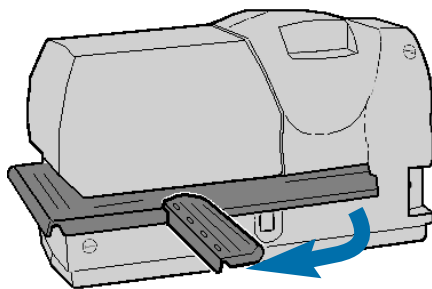


## attach the paper stop to the folding rail



a paper stop can also be fitted to the folding rail. In this case, it serves to position the imprint vertically. The imprint is triggered by the document table.

- ▶ unlock the folding rail on the rear side of the document table and turn it in the direction of the arrow
- ▶ take a paper stop from the document table, attach it to the folding rail and adjust it in the desired position

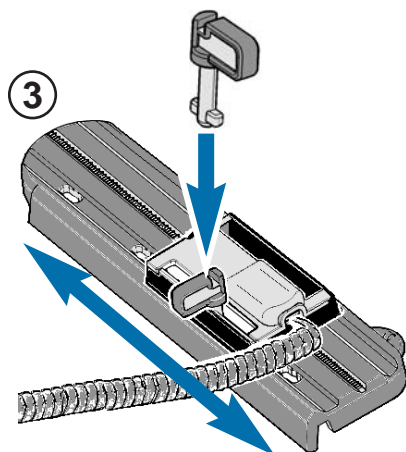
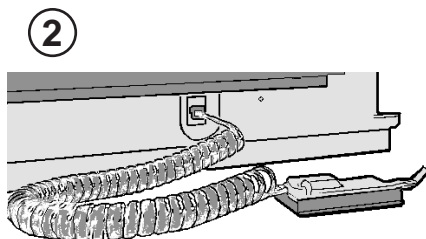
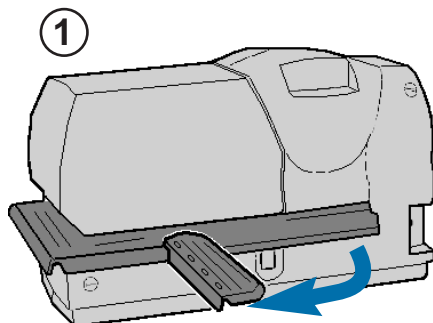


## fitting and setting of the trip switch



Using the depth-stop contact, printing is triggered when a piece of paper is pushed in.  
(see 'Menu item Settings' on pages 38 and 39)

- ▶ unlock the folding rail on the rear side of the document table and turn it in the direction of the arrow (see figure 1)
- ▶ plug in the plug of the trip switch into the socket (see figure 2)
- ▶ fix the trip switch to the folding rail by pushing its fastener into an opening of the folding rail and turning it 90° to lock it (see figure 3)

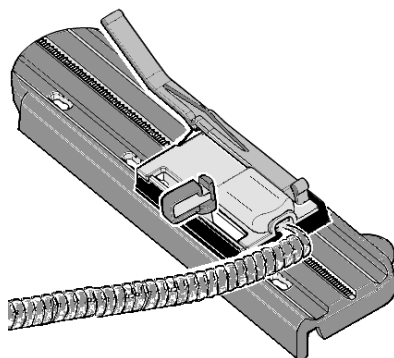
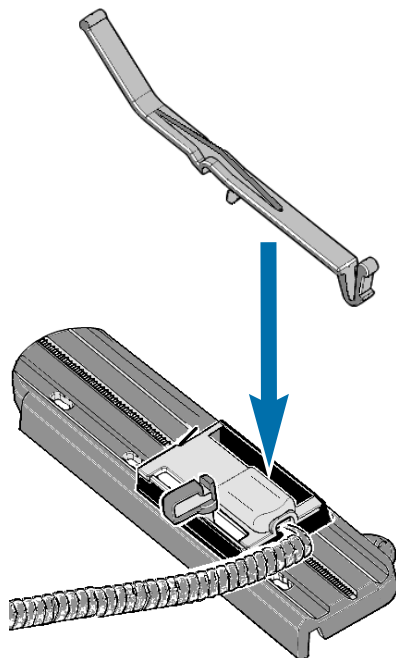


## fitting of a paper holder



Fitting of the paper holder to the depth-stop contact makes it easier to feed paper into the machine. There are three different lengths of paper holders (short, medium and long) in selection. The best length depends on the distance from the depth-stop contact to the casing. The distance from the paper holder to the casing should be as small as possible to make it easier to guide documents.

- ▶ select the desired paper holder from the *Depth - stop contact accessory set* (see page 6)
- ▶ fit the paper holder to the mounting on the depth - stop contact and lock it in place



## plug in the power supply



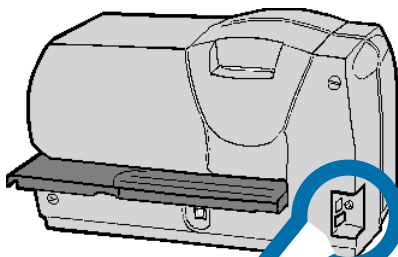
Note

The power supply socket is located at the rear of the machine

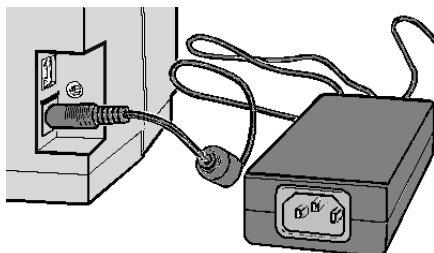


Warning

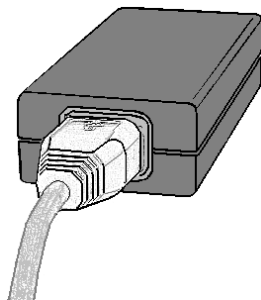
Follow the directions of sequence of connection!  
Do not plug in the power supply in live wire!



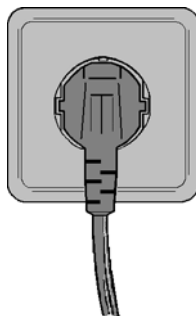
- ▶ plug in the plug of the power supply at the lower round socket of the machine



- ▶ plug in the equipment plug of the mains cable into the power supply



- ▶ plug in the mains cable into a convenient mains socket



The machine is now ready for use.  
The display will show a pre-selected imprint.

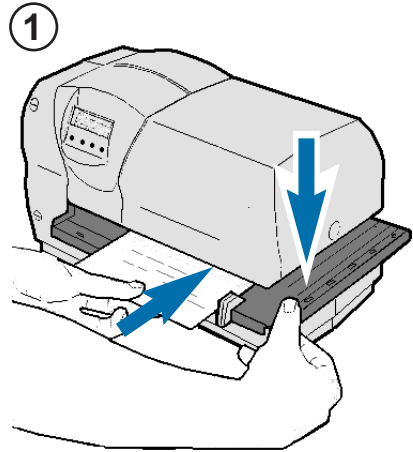


There are three different ways of triggering printing.

The mode required must be selected using the menu (see page 38 'Menu item Settings' / Trigger)

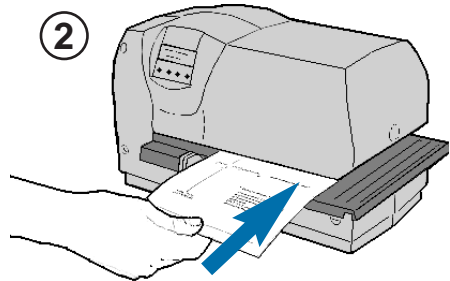
**① triggering only by the document table :**

- ▶ insert the print medium to the required position (for example to a stop)
- ▶ press down the document table



**② triggering only by the depth-stop contact :**

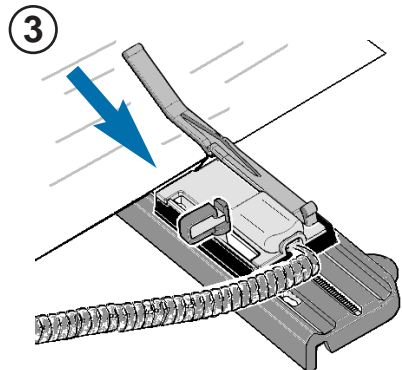
- ▶ insert the print medium until the printout is automatically triggered



**① triggering either by the document table or by the depth - stop contact**

**②**

**③**

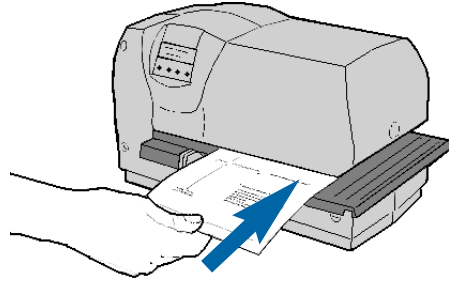


## Insert a print medium

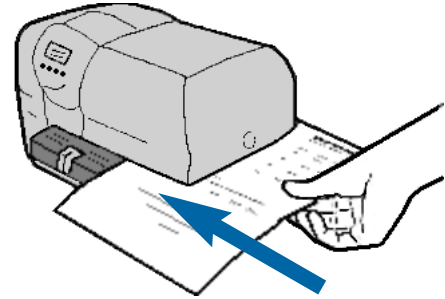


The different ways of introducing print media enable an imprint to be positioned almost anywhere on a form.

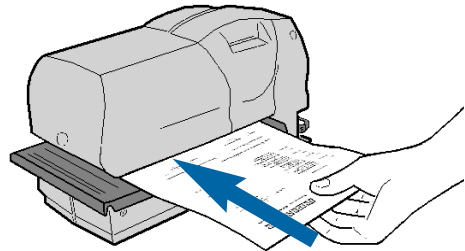
**Print medium inserted from the front**



**Print medium inserted from the side**



**Print medium inserted from the rear**



## Precautions with the stamping

Pay attention to the following precautions:

**REINER**  
numeriert, datiert, codiert  
Elektrostempelgeräte  
für Belegstapel bis 2,5 mm  
TYP 880  
Druckrolle für Textplatte  
plus Nadeldrucker  
Textplatte 62X40 mm, bis zu 3 Durchschläge

123456 15.12.11 08:45

### **Don't stamp at staples !**

Stamping at staples may cause damages at the printing plate or at the 9 - pin dot matrix print head. By this means that the imprint may be incomplete.

**REINER**  
numeriert, datiert, codiert  
Elektrostempelgeräte  
für Belegstapel bis 2,5 mm  
TYP 880  
Druckrolle für Textplatte  
plus Nadeldrucker  
Textplatte 62X40 mm, bis zu 3 Durchschläge

123456 15.12.11 08:45

### **Don't stamp at paper clips !**

Stamping at staples may cause damages at the printing plate or at the 9 - pin dot matrix print head. By this means that the imprint may be incomplete.

### **Don't stamp at perforation !**

By stamping at perforations the imprint at paper may be incomplete.



## User level / Desktop

### Ready to print

- [ OFF ] = switch off the device  
(keep the key pressed for min. 3 seconds after that occurs the standby mode)
- [ ON ] = switch on the device
- [ MENU ] = select menu
- [ ◀ ] [ ▶ ] = chooses the previous or the following function

**FAVORITE 1 - 5** is displayed  
(Description see next side)

**CLOCK TIME** is displayed

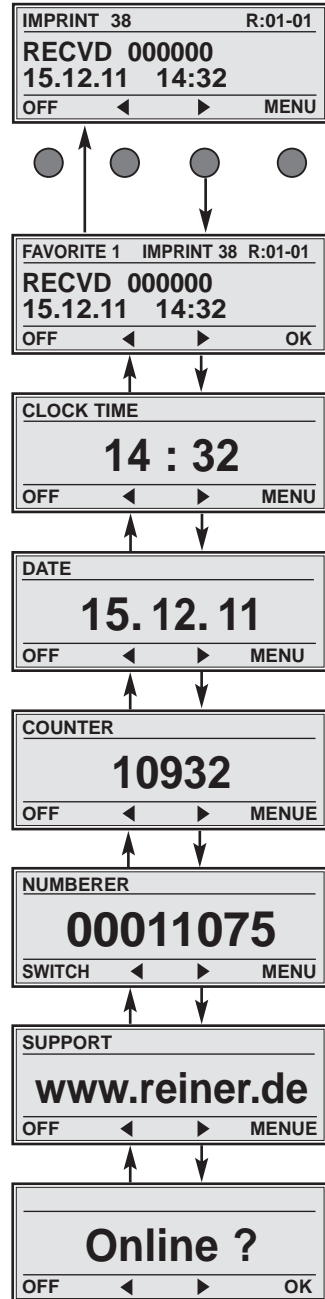
**DATE** is displayed

**COUNTER** is displayed (see p. 40, 'Settings / Counter')

**NUMBERER**  
[ SWITCH ] = manual switch over of the Numberer

**SUPPORT** = Homepage in Internet

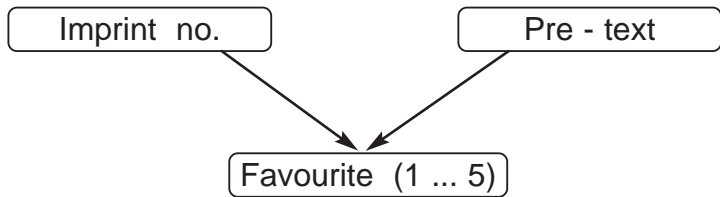
or service purposes, update and  
**REINER Click&Stamp**  
[ OK ] = activates an online connection



## Description of the favorite list

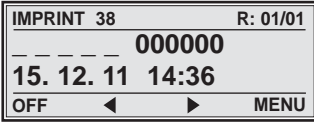


- The favourite list contains five imprints
- The lastly activated imprint will be stored automatically in the favorite list as FAVORITE 1 . By this, the previous FAVORITE 5 is signed over.
- The content of the favorite list is changable.  
Example: Any imprint can be assigned to different Pre - texts.

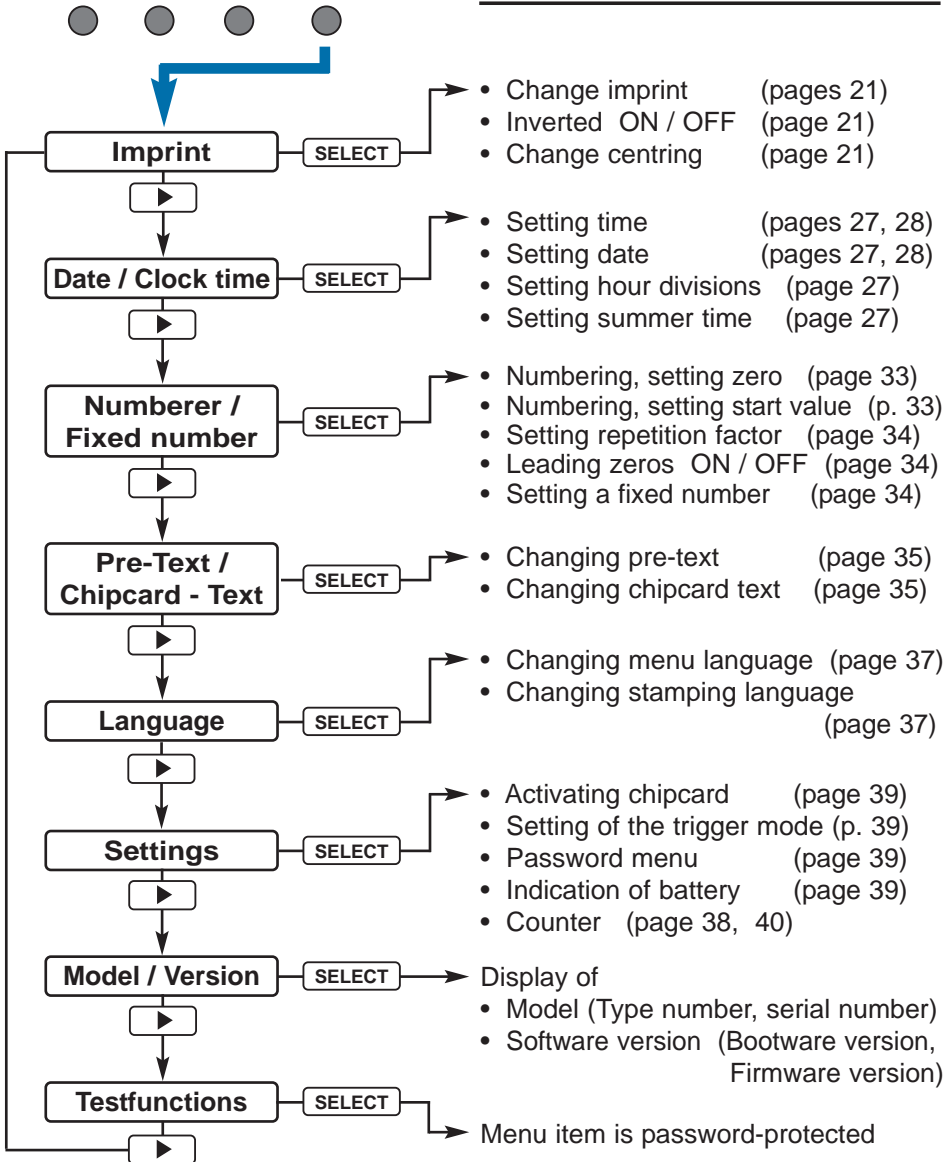


- Key functions:
  - [ ◀ ] [ ▶ ] = Selection of the previous or following favorite
  - [ OK ] = Selected favorite will be activated as actual imprint

## Menu overview



**Menu selection:** Press [ **MENU** ] button, the display will show 'Imprint'



## Description of the key functions in the menu



### [ SELECT ]

- selection of a displayed menu item
- selection of a displayed status  
after selection the actually set status  
will be displayed flashing

### [ ◀ ] or [ ▶ ]

- displays the previous or following menu item
- increment or decrement setting of the displayed status
- increment or decrement setting of the displayed value

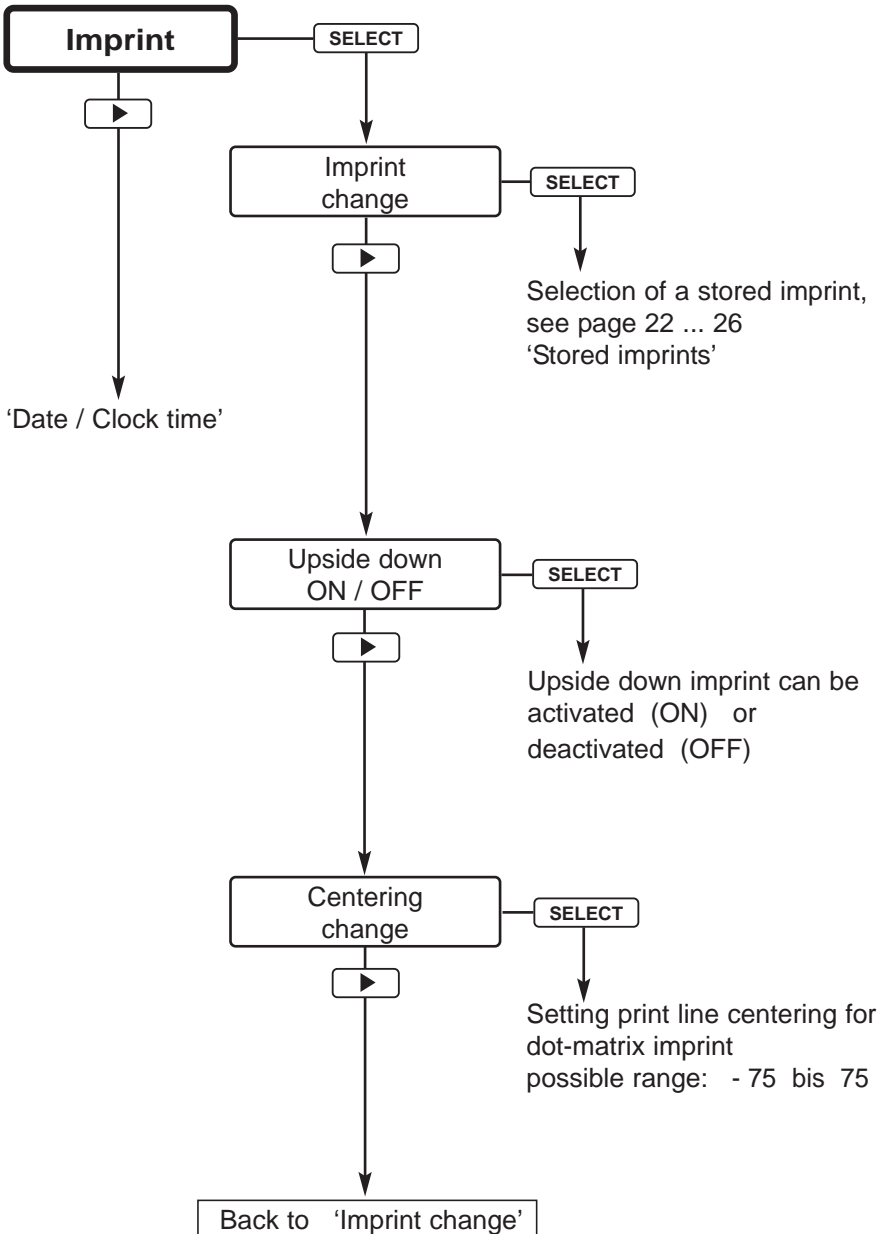
### [ OK ]

- confirmation and storage of the set status
- confirmation and storage of the set value

### [ RETURN ]

- return to the previous menu item  
Eventually press [ RETURN ] repeatedly to quit the menu or to quit the setting.  
The actually imprint will be displayed and 880 is ready to operate.

## Menu item Imprint



## Stored Imprints



Imprints who can be added with a pre-text are shown below with an example of a pre-text. The pre - texts and the names of the months depend on the selected language (see page 37)

Date stamp

No.	Imprints	Operator identification possible
00	<i>Imprint can only be read from a chip card</i>	yes
01	<b>15. DEC 2011</b> <b>RECVD 15. DEC 2011</b> (Example with pre-text)	yes yes
02	<b>15. 12. 2011</b> <b>SENT 15. 12. 2011</b> (Example with pre-text)	yes yes
03	<b>2011 - 12 - 15</b> <b>FILE 2011 - 12 - 15</b> (Example with pre-text)	yes yes
04	<b>DEC 15 2011</b> <b>INV. DEC 15 2011</b> (Example with pre-text)	yes yes
05	<b>2011 001</b> <b>ORDER 2011 001</b> (Example with pre-text)	yes yes
06	<b>15. DEC 2011</b> <b>PAID 15. DEC 2011</b> (Example with pre-text)	yes yes

	No.	Imprint	Operator identification possible
	07	free	
Numbering	08	<b>12345678</b> <b>RECVD 12345678</b> (Example with pre-text)	yes yes
	09	<b>12345678</b> <b>SENT 12345678</b> (Example with pre-text)	yes yes
	10	12345678 <b>FILE 12345678</b> (Example with pre-text)	yes yes
	11	<b>123456789012</b> <b>INV. 123456789012</b> (Example with pre-text)	yes yes
Fixed number	12	<b>123456789012</b> <b>INV. 123456789012</b> (Example with pre-text)	yes yes
	13	123456789012 <b>ORDER 123456789012</b> (Example with pre-text)	yes yes
Numbering with date right	14	<b>12345678 15. DEC 11</b> <b>INV. 12345678 15. DEC 11</b> (Example with pre-text)	yes no
	15	<b>12345678 15. 12. 11</b> <b>PAID 12345678 15. 12. 11</b> (Example with pre-text)	yes no

Numbering with date right	No.	Imprint	Operator identification possible
	Numbering with date left	16	12345678 11 - 12 - 15
RECVD 12345678 11 - 12 - 15 (Example with pre-text)			no
17		12345678 DEC 15 11	yes
		SENT 12345678 DEC 15 11 (Example with pre-text)	no
18		12345678 2011 001	yes
		FILE 12345678 2011 001 (Example with pre-text)	no
19		12345678 15. DEC 2011	yes
		INV. 12345678 15. DEC 2011 (Example with pre-text)	no
20	15. DEC 11 12345678	yes	
	ORDER 15. DEC 11 12345678 (Example with pre-text)	no	
21	15. 12. 11 12345678	yes	
	ENT. D 15. 12. 11 12345678 (Example with pre-text)	no	
22	11 - 12 - 15 12345678	yes	
	PAID 11 - 12 - 15 12345678 (Example with pre-text)	no	
23	DEC 15 11 12345678	yes	
	FAX DEC 15 11 12345678 (Example with pre-text)	no	



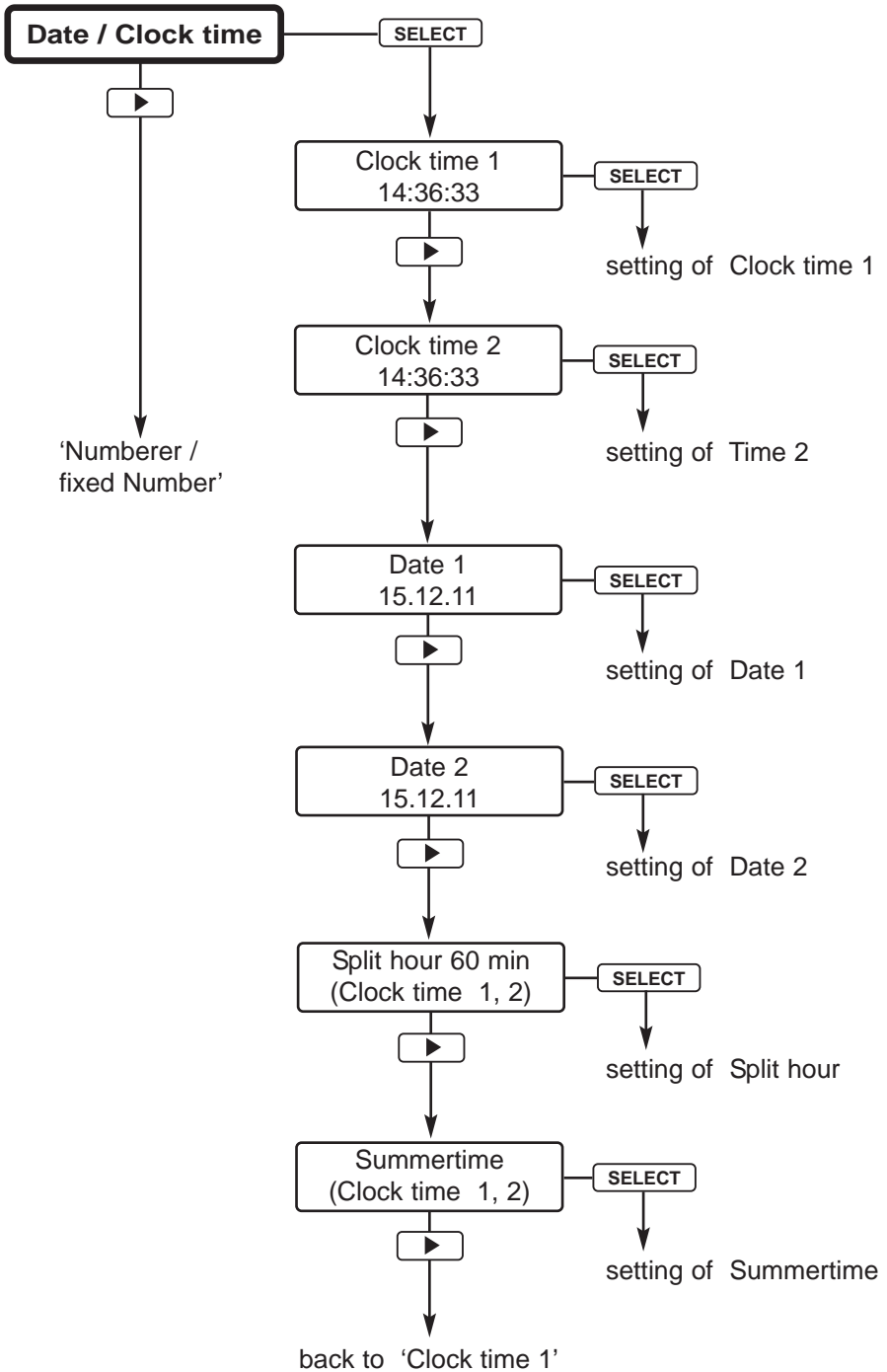
	No.	Imprint	Operator identification possible
<b>Numbering with date left</b>	24	<b>2011 001 12345678</b>	yes
		<b>RECVD 2011 001 12345678</b> (Example with pre-text)	no
	25	<b>15. DEC 2011 12345678</b>	yes
		<b>FAX 15. DEC 2011 12345678</b> (Example with pre-text)	no
<b>Date / Time stamp</b>	26	<b>15. DEC 2011 08:45</b>	yes
		<b>ORIG 15. DEC 2011 08:45</b> (Example with pre-text)	no
	27	<b>15. 12. 2011 08:45</b>	yes
		<b>FAX 15. 12. 2011 08:45</b> (Example with pre-text)	Yes
	28	<b>2011 - 12 - 15 08:45</b>	yes
		<b>SENT 2011 - 12 - 15 08:45</b> (Example with pre-text)	yes
	29	<b>DEC 15 2011 08:45</b>	yes
<b>RECVD DEC 15 2011 08:45</b> (Example with pre-text)		no	
30	<b>2011 001 08:45</b>	yes	
	<b>INV. 2011 001 08:45</b> (Example with pre-text)	yes	
31	<b>DEC 15 2011 AM 08:45</b>	yes	
	<b>FAX DEC 15 2011 AM 08:45</b> (Example with pre-text)	no	

Time stamp with number and date	No.	Imprint	Operator identification possible
	32	free	
	33	<b>123456 15. DEC 2011 08:45</b> (No pre-text possible)	no
	34	<b>123456 15. 05. 2011 08:45</b> (No pre-text possible)	no
	35	<b>123456 2011 - 12 - 15 08:45</b> (No pre-text possible)	no
	36	<b>123456 DEC 15 11 08:45</b> (No pre-text possible)	no
	37	<b>000000 2011 001 08:45</b> (No pre-text possible)	yes
	38	123456 15. 12. 11 08:45	yes
		<b>RECDV 123456 15. 12. 11 08:45</b> (Example with pre-text)	no
	39	<b>123456 DEC 15 11 AM 08:45</b> (No pre-text possible)	no
40	<b>no dot matrix imprint (only stamp plate)</b>		

## Menu item Date / Clock time



- **Clock time 1 and Date 1** will be used for the stored imprints as well as can be used with chip cards
- **Clock time 2 and Date 2** will be used for the imprints stored on the chip card. They can be used e. g. for periods observations, follow-up of orders or expiration dates  
Example:  
Actual time (time 1 and date 1):  
11:45 15. 12. 11  
Expiration date (clock time 2 and date 2): 11:45 15. 06. 12
- **Setting of Clock time and date** Hours, minutes and seconds will be displayed one after another. The sequence of the date entry day / month / year can be different, it depends on the used imprint
- **Setting of Split hour** The setting of this menu item applies to Time 1 and Time 2  
h/60 = division 60 minutes per hour  
h/100 = division 100 minutes per hour
- **Setting of Summer time** The setting is valid for the menu items Clock time 1 and Clock time 2  
Available are 'European summer time', 'American summer time' and 'no summer time'



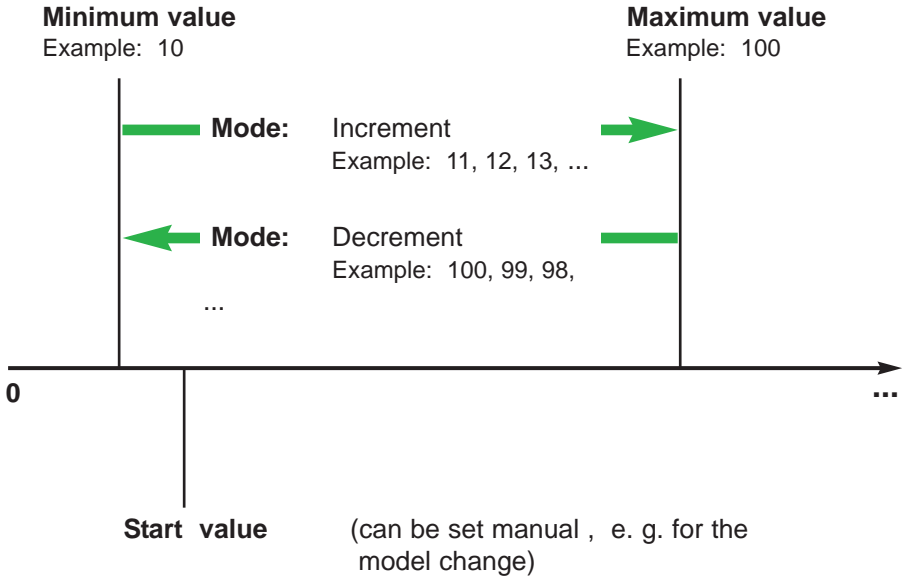
## Menu item Numberer / Fixed number



- **Numberer 1** six digit or eight digit (depending on the selected imprint) is used for the imprints stored in the machine
- **Numberer 2** is used for imprints stored on a chip card
- **Mode Numberer** is used for upward printing from the Minimum value to the Maximum value or it is used for declining printing from the Maximum value to the Minimum value.  
Inkrement = upward printing  
Dekrement = backward printing
- **Numberer, manual** Numberer 1 and Numberer 2 can be switched on manually by pressing a key (see also page 17, 'Desktop')
- **Fixed number** Menu items are used for setting a fixed number, which does not advance with every print operation  
  
**Fixed number 1** is used for the imprint numbers 11, 12 and 13  
  
**Fixed number 2** is used for imprints stored on a chipcard

## Descriptions of the Numberer

### Start value, Minimum value, Maximum value, Mode



**The Start value must be more or equal to the minimum value!**

### Step

The value of Step is adjustable from 0 to 99 .  
Documents can be printed within the set increment.

Print example Step 10: 0010, 0020, 0030, ... and so on

## Repetition factor

The Repetition factor is used to print several documents with the same number.

The factory setting is 1, this means the Numberer switches over with each print. By setting the value to 2, the Numberer switches over with every second print.

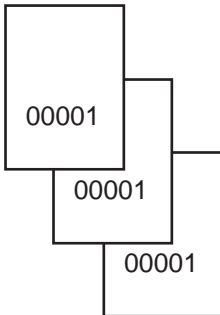
The Repetition factor is adjustable from 0 to 99.

Setting 0 disables the switch over of the Numberer.

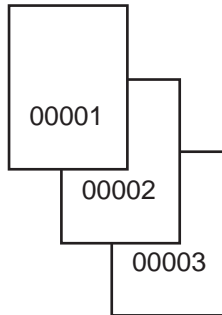


To print a different number of documents with the same printout, it is recommended to use the manual adjustable Numberer.

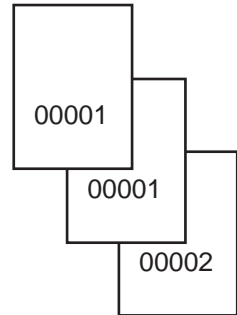
Repetition factor 0



Repetition factor 1



Repetition factor 2



## Pre zeros ON / OFF

This function serves as a better readability of lower numbers.

With the setting 'Pre zeros OFF' the print line will be extended.

Example:

Pre zeros ON:            0001,   0099,   0999,   9999

Pre zeros OFF:           1,       99,      999    9999

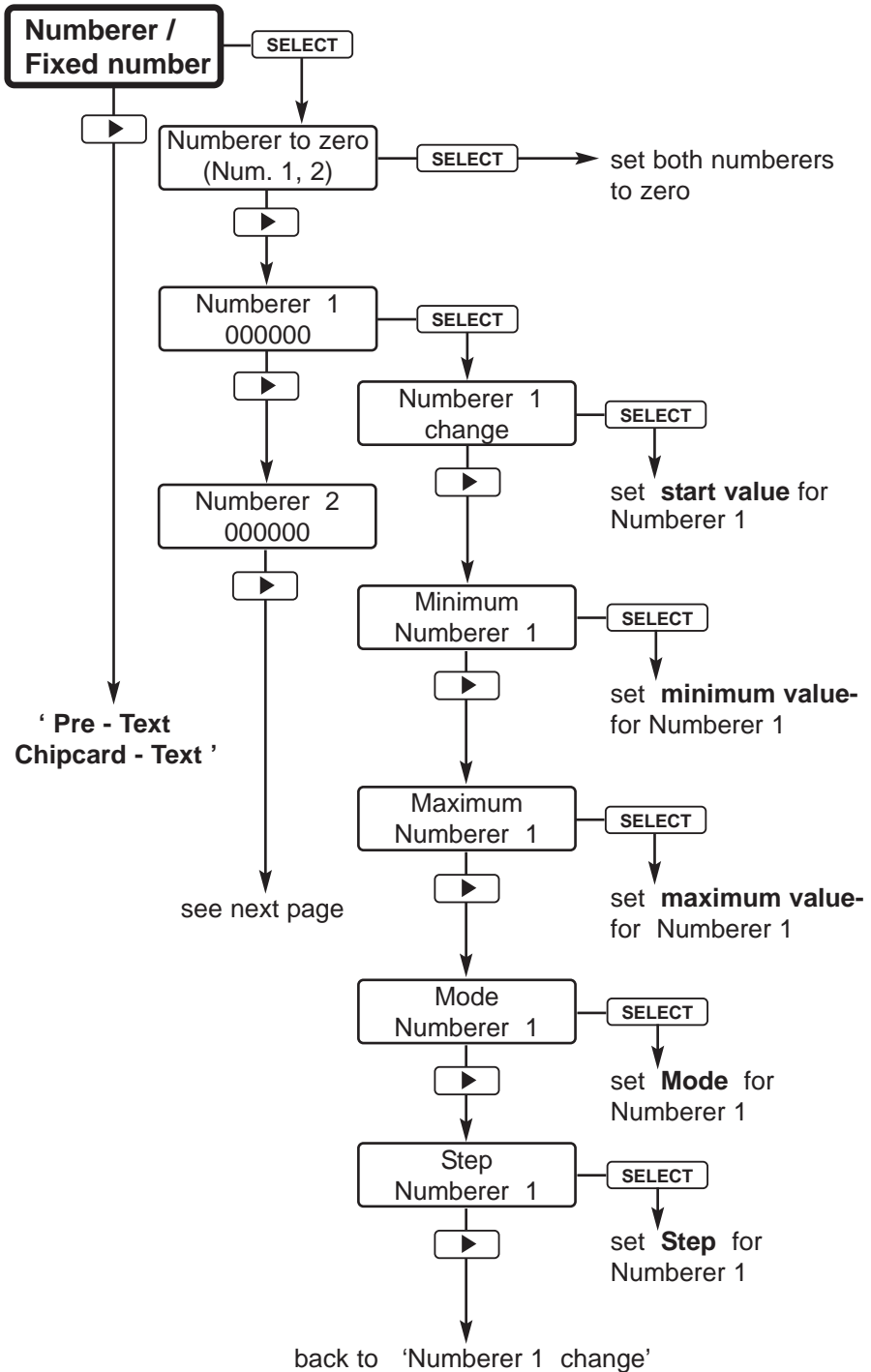
## Switch over of Numberer manually

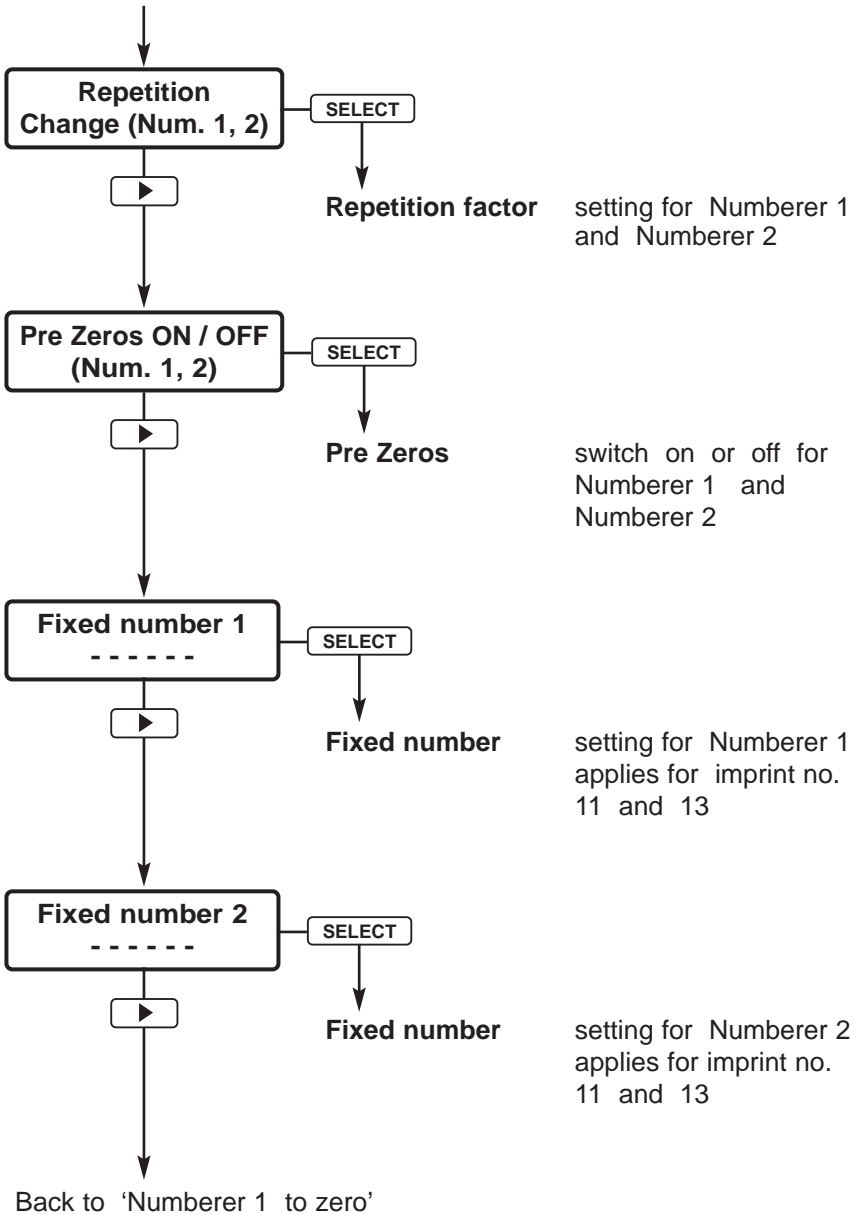
The Numberer can be switched over quickly and simply by using the menu item 'Numberer' at 'User level / Desktop' (see page 17, 'User level / Desktop')



For an exclusive manually switch over of the Numberer the 'Repetition factor' is to be set to '0'







## Menu item Pre - Text / Chipcard - Text



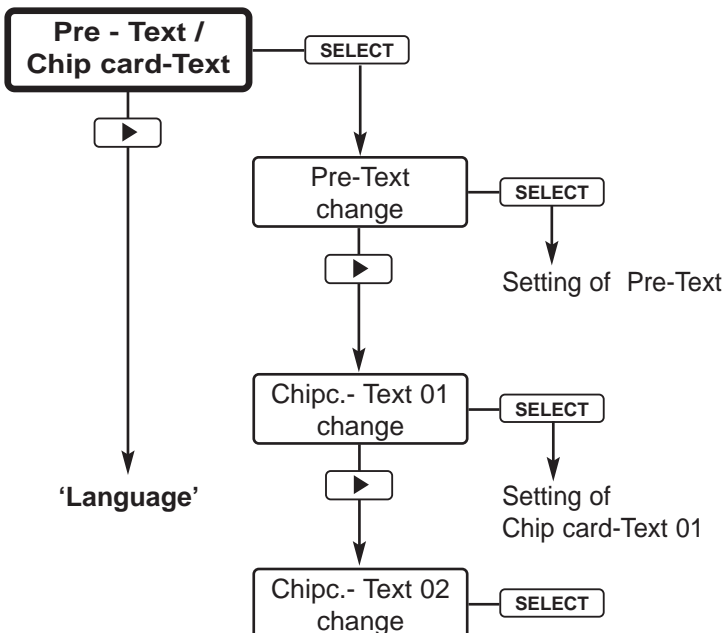
### Pre - Texts

- These cannot be used with all imprints (see also pages 22 ... 26, 'Stored imprints')
- 12 stored pre-texts, each with a maximum of five characters, are available in each language
- The selection of - - - - - means, that the Pre-Text is switched off



### Chipcard texts

- Menu item can only be selected if the chip card has previously been activated (see page 38, 'Settings'). In addition, Imprint No. 00 must be selected. Following insert the chip card with changeable texts into the chip card reader
- A maximum of 12 texts can be stored on a chip card



## Stored Pre - Texts:

RECV D

SENT

FILE

INV.

ORDER

ENT. D

DRAFT

PAID

RECPT

FAX

ORIG

REG. D.

----- = no Pre - Text

## Menu item Language



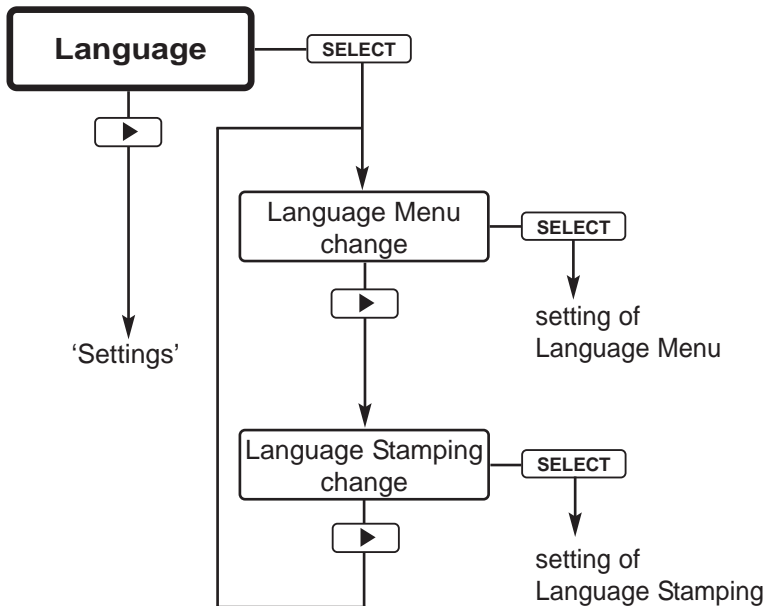
### Language Menu

- Presentation of the menu in the languages
- The following languages are available: German, French, English, Italian, Spanisch, Portuguese



### Language Stamping

- Linguistic presentation of the dot-matrix imprints
- There are 17 languages available
- Linguistic presentation is restricted to the pre - texts of the imprints and the names of the months



## Menu item Settings



### Chipcard

- ON / OFF  
ON = chipcard activated  
OFF = chipcard deactivated
- Change chip card key number.  
This menu item is password-protected.  
Only the responsible dealer has access to it.

### Trigger

Setting of the trigger mode  
There are three different ways of triggering printing:

- triggering only by the document table
- triggering only by the trip switch only
- triggering by the Table or by the trip switch

### Password menu

- ON / OFF  
ON = password protection for menu access is activated  
OFF = password protection is deactivated
- change password Menu

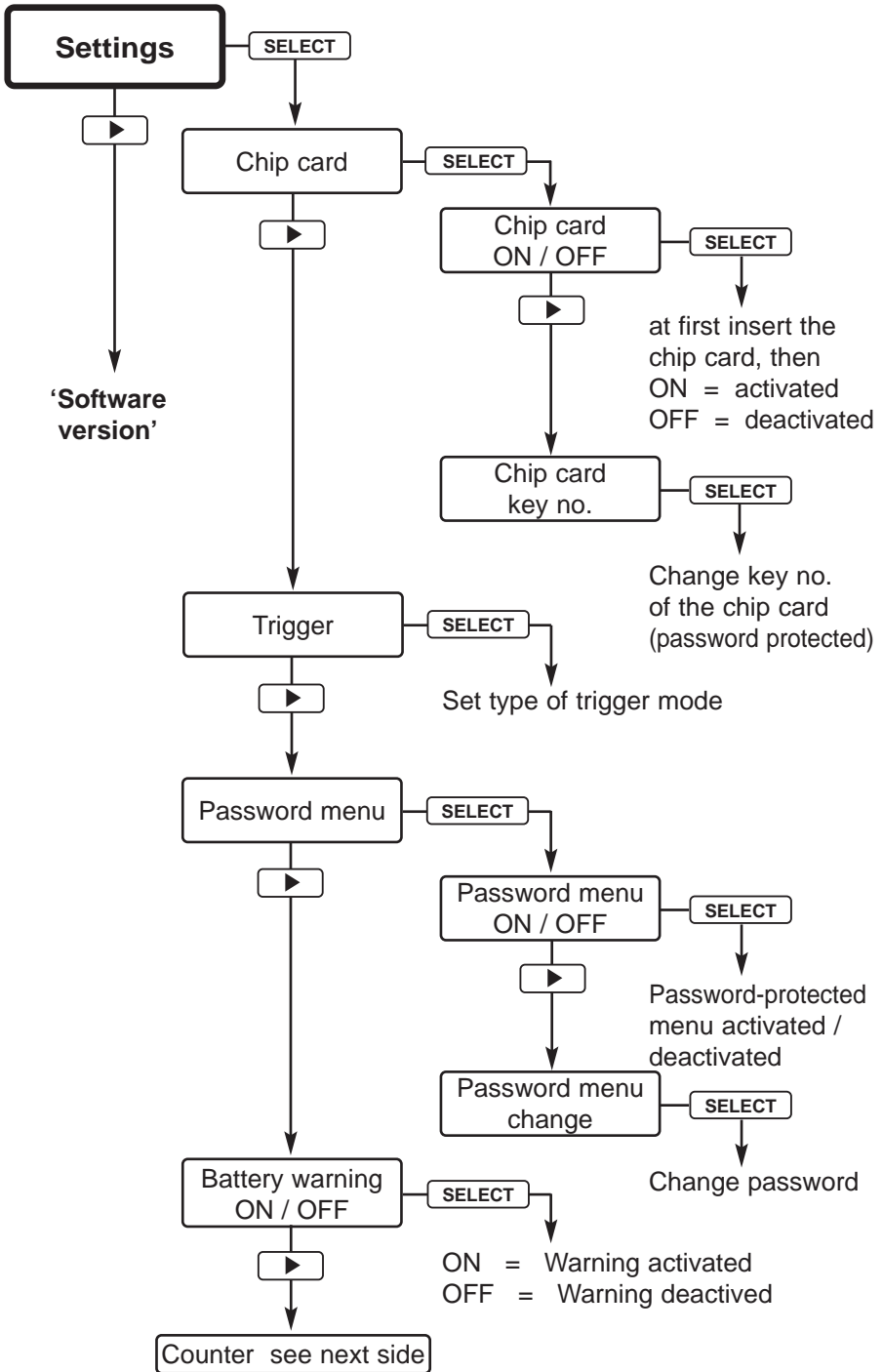
### Battery warning

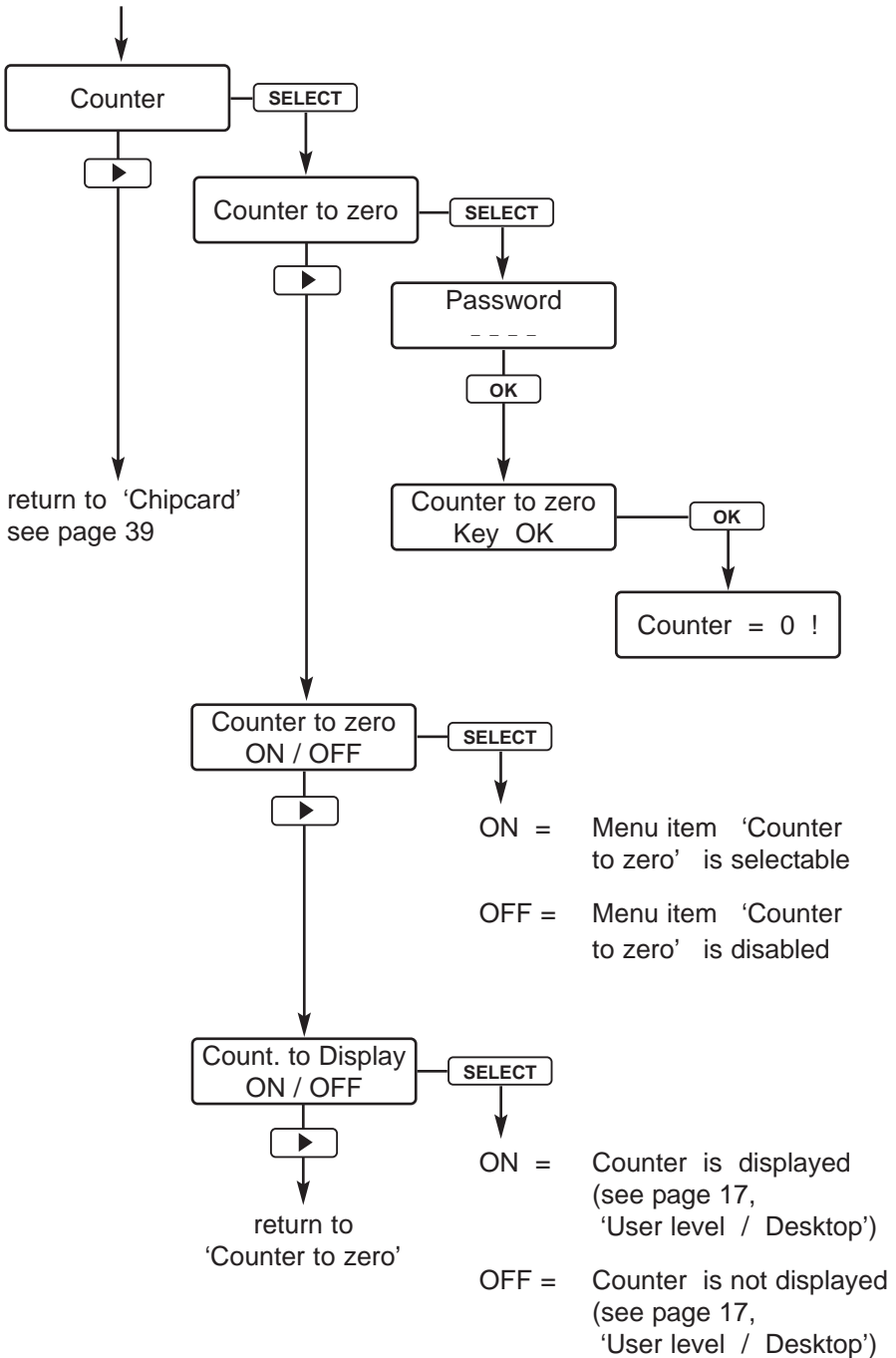
- ON / OFF  
ON = A warning appears in the display if the batteries are too low or empty.  
This warning appears once a day.
- OFF = Warning deactivated

^

### Counter

the actually number of printed documents can be displayed







## Chip card functions

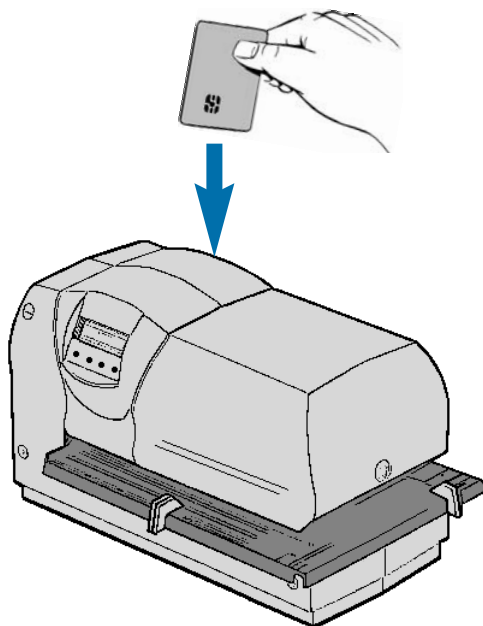


With the programmable REINER chip cards, the following functions are also available on the machine:

- Key function
- Key function + Print supplementary operator identification
- Key function + Individual imprint on the chipcard
- Key function + Individual imprint + supplementary operator identification

To use these functions, the chipcard function must be activated in the menu (see pages 38, 39)

Insert the chipcard vertically into the card slot until it stops; the chip must be on the side towards the operator.  
The imprint on the card will now appear in the display.



## Key function



### Note

- Once the chipcard function has been activated, the machine will only print when a chipcard is inserted. If there is no chipcard in the machine, the display will show **Insert chipcard**.
- 'Password Menu' should be activated to prevent the deactivation of the chipcard by unauthorized persons

## Operator identification on the chip card



### Note

- A user code stored on the chipcard can be stamped at the end of an imprint stored **in the machine**, or with an individual imprint stored **on the chipcard**. To make this possible, the chipcard function must be activated (see menu 'Settings / Chipcard', pages 38, 39) and the desired imprint number must be entered. After inserting a chipcard, the stamping operation can be triggered.
- The maximum width of an imprint is 60 mm, i.e. the user code cannot be stamped with all imprints (see pages 22 ... 26, 'Stored imprints')

### Example of imprint:

123456 15.12.11 08:45 BSP ← Operator identification

## Individual imprint on the chipcard



### Note

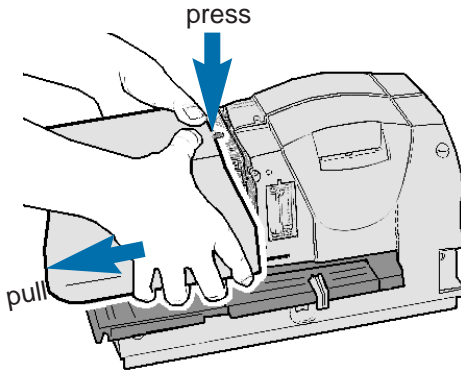
To use an individual imprint stored on the chipcard, the following conditions must be fulfilled:

- The chipcard must be activated (see pages 38, 39)
- Imprint No. 0 must be selected (see page 22)

## Replacement of the ink - ribbon cassette

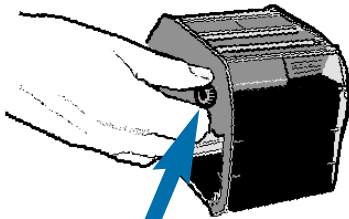


A replacement of the ink-ribbon cassette is necessary when the imprint of the printing plate or the dot-matrix imprint is faint or incomplete.



### ▶ remove the cover

Grasp the cover with both hands and press down on the centre of it with both thumbs to unlock it. Draw the cover towards you and remove it.



### ▶ remove the old ribbon cassette

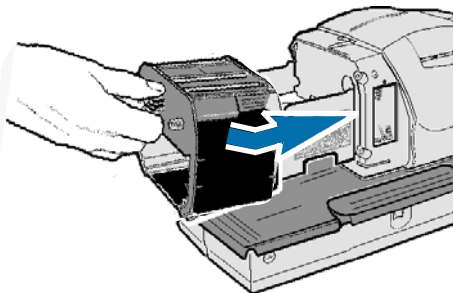
### ▶ tension the new ink ribbon

Turn the knurled wheel about one turn in anti-clockwise direction



### ▶ insert the new ink - ribbon cassette

hold the ink-ribbon cassette by the knurled wheel, place it askew on the guide and push it in direction of the arrow to the stop.



### ▶ fasten the cover

## Replacement of the printing plate

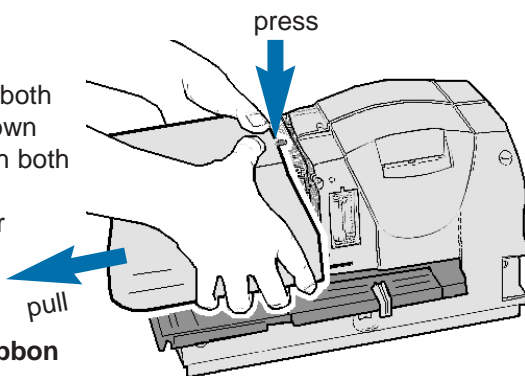


### Note

- With a few simple operations a different printing plate can be fitted
- After a replacement of the printing plate it can be necessary to readjust the printing roller. In this case, please contact your specialised dealer

#### ▶ remove the cover

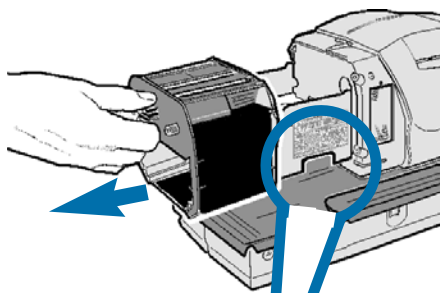
Grasp the cover with both hands and press it down on the centre of it with both thumbs to unlock it and remove the cover



#### ▶ remove the ink - ribbon cassette

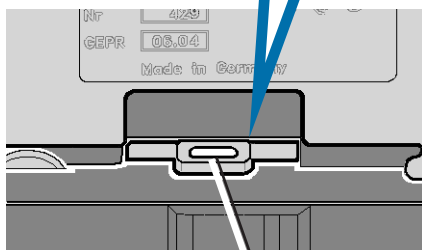
#### ▶ remove the printing plate

Use the grip (1) to pull out the printing plate



#### ▶ insert the printing plate

Hold the grip (1) and push the printing plate to its stop



#### ▶ insert the ink - ribbon

#### ▶ replace the cover

1

## Safety lock of the printing plate



The attachment of the optional available safety lock (Order no. 736 071 - 000) prevents an unauthorized removing of the printing plate

▶ **remove the cover** see page 43

▶ **remove the ink - ribbon cassette** see page 43

▶ **put in or remove the safety lock**

The safety lock is accessible at the rear side of the machine (see figure A)

Installation: Take the safety lock with the key, put it in the socket joint, turn the key to the right and replace it (see figure B)

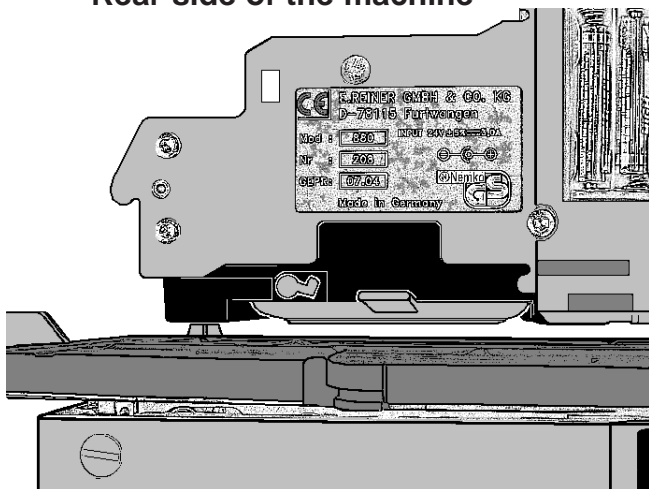
Removal: Put in the key to the safety lock. Turn the key to the right and pull it out (see figure B)

▶ **replace the ink - ribbon cassette** see page 43

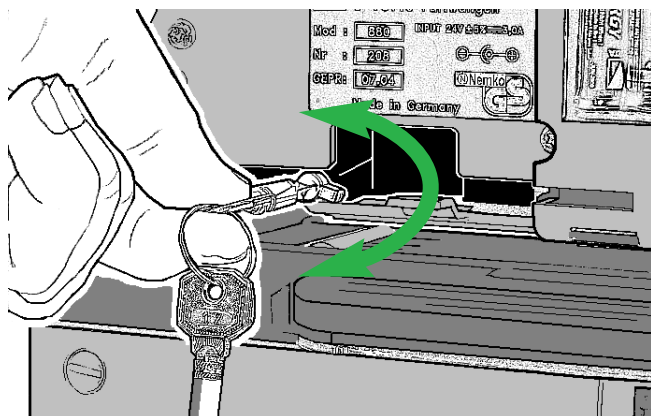
▶ **replace the cover** see page 9

## Rear side of the machine

**A**



**B**



## USB interface



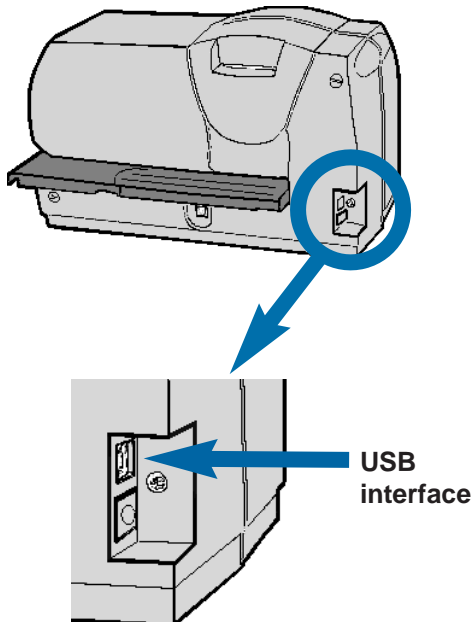
### Note

- The USB interface (Version 1.1) enables the connection of the machine to a PC
- The connection can also be used as a printer interface. Data can be taken from an application program, transmitted to REINER 880, and be printed directly.
- An interface description to develop an application program is available from REINER



### Warning

Electrostatic discharges at the interface connection can cause problems and malfunctioning of the machine



## Cleaning jobs at the machine

### Cleaning of the casing



**Warning**

The casing parts are varnished. To clean the casing parts, do not use abrasive cleaners or cleaning agents that attack plastic parts. Take care that no liquid gets inside the machine.



**Note**

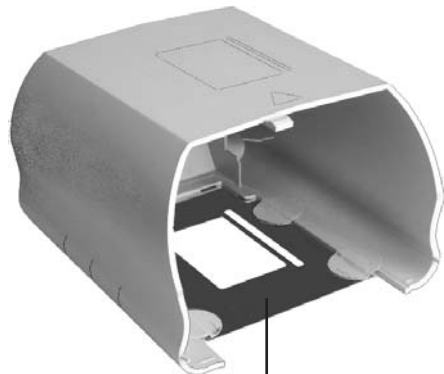
The casing surface of the machine can be cleaned with a soft cloth. For more resistant soiling, the cloth can be moistened with water and a mild washing-up liquid.

### Cleaning of the printing plate

Hard soilings on the printing plate is mostly caused by dry ink. Soiled printing plate fails the imprint, it may block the transport of the ink ribbon cassette and by this it may cause a failure of the machine

### Cleaning of the ink - ribbon mask

- ▶ remove the cover and place it on a stable surface
- ▶ clean the inner side of the metal ink - ribbon mask with a soft cloth. For more resistant soiling, the cloth can be moistened with water and with a mild washing-up liquid.
- ▶ replace the cover



**Ink - ribbon mask**



## User's hints and error codes

Display	Cause	Remedy
Batteries empty Change batteries	Batteries are empty or Battery-voltage too low	<ul style="list-style-type: none"> <li>• Fit new batteries</li> <li>• press [ OK ] message appears only once a day</li> </ul>
Battery box is empty	Battery box is empty or Batteries wrong inserted  Batteries don't touch the contact pins	<ul style="list-style-type: none"> <li>• insert batteries</li> <li>• check the poles of the batteries and insert it repeatedly</li> <li>• connect batteries with the contact pins</li> </ul>
Insert chipcard	Chipcard not inserted completely or it was inserted mirror-inverted	Insert chipcard correctly or reinsert it the right way round
Display is dark	880 is not connected to mains	Connect 880 to mains
Line 2 of chipcard is ignored	880 cannot use second chip card line	Press [ OK ], only line 1 will be used
Warning 02 Imprint empty	Selected imprint number is not valid	Select valid imprint
Warning 04 EEPROM error	EEPROM error	Press [ OK ], if necessary inform dealer or Technical Service
Warning 08 Imprint too wide	Imprint exceeds the maximum width of 60 mm	Press [ OK ], then shorten the imprint (eg switch off pre-text)

more error codes see next side

<b>Display</b>	<b>Cause</b>	<b>Remedy</b>
Warning 10 Print operation	Print operation not completed Ink ribbon cassette hard moving	Press [ <b>OK</b> ], check ink-ribbon cassette, if necessary replace the ribbon cassette
Warning 11 Step > 10	Numberer 1: step is more than - or equal to 10, but the Numberer of the imprint is single digit	Press [ <b>OK</b> ], then select a step less than 10 using the menu
Warning 12 Step > 10	Numberer 2: step is more than - or equal to 10, the Numberer of the imprint is single digit	Press [ <b>OK</b> ], then select a step less than 10 using the menu
Warning 15 Change chipcard	Chipcard inserted incorrectly into the chipcard reader or chipcard is invalid	Insert chipcard correctly or use a valid chipcard
Warning 16 Not Reiner PIN	not a REINER chipcard	Use a REINER chipcard
Warning 17 Key error	Key number of the chipcard does not agree with the machine settings	Correct the key number of the chipcard or change the settings
Warning 18 Data not ok	Chipcard data are not plausible	Possibly reading error, insert the chipcard again
Warning 21 Prog. no. > 0 not ok	Chipcard has imprint number above 0	Enter imprint number 0 on the chipcard

## Reset

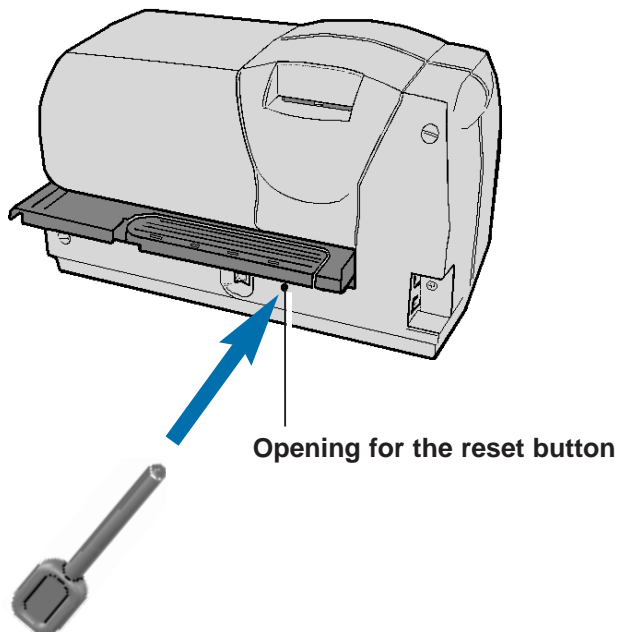


Use the reset button if 880 is in an undefined condition, or if there are confused characters in the display.

With a reset, the machine restarts its program and the device will be set to a defined condition.

### Execution of the reset :

- ▶ use the reset pin; this is included in the ' Depth-Stop contact set ' (see page 6)
- ▶ Insert the reset pin into the opening at the rear of the machine and press the reset button



## Technical data

Dimensions (W x D x H in mm)	336 x 166 x 198
Weight	approx. 6,9 Kg
Printing system	9 - pin dot matrix print head and Roller printer
Ink ribbon capacity	approx. 800.000 characters approx. 16.000 imprints (with text plate)
Stamping time Stamping sequence	approx. 0,6 second max. 1,2 second
Ambient temperature for operation	+ 10° C ... + 40° C down to - 8° C may be possible
Temper. for transport and storage	- 40° C ... + 70° C
Humidity for operation	30% ... 70% relative humidity
Humidity for transport and storage	10% ... 90% relative humidity
Power supply	via mains unit supplied Protection Class II
Input to power supply	100 ... 240 V ~ / 50 ... 60 Hz / 1,5 A AC
Output from power supply	24 V DC / 3,0 A
Noise level	< 70 dB(A) (workplace-related emissions to ISO 7779)

## Certifications



### Tested safety

Reiner 880 is manufactured to the safety standard EN 60950 - 1



### Marking

Reiner 880 complies with EC directive 2004 / 108 / EG 'Electromagnetic compatibility'

Warning ! Reiner 880 is an establishment of class A  
This means class A may cause radio interferences in the living area. In this case, from the operating company can be demanded the adequate safety precautions.



Electro- and electronic appliances are off the point of domestic waste or residual waste.

Used batteries are off the point of domestic waste or residual waste. They have to be disposed of corresponding ordinances.



# REINER

Ernst REINER GmbH & Co. KG  
Baumannstr. 16  
D - 78120 Furtwangen

Phone	+49 7723 6570
Fax	+49 7723 657 200
E - Mail	<a href="mailto:reiner@reiner.de">reiner@reiner.de</a>
Internet	<a href="http://www.reiner.de">www.reiner.de</a>