

Operating Instructions

Washing Machine

Cylinda Sverigetvätten 11

Dear Cylinda customer!

Welcome to the family of Cylinda customers.

We hope that you will have many years of use from your new machine.

The machine has many features. To make the most of its functions, we recommend that you read the operating instructions before using the machine. The operating instructions include information on how you can help protect the environment.

Cylinda

Quick guide

1 Washing

1. Empty pockets and refasten zips.
2. Read the item's laundry label.
3. Sorting laundry.

NOTE!


Place underwired bras in a laundry net.

2 Load the laundry

1. Press the main power switch.
2. If the washer door is closed, press the Door opening button (key symbol) and the door will open.
3. Load the washing and close the washer door.

3 Detergent compartment

1. Pour detergent into the main wash compartment, and pre-wash compartment as well if required. Pour

fabric softener into the compartment on the right with the -symbol.

2. If you use liquid detergent, follow the detergent manufacturer's recommendations.

4 Select the programme

1. Select a programme by turning the programme selector.
2. Select any options and settings.
3. Press the Start/Stop button.

5 Program finished

1. The text "End" on the display indicates that the wash programme has finished.
2. The washer door opens automatically once the programme has finished.
3. Remove the load.
4. Turn off the main power switch.

If you have small children or pets at home, close the washer door once you have removed the laundry.

Contents

Before using your machine for the first time	5	Washing	12
Transport protection	5	Sort your laundry.	12
Packing material	5	Turn on the main power switch	12
Washer door	5	Open the washer door and load the washing	12
Checking water hardness	5	Add detergent and fabric softener, as required	12
Safety instructions	6	Select the programme	13
General	6	Select options	16
Installation	6	Close the washer door and press the Start/Stop button	17
Overflow guard function	6	Once the program has finished	17
Transport/Winter storage	6	Settings	18
Recycling	6	You can change the following settings:	18
Child safety	7	Door opening	18
Keep an eye on children!	7	Extra rinses	18
Description of the washing machine	8	Care and cleaning	19
Detergent compartment	8	Cleaning the trap and the drainage pump	19
Advice and tips before washing	9	Cleaning the detergent compartment	19
Sorting your laundry	9	Cleaning the outside of the machine	19
Clothing	9	Cleaning the inside of the machine to avoid unpleasant smells	20
Laundry labels	9	Rinse holes under the agitator	21
Laundry label symbols	9	If you have hard water	21
Coloured cotton	9	Troubleshooting	22
Unbleached linen	9	The washer door will not open	22
Wool	10	The machine will not start	22
Rayon fibres and synthetic fibres	10	Error messages	23
Reducing allergic reactions	10	Technical information	24
Save time and energy	10	Technical data	24
Economy and efficiency	10	Information for test institute	24
Detergents	10	Transport protection	25
Dyeing fabrics	10		

Contents

Installation	26
Positioning the washing machine	26
Adjusting the feet	26
Connection to water supply	26
Drainage connection	26
Electrical installation	27
Service	28
Before contacting the service division	28

Before using your machine for the first time

Transport protection

Remove any transport protection devices before installing the machine. See the "Transport protection" chapter.

Packing material

Please sort waste materials in accordance with local guidelines.

Washer door

- The washer door cannot be opened until the machine is connected to the electricity supply.
- To open the door manually, see "The washer door will not open" in the "Troubleshooting" chapter.
- The machine cannot be started when the door is open.
- To open the washer door while a programme is running, see "Close the door and press the Start/Stop button" in the "Washing" chapter.

Checking water hardness

The quantity of detergent needed depends, amongst other things, on how hard the water is. See the detergent pack for details. Phone your local water company to check the water hardness in your area.

NOTE!

Each machine is tested before leaving the factory. A small amount of water may remain in the drain pump, though this does not affect quality or damage the machine.

Safety instructions



General

- Read the operating instructions and keep them in a safe place.
- Installation of water and electricity, if required, should be carried out by a qualified professional.
- The machine should only be used for washing items as described in these instructions. It is not intended for dry cleaning.
- Use only detergent intended for machine washing!
- Remove any transport protection devices before using the machine. See the "Transport protection" chapter.
- Repairs and maintenance relating to safety or performance must be carried out by a qualified professional.
- Damaged mains cables must only be replaced by a qualified electrician.
- The machine is not designed to be used by persons (even children) that are physically or mentally handicapped or lack experience and knowledge. Such persons must receive instruction in how to use the machine from the person responsible for their safety.
- Children must be watched to ensure they do not play with the machine.
- In the enclosed plastic bag you will find a tool for opening the washer door in emergencies.

Installation

See the "Installation" chapter.

Overflow guard function

If the machine's water level rises above the normal level, the overflow guard function begins to pump water out and shuts off the water intake. If the water level has not dropped within 60 seconds, the program is terminated.

Transport/Winter storage

If the machine is to be transported or stored in unheated premises where the temperature can fall below freezing, do as follows:

- Empty the filter and the drainage pump. See the "Care and cleaning" chapter.
- Shut off the water to the washing machine, loosen the supply hose to the intake valve and let the water run out from the valve and hose.
- After emptying the pump, a small amount of water may remain in the machine. This does not affect quality or damage the machine.

Recycling

This machine is manufactured and labelled for recycling. In order to prevent injuries, the machine must be made unusable once the decision has been taken to dispose of it. Contact your local authority for information about where and how your machine can be recycled correctly.

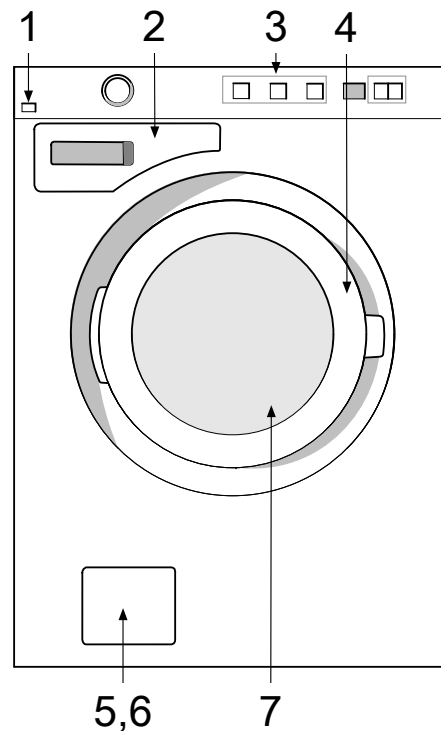
Child safety

Keep an eye on children!

- Always close the washer door and start the programme immediately after you have added detergent.
- Do not allow small children to use or play with the washing machine.
- Store detergent and fabric softener out of the reach of children.

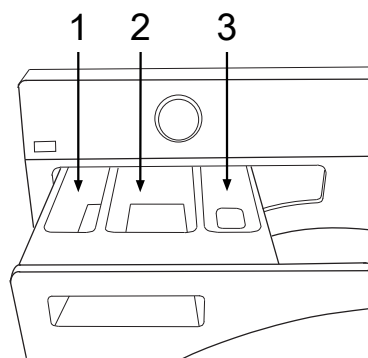
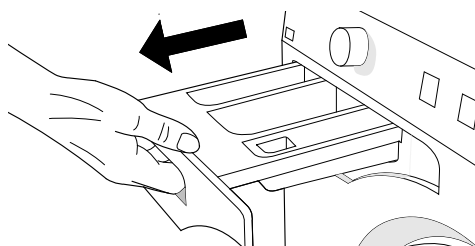
Description of the washing machine

1. Main power switch
2. Detergent compartment
3. Programme panel
4. Serial number plate (on inside of washer door)
5. Drainage pump cover
6. Drainage pump (behind cover)
7. Washer door



Detergent compartment

1. Pre-wash
2. Main wash
3. Fabric softener



Advice and tips before washing

Here are some tips that may help you before washing.

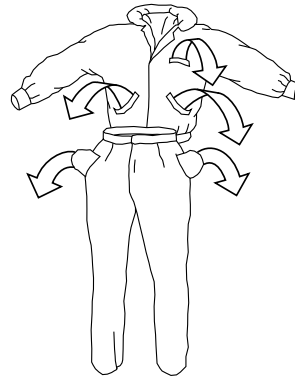
Sorting your laundry

Sort items according to:

- how soiled they are
- colour
- material

Clothing

1. Do up zips and close Velcro straps so that they don't harm fabrics.
2. New coloured items may contain excess dye and should therefore be washed separately the first few times.
3. Turn delicate items inside out. This reduces the risk of burling and fading.
4. Empty pockets and wash them inside out if possible.








Laundry labels

Look at the item's laundry label. The table below shows suitable wash programmes for different materials and wash loads. Using modern washing machines and detergents, for example compact detergents, you can usually wash at lower temperatures. It is a good idea to use trial and error to find out what produces the best results.

Laundry label symbols

Examples of washing instructions and recommended programmes. Always follow the washing instructions for each garment.

Laundry labels	Material	Program	Load
	Cotton, linen, white and light-coloured items.	Colour/White 60 °C to 95 °C	1/1 drum
	Cotton, linen, cotton/polyester. Light and dark-coloured garments.	Quick 60 °C	1/2 drum
	Acrylic, viscose, modal, acetate, polyester, polyamide and elastane. Light and dark-coloured garments.	Easy Care 40 °C	1/2 drum
 or 	Wool, silk and other very delicate garments	Wool/hand wash 30 °C to 40 °C	1/3 drum

Coloured cotton

Coloured cotton items with the washing instruction 60 °C should be washed at 60 °C for the first time in order to remove any excess dye. If you do not do so, there is a risk that the colour will run. Use detergent without bleach in order to preserve the colour of the fabric.

Unbleached linen

Unbleached linen fabrics should be washed at 60 °C, using detergent containing no bleach or optical whiteners. Heavily-soiled linen can occasionally be washed at higher temperatures, but not too often because the heat can destroy the linen's shine and strength.

Advice and tips before washing

Wool

These fabrics are labelled either machine wash or hand wash. The Wool/hand wash programme is at least as gentle as washing by hand.

Wool is especially sensitive to processes such as washing.

If you do not wish to spin dry, you can squeeze out the water using terry towels. In this case select No spin.

To find out how to choose this setting, see the "Washing" chapter. However, most garments can withstand a short spin. Choose a short spin by selecting a spin speed of 800 rpm or less.

Rayon fibres and synthetic fibres

Materials made of rayon fibres, such as viscose, and some synthetic fibres are very delicate and require much space so as not to crease. Only half fill the drum when washing and choose a spin speed of 800 rpm or lower.

NOTE!

Viscose and acetates are fragile when wet.

Reducing allergic reactions

The washing machine has a Super Rinse option. Use this for people with sensitive skin, such as those with allergies and small children.

Save time and energy

Use the Colour/White programme to save time and energy. This programme has a shorter main wash than Normal, but is often sufficient for lightly soiled washing.

Economy and efficiency

You can save a lot of energy by not using higher temperature programs than necessary.

- Select Quick if you just need to freshen up shirts or exercise clothes, for example. This will save both water and energy.
- If you select a fast spin speed, this reduces energy consumption when drying in a tumble dryer or drying cabinet.
- Always wash with a full load when using the Heavy, Colour/White and Normal programmes.
- Avoid pre-washing. Modern machines and detergents clean effectively without pre-washing. Pre-washing is only necessary for heavily soiled washing.

Detergents

Eco-labelled detergents are less harmful to the environment.

Detergent overdosing does not give better washing results; it merely causes a greater impact on the environment.

Try to use less detergent, and increase only if you are not satisfied with the results.

Dyeing fabrics

If you want to dye fabrics in the machine, select the Colour/White programme with the Super Rinse option. Select temperature according to the dye manufacturer's recommendations.

Choose a low spin speed if the fabric to be dyed is a blended material such as polyester/cotton.

NOTE!

Add the dye directly to the washing drum – not to the detergent compartment. After dyeing, you should run the machine empty using the same program. Use the normal amount of detergent.

Advice and tips before washing

NOTE!

Due to environmental concerns, we discourage the use of strong chemicals.

When using agents for bleaching or stain removal, there is a risk of rust (corrosion) and discolouration of the machine.

Washing

1 Sort your laundry.

See the "Advice and tips before washing" chapter.

Place underwired bras in a laundry net.

Empty pockets. Coins, nails and the like can cause damage to the machine and fabrics. See the "Advice and Tips" section before washing.

2 Turn on the main power switch

3 Open the washer door and load the washing

If the washer door is closed, press the Door opening button (key symbol). The door opens once all water has drained from the machine. Load the washing. The wash programme chart shows how much washing can be washed with each programme.

4 Add detergent and fabric softener, as required

The detergent packaging will have recommendations for how much detergent you should use. The machine holds 8 kg of washing. If you only have a small amount of laundry in the machine, you can reduce the amount of detergent used.

Powder detergent

Pour the powder into the compartment for the main wash, and pre-wash as well if desired.

Liquid detergent

When using liquid detergent, follow the detergent manufacturer's recommendations. We recommend always using a wash ball with very thick liquid detergent.

Wash ball or net


If you use a wash ball or net, place it directly in the drum and select a programme without pre-wash.

NOTE!

Detergent overdosing does not give better washing results; it merely causes a greater impact on the environment.

Try using less detergent, and increase only if you are not satisfied with the results.

Fabric softener

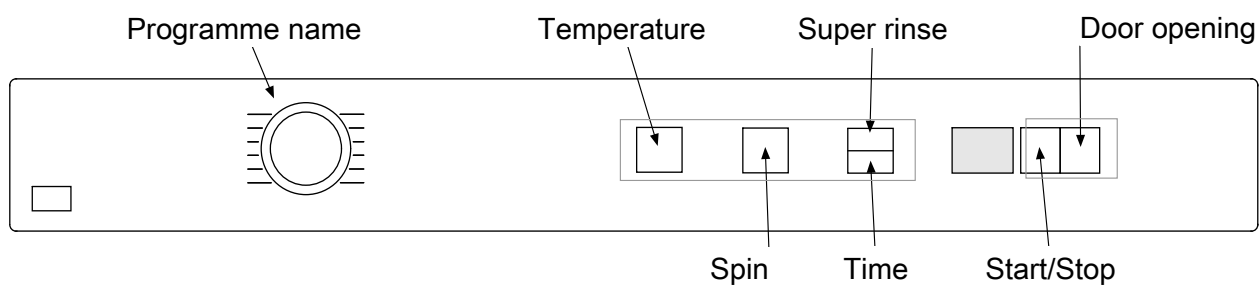
Pour the fabric softener into the compartment with the  symbol. Follow the recommendations on the fabric softener packaging.

NOTE!

Do not fill above the compartment's maximum fill level. Otherwise fabric softener will run in too early, which impairs the washing effect.

Washing

5 Select the programme



You select a programme by turning the programme selector. An LED lights up beside the selected programme and the estimated programme time is shown on the display. Use the option buttons to select any options.

1. Auto

This program automatically adjusts the length of the main wash and the number of rinses to the amount of laundry loaded in the machine.

2. Heavy

Programme for heavily soiled laundry, with dirt that needs to be fully dissolved before the main wash. A pre-wash is used to do this. You can select the temperature freely, so follow the washing instructions for each garment. The highest temperature, 95 °C, is suitable for very heavily soiled laundry. The spin speed can be selected freely. The machine adapts the programme time and water consumption to the load size.

3. Normal

Program for normally to heavily soiled laundry, whites and colors. You can select the temperature freely, so follow the washing instructions for each garment. 60 °C is a good temperature for heavily soiled cotton garments, as well as for garments worn next to the skin. Select 40 °C if the laundry is less soiled. The spin speed can be selected freely. The machine adapts the program time and water consumption to the load size.

4. Colour/White

A standard programme for lightly to moderately soiled laundry. The temperature can be selected freely, so follow the washing instructions for each garment. Garments worn next to the skin ought to be washed at 60 °C. Very lightly soiled laundry often comes clean already at 40 °C. The spin speed can be selected freely. The machine adapts the programme time and water consumption to the load size.

5. Quick

Fast program for laundry that just needs freshening up. The program can be run at any temperature, so follow the washing instructions for each garment. The lower the selected temperature, the shorter the program time. Garments worn next to the skin ought to be washed at 60 °C. The spin speed can be selected freely.

Washing

6. Easy Care

Programme for synthetic, mixed fibre and easy care cotton. The programme has a high water level and as such is also suitable for cushions, quilted jackets and the like. Read the washing instructions carefully and remember, for example, that fabric softener must not be used with the membranes found in some outer garments. A washing temperature up to 60 °C and a spin speed up to 1200 rpm can be selected.

7. Synthetics

Programme for delicate garments made of synthetic fibre, mixed fibre, rayon and easy care cotton. The maximum temperature is 60 °C, but follow the washing instructions for each garment. Many synthetics will come clean at 40 °C. Garments worn next to the skin ought to be washed at 60 °C. The maximum spin speed is 800 rpm.


8. Wool/hand wash

A gentle laundry programme for wool, silk and garments that should be washed by hand. The highest temperature is 30 °C. This programme has a short spin. The maximum spin speed is 800 rpm.

9. Rinse

This program performs one cold rinse cycle + spin. Suitable for laundry that just needs to be dampened and for cleaning cloths and mops.

10. Spin & Drain

Used to just spin the wash. If you only want to drain the machine of water, select the  symbol (no spin).

Washing

Programme chart

Program	Pre-wash	Temp. °C	Number of Rinses	Spin Speed rpm	Max. load (kg)	Water consumption (approx. liter)	Energy consumption (approx. kWh)	Programme time (approx. hrs and min.)
1. Auto		¹⁾						
2. Heavy	X	95	5	1400	8	85	2,2	2:45
	X	60	5	1400	8	75	1,2	2:40
3. Normal		60 ²⁾	5	1400	8	75	1,20	3:20
		40 ³⁾	5	1400	8	75	0,67	3:04
4. Colour/White		60	5	1400	8	70	1,2	1:45
5. Quick		40	2	1400	4,0	25	0,4	0:45
6. Easy Care		40 ²⁾	2	1200	4,0	50	0,5	1:20
7. Synthetics		40	3	800	2,5	30	0,4	1:20
8. Wool/hand wash		30	3	800	2,5	70	0,5	0:45
9. Rinse			1	1400	4,0	15	0,1	0:18
10. Spin & Drain				1400	4,0		0,1	0:15

1) Short programme for test institutes, max. 1/2 load.

2) Test programme for cold water connection in accordance with EN 60456.

3) 40 °C programme for test institutes. The 40 °C option must be selected.

The above table presents a few examples of the energy, water and time consumption of a few different programme settings. Consumption can vary according to water pressure, water hardness, water supply temperature, room temperature, load weight and content, variations in the power supply and selected options. In the examples provided here the rinse setting is set to Normal and no options are selected.

Washing

6 Select options

You can select options to adjust the wash programme to suit your own specific requirements. The available options depend on the selected programme. If the option is available for the selected programme, the symbols light up when you press the button.

The machine will remember the options you select for each programme (with one exception – Delayed Start). You can still change the selected options the next time you select the programme in question.






Temperature

- Select the temperature by pressing the button until the LED by the desired temperature lights.
- You can select temperatures between 20 °C and 95 °C. For Wool/hand wash you cannot choose a temperature higher than 40 °C. For Synthetics or Easy Care the maximum temperature is 60 °C.



Spin

- Select the spin speed by pressing the button until the LED by the desired speed lights.
- You can select speeds between 400 and 1400 rpm, No spin or No drain. The maximum spin speed varies according to the programme selected, so check the LEDs around the button.
-  means that the programme does not include a spin cycle and ends by draining.
-  No drain means that the programme does not include a spin cycle and ends with the water from the final rinse still in the machine. The washing will remain covered by the water from the final rinse, stopping it from getting creased. If you have selected "No drain", you must select the Spin & Drain programme and the  symbol (no spin) once the programme has ended to drain the water from the machine before you open the washer door.



Delayed Start

When you select Delayed Start, the machine will start 1-24 hours after you press the Start/Stop button.

- Press the button by the symbol to activate Delayed Start.
- By pressing the button again you can delay the start in whole hours up to a maximum of 24 hours.
- Press Start/Stop, and the machine counts down 1 hour at a time and starts after the selected delay.

If you change your mind and want to cancel Delayed Start, you must press and hold Start/Stop for three seconds.

NOTE!

Remember to press the Start/Stop button to start the programme.

NOTE!

Make sure the detergent compartment is completely dry before you add detergent, otherwise there is a risk that the detergent will clump before the machine starts.

Washing

Super Rinse

Use the Super Rinse option if you want to increase the number of rinses. The maximum number of rinses is seven, and the number of rinses varies depending on the selected programme. Recommended for persons with extremely sensitive skin and/or in areas with very soft water. This option cannot be selected with Rinse or Spin & Drain.

- Select Super Rinse by pressing the button under the symbol.
- An LED next to the button lights when this option is activated.

7 Close the washer door and press the Start/Stop button **Time remaining**

When the programme starts an estimated programme time, in hours and minutes, is displayed. The remaining time is updated three times during the programme, based on the actual load and the incoming water temperature. The first update takes place after about 15 minutes. The remaining time is last updated just before the final rinse.

To add or remove washing after the program starts

If you want to add or remove items after the programme has started, you can stop the programme by pressing and holding the Door opening button (key symbol) for three seconds. The programme time flashes on the display. When you restart the machine, add any extra detergent needed and close the washer door. The machine continues automatically from the point where the programme was interrupted.

Stopping or changing a programme

You can stop a programme by pressing the Start/Stop button for three seconds. To restart the machine, select a new programme, add any extra detergent needed and press the Start/Stop button.

NOTE!

Do not open the detergent compartment while the machine is running.

8 Once the program has finished Once the programme has finished, "End" appears in the display.

The washer door opens automatically once the programme has finished. If you want to deactivate the automatic door opening function, see the "Selecting settings" section.

- Remove the load.
- Turn off the main power switch, this will save energy.

If you have small children or pets at home, close the washer door once you have removed the laundry.

Backlighting

Two minutes after the wash programme finishes the display backlighting enters energy saving mode.

Settings

You can change the following settings:

Automatic door opening.

Extra rinses.

Door opening

If you choose Automatic door opening the Washer door will open once the programme has finished.

1. Turn off the machine using the main power switch.
2. Press and hold the Super rinse button and then switch on the main power switch.
3. "AdO" is shown on the display if Automatic door opening is activated or "AdF" if the option has not been activated.
4. Press the Super Rinse button to change the setting.
5. Press the Door opening button to save the setting.

Extra rinses

Upon delivery, your washing machine is set to use five rinses in the Normal and Colour/White programmes.

If you want to reduce the number of rinses to three for these programmes, do as follows:

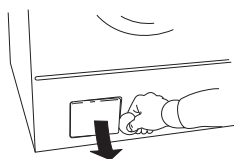
1. Turn off the machine using the main power switch.
2. Press and hold the Delayed start button and then switch on the main power switch.
3. The display shows "R O" if extra rinses (5 rinses) is activated or "R F" if it is not activated (3 rinses).
4. Turn the programme selector to change the setting.
5. Press the Door opening button to save the setting.

Care and cleaning

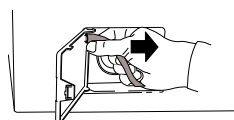
Cleaning the trap and the drainage pump

The washing machine has a trap where smaller objects such as coins and hairpins can collect. To clean the trap and the drainage pump, do as follows:

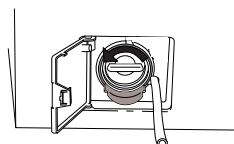
1. Make sure the machine is empty of water and switched off at the mains.



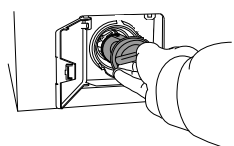
2. Open the door.



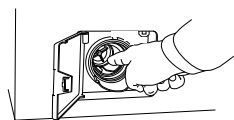
3. Unhook the drainage hose from the connector inside the door and drain the water into a suitable container, such as a shallow bowl.



4. Turn the cover anti-clockwise to open the pump. Remove the cover.



5. Remove any items and so forth from the pump housing and the cover. Also check that the pump blades right at the back rotate.



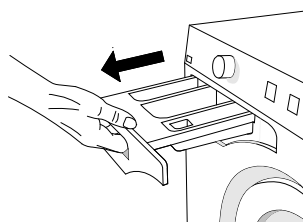
6. Screw on the cover, replace the drainage hose on the hatch pin and close the hatch.

Cleaning the detergent compartment

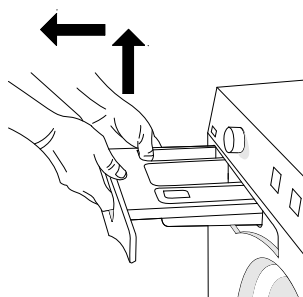
NOTE!

Do not run the detergent compartment through a dishwasher!

Pull the detergent compartment out as far as it will go.



Lift the detergent compartment as you pull it out to remove it from the machine.



Rinse the compartment and scrub it clean. The fabric softener compartment cover can be removed.

Cleaning the outside of the machine

Clean the outside of the machine and the program panel with a mild cleaner. Do not use any solvents, as these can damage the machine.

NOTE!

Do not hose down the machine with water!

Care and cleaning

Cleaning the inside of the machine to avoid unpleasant smells

Modern detergents often allow clothes to be washed at low temperatures. This means that small deposits can build up in the machine. These, in turn, may lead to unpleasant smells developing.

To avoid this, we recommend running a 95 °C wash programme once a month. When you do this, use a small quantity of detergent. It is not necessary to put any washing in the machine.

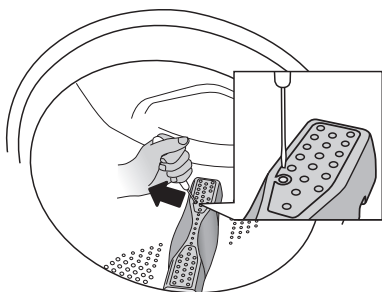
Care and cleaning

Rinse holes under the agitator

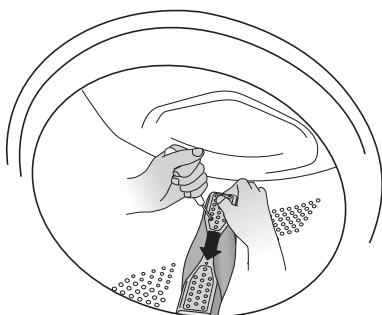
If you suspect that objects such as nails or paper clips may have fallen into the wash drum, you should check the space under the agitator. Such objects can rust and cause spots on clothing. Nails and other sharp objects can cause holes in fabrics.

Do as follows:

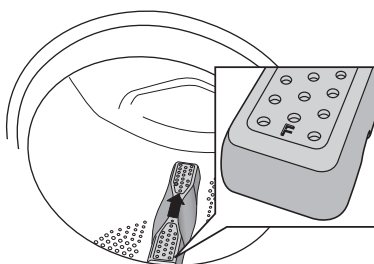
1. Insert a screwdriver or the like into the hole on the agitator as illustrated and carefully pry to the left.



2. Use your other hand to grasp the agitator and pull it towards you.



3. Lift the agitator.
4. Remove any objects.
5. Place the agitator in the mounting hole with the F-mark towards you. Ensure that all the agitator fasteners are in their holes in the drum. Push it in until it catches.



If you have hard water

If you live in an area with hard water (high limescale content), a greyish-white coating may form on the wash drum. To remove this coating, pour approximately 20 gram of citric acid into the wash drum and run any 95 °C programme. Repeat if necessary.

Troubleshooting

The washer door will not open


1. Check that the main power switch is on.
2. Is there power? Check your home's fuses (circuit breakers). The washer door cannot be opened with the door opening button (with the key symbol) if power is off.

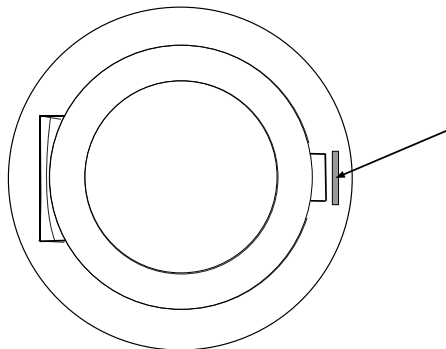
If nothing else works, the washer door can be opened as follows:

WARNING!



The door may only be opened manually if the electric power is cut and the machine has been drained of water.

- A Select the Spin & Drain programme and the option with the  symbol (no spin) to drain the water from the machine. If this does not work the machine must be drained manually. See "Cleaning the trap and the drainage pump" in the "Care and cleaning" chapter.
- B Ensure that the main power switch is turned off and that the plug has been removed from the wall socket.
- C Take the emergency door opening tool and place it in the gap on the right side of the washer door lock. This tool is found in the enclosed plastic bag.
- D Push the tool upwards to open the washer door.



If in the future the washer door does not open when the wash programme has finished, call the service division.

The machine will not start

1. Is the washer door properly closed? Push it firmly.
2. Is there power? Check the fuses and residual current devices (circuit breakers) in the building.
3. Check that you have not selected Delayed Start. To cancel Delayed Start, press the Start/Stop button for three seconds.

Troubleshooting

Error messages

If an error occurs during the programme a message is shown on the display. To exit the message after taking measures, turn the machine off and then back on.

The error messages that may be shown in the display are:

F10 Overfilling

1. Shut off the water tap.
2. See "Drainage error".

F11 Drainage error

Check:

- that no objects are stuck in the drainage hose outlet.
- that the drainage pump is not blocked by foreign objects. Clean the pump. See the "Care and cleaning" chapter.
- that there are no kinks in the drainage hose.

After taking measures, run the Drain programme or press the Door opening button (key symbol) to empty the machine. If this does not resolve the problem, call the service division.

F12 Water inlet fault

Check:

- that the tap on the water pipe is open.
- that the filter in the machine's water intake is not blocked.

Action:

1. Shut off the water tap.
2. Unscrew the hose.
3. Clean the filter in the intake valve on the machine.
4. Screw the hose back on.
5. Turn on the tap.
6. Run the program again to check if the fault is fixed.
7. If this does not resolve the problem, call the service division.

Imbalance

The machine stops the spin cycle if there is too much imbalance. The washing machine restarts the spin cycle and hopefully the washing is better distributed in the drum. This procedure can be repeated up to 10 times. If the machine still fails to find a good balance, the programme jumps to the next step.

The error message requires no action.

Technical information

Technical data

Height:	850 mm
Width:	595 mm
Depth:	585 mm
Weight:	73 kg
Cylinder volume:	60 l
Max. washing capacity:	8 kg
Spin speed (rpm):	400-1400
Rated power:	See type plate.
Heater output:	See type plate.
Water pressure:	0,1-1 MPa 1-10 kp/cm ² 10-100 N/cm ²
Wash drum and liquid compartment material:	Stainless steel
Outer casing material:	Powder-coated and hot-galvanized sheet steel or stainless steel.
Water connection:	1,5 m pex pipe
Drain:	1,7 m polypropylene hose 3/4 BSP connection

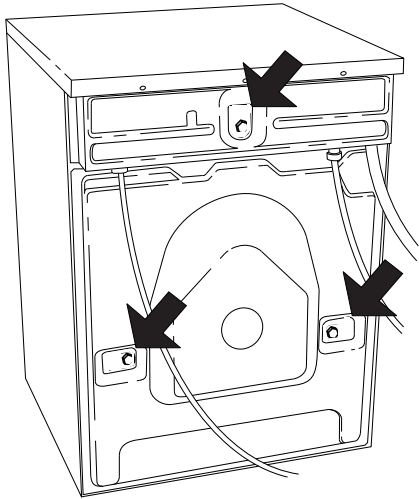
Information for test institute

Energy declaration

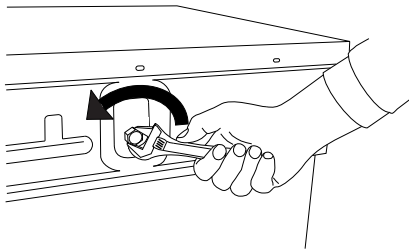
European test standard:	EN 60456
Washing program:	Normal 60 °C, 8 kg cotton
Connection:	Cold water 15 °C
Test method for noise measurement:	IEC-60704-2-4
Power requirement when machine turned off	< 0,3 W
Power requirement for Delayed Start	< 6,0 W
Power requirement when programme finished	< 3,0 W

Transport protection

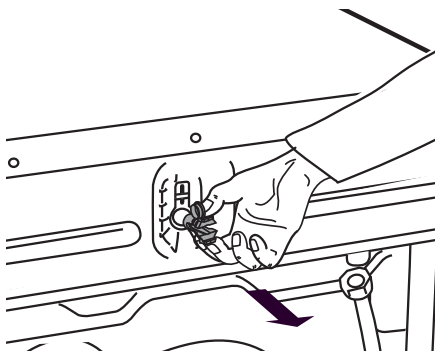
Remove the three transport bolts and the plastic plugs for locking the machine for transport before using the machine.



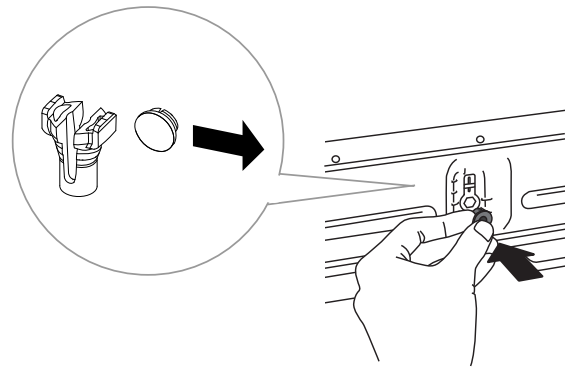
1. Loosen and remove the bolts as illustrated below.



2. To remove the plastic plugs that held the bolts, squeeze together and pull out.



3. Remove the plastic covers from the plugs. Push the plastic covers into the three holes that contained the plugs. Save the plastic plugs in case the machine is moved in the future.



NOTE!

If the machine is to be transported, the bolts and plastic plugs for locking the machine during transport must be installed to prevent damage to the machine through shaking. If the transport bolts or plastic plugs have been lost, you can order new ones from your retailer.

Article number	Designation
80 882 77	Screw
80 901 05	Plastic plug, transport lock

Order three of each item!

Installation

Positioning the washing machine

The washing machine can be installed as a built-in or freestanding unit. Position the machine so that the electrical plug is easily accessible.

A. Built-in

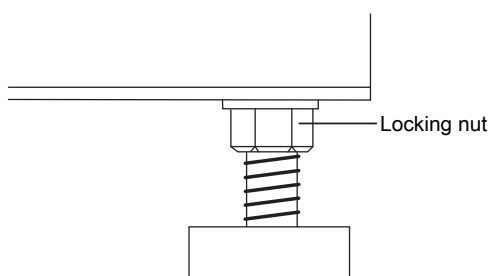
The washing machine can be installed under a counter top with a working height of 850-900 mm. Leave a 5 mm space around the entire machine, including between the rear edge of the top cover and the wall behind it.

B. Freestanding

The washing machine can be positioned beside or under a tumble dryer.

Adjusting the feet

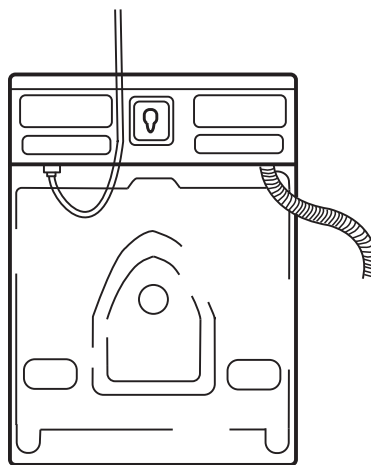
Keep the noise that the machine produces to a minimum by adjusting the feet so that the machine is steady and balanced on the floor. Tighten the lock nuts.



Connection to water supply

Water connection should be carried out by an appropriately qualified person. Connect the machine using the accompanying supply hose. Water pressure should be 0.1–1MPa (approx. 1–10kp/cm²; 10–100N/cm²). There should be a stopcock on the water pipe.

If the pipes are newly installed, it may be wise to flush them through so that any dirt is washed away. Otherwise, dirt can clog the filter in the machine's water intake and cut off the water supply.

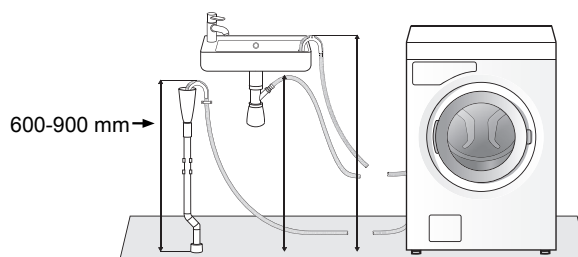


Use only the supply hose supplied with the machine. Do not re-use old hoses or other loose supply hoses.

Drainage connection

The machine is supplied with a drainage hose attached, which must be connected to a drain. See the examples below. The height must be 600-900 mm above floor level.

The lower position (600 mm) is always preferable. Ensure that the drainage hose has no kinks.

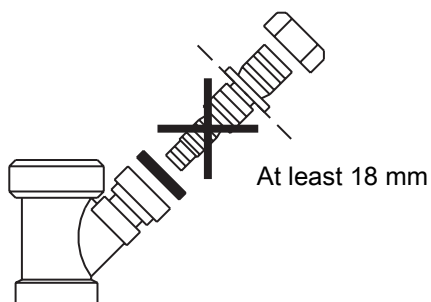


Installation

The machine can also be connected to the drain via a spigot connection. In this case the hose should also be 600-900 mm above the floor. The internal diameter of the hole should be at least 18 mm.

- Cut the nipple
- Remove burrs from the hole.

See the illustration.



Electrical installation

Connect the machine by plugging it into an earthed wall socket. The electrical wall socket must be placed outside of the installation area to be easily accessible.

Connection on delivery

The machine is supplied as 1-Phase, 220-230V, 50-60Hz, heat output 2000W and has a 10A plug. Any residual current devices must be type A.

NOTE!

Repairs and maintenance relating to safety or performance must be carried out by a qualified professional.

Service

Before contacting the service division

Before you contact the service division, make sure that you know the model designation, type designation and serial number.

The model designation can be found on the panel. The type designation and serial number can be found on the type plate on the inside of the washer door.

