

# USER MANUAL

## IR DIGITAL COLOR CCD CAMERA

Before installing and using the camera, please read this instruction carefully. Be sure to keep it handy for later reference.

### CAUTION:

#### 1. Do not attempt to disassemble the camera.

In order to prevent electronic shock, do not remove screws or cover. There are no user-serviceable parts inside. Refer all servicing to qualified service personnel.

#### 2. Handle the camera with care.

The camera could be damaged by improper handling or storage.

#### 3. Do not use strong or abrasive detergents when cleaning the Camera body.

Use a dry cloth to clean the camera when dirty. In case the dirt is hard to remove, use a mild detergent and wipe gently.

#### 4. Never point the camera toward the sun.

Whether the camera is used outdoors or not, never point it toward the sun. Use carefully when operating the camera in the vicinity of spot lights or other bright lights and light-reflecting objects.

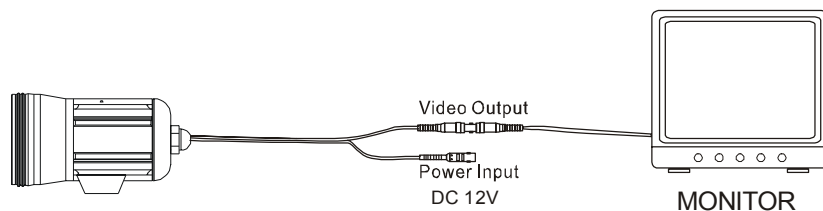
#### 5. Do not operate the camera beyond its temperature, humidity or Power source ratings.

Do not use the camera in an extreme environment where high temperature or high humidity exists. Use the camera under conditions where temperature are between 14 F-122 F (-10)°C~+50°C, and humidity is below 85%. For the correct power supply, refer to the specification sheet.

### INSTALL :

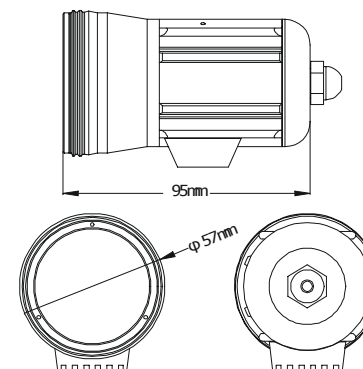
1. Connect camera according to the following drawing to monitor and power equipment.

Figure



\*CONNECTION

### EXTERNAL DIMENSIONS



(Standard Attachment Excluding Bracket)

### SPECIFICATIONS

MODEL No.	CCD-636D
Pick-up Device	1/4" SHARP CCD
Scanning Area	3.6mm(H)×2.7mm(V)
Picture Element	PAL:500(H)×582(V)
TV System	PAL
Horizontal Resolution	420 TV Lines
Minimum Illumination	IR ON 0Lux
S/N Ratio	More than 48dB
Auto Electronic Shutter	PAL:1/50s-1/100,000s
Auto Iris Control	—
Gamma Characteristic	0.45
Auto Gain Control	Auto
Auto White Balance	Auto
Back Light Compensation	Auto
Synchronous System	Internal Synchronization
Lens Mount	Board lens:6mm
Video Output	1.0Vp-p, 75 Ω, BNC Connector
Infrared Lamps Irradiation Distance	15M
Protection Rate	Ip66
Power Supply	DC 12V
Power Consumption	110mA(IR ON, MAX160mA)
Operating Temperature	-10°C~+50°C
Dimensions(W×D×H)	Φ 57mm×95mm
Lens (focal length/view length)	6mm/51° 38