



## Operating instructions

Manufactured and distributed  
by  
SLL Trading GmbH

# Overview of CigarSpa

## Evaporation Unit

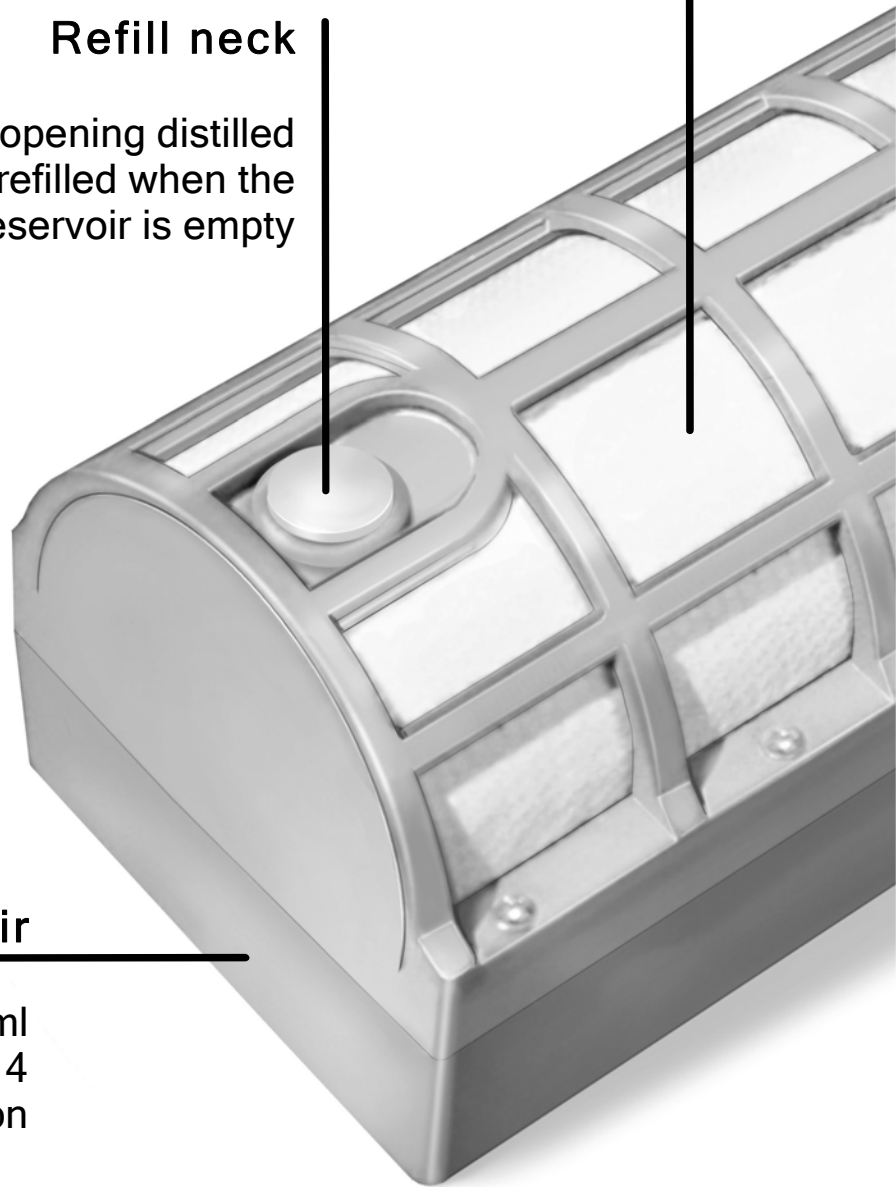
consists of an optimal combination of materials for evaporation of water

## Refill neck

Through this opening distilled water can be refilled when the reservoir is empty

## Water reservoir

The reservoir holds up to 230ml water which is enough for 4 months of operation



## Button

Easy operation to set the nominal relative humidity level between 55% to 75%

## Climate sensor

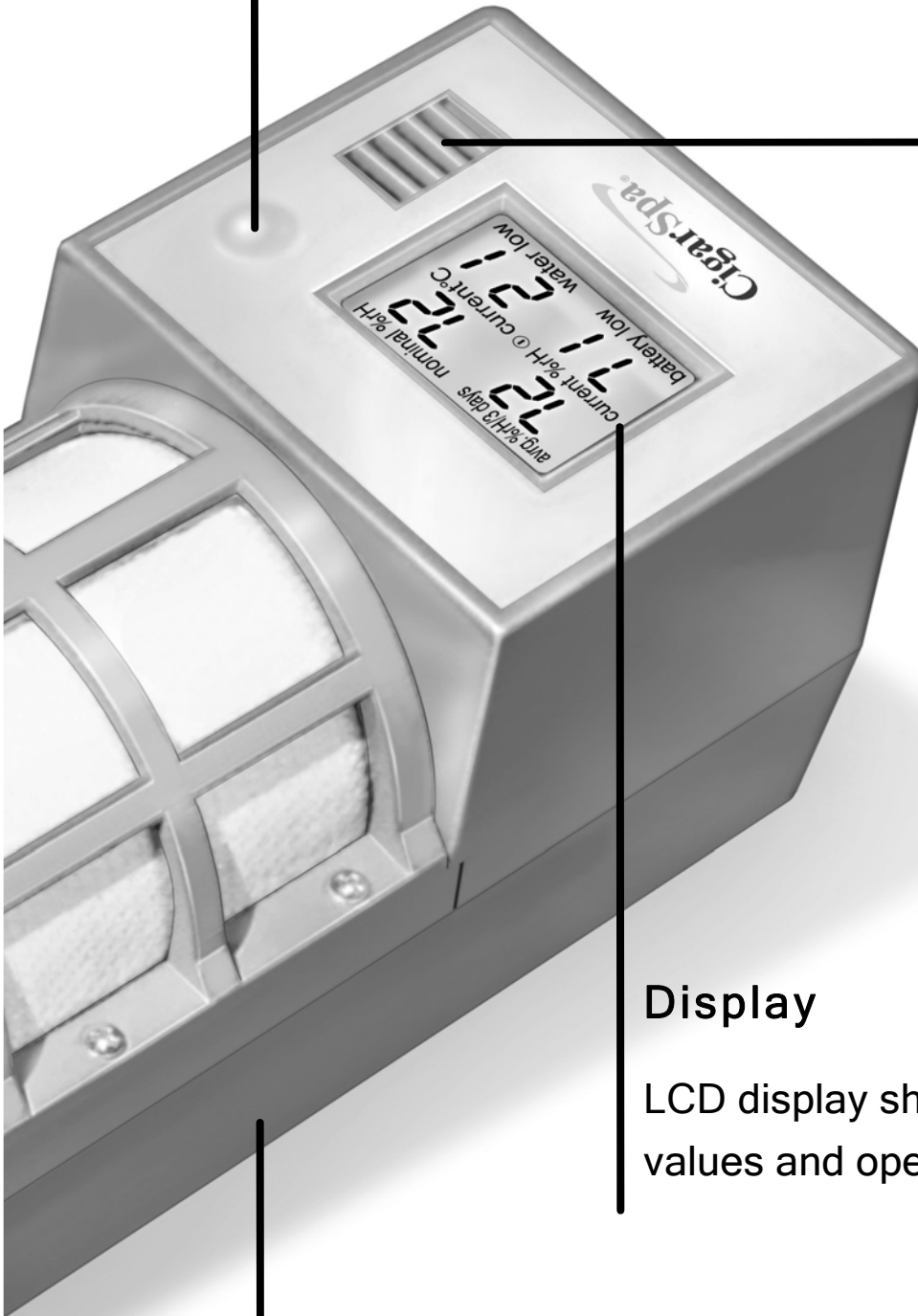
The climate sensor measures relative humidity and temperature with high accuracy

## Display

LCD display showing measured values and operating conditions

## Battery compartment

The battery compartment houses 4 type AA Mignon batteries for 1 - 2 years of operating time



Congratulations for deciding to let CigarSpa take care of your cigars in future.

By observing the following information your CigarSpa will give you the pleasure of smoking perfectly conditioned cigars.

## General information

CigarSpa optimises the storage conditions in your humidor and takes care that your cigars develop their full flavour when smoked.

CigarSpa achieves this by measuring and regulating the humidity in the air surrounding the cigars. A large area for evaporating water is provided on the upper part of CigarSpa consisting of a breathing membrane. This material retains water but lets water vapour penetrate. When the humidity level is too low a small pump transports water underneath this membrane. Water evaporates and raises the relative humidity in your humidor.

CigarSpa is equipped with an electronic microcontroller which regulates with high accuracy and reliability the relative humidity. In order to always have your cigars stored in the best possible climate sophisticated software continuously regulates the amount of humidification.

Cigarspa operates simply with distilled water and is powered by batteries. Under normal conditions the batteries last about 1 year.

Water consumption is influenced by your type of humidor and the condition of your cigars. Normally a filled reservoir should be sufficient for 4 months of operation

# Setting up

CigarSpa is delivered with batteries installed and in off-mode. You will find the display as shown in **Figure 2**.

CigarSpa should be operated in horizontal position with the display facing upwards.

Before switching on the device you should fill the reservoir with distilled water (please use the funnel provided). Then press the button once. CigarSpa switches to operation-mode and starts regulating the humidity.

Within a few days, CigarSpa will bring your humidor - and therefore your cigars - to the desired or nominal humidity level.

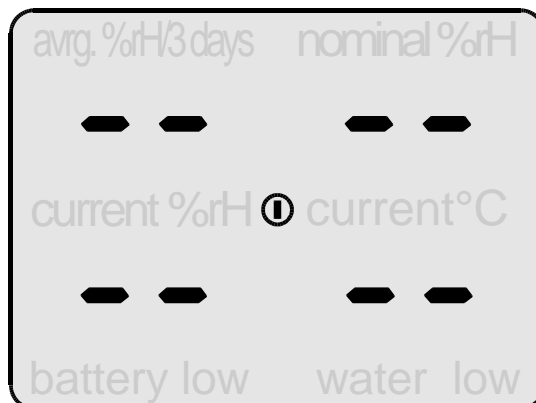
Initially CigarSpa is set to a nominal humidity value of 71%. You can adjust this value easily to your preferred level (see „Setting the nominal humidity“).

**You should always use distilled water!**

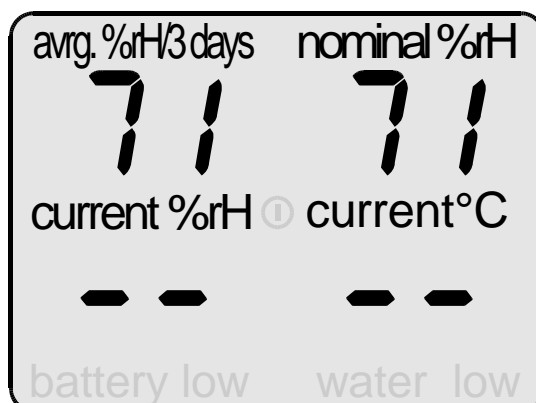
# Display / Operation



**Figure 1:**  
Display of CigarSpa in operation-mode (on)



**Figure 2:**  
Display of CigarSpa in off-mode



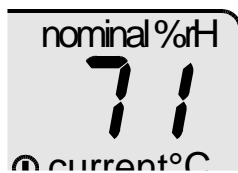
**Figure 3:**  
Display of CigarSpa during measurement

Besides the regulation of the humidity CigarSpa offers you various information about the conditions in your humidor. For this purpose four values are shown in the display.



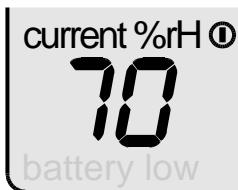
#### TOP LEFT VALUE

The relative humidity in your humidor averaged over the last three days is displayed. This is the most significant value for the condition of your cigars because the exchange of humidity is a slow process which takes a couple of days.



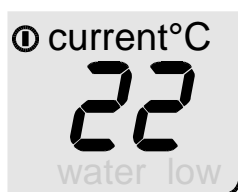
#### TOP RIGHT VALUE

The pre-selected nominal value of the relative humidity is displayed. CigarSpa then regulates the relative humidity in your humidor to this value. You can choose your preferred relative humidity level between 55 - 75 %.



#### BOTTOM LEFT VALUE

The current relative humidity is displayed. This value is updated every 30 minutes. When you press the button once CigarSpa measures and updates this value.



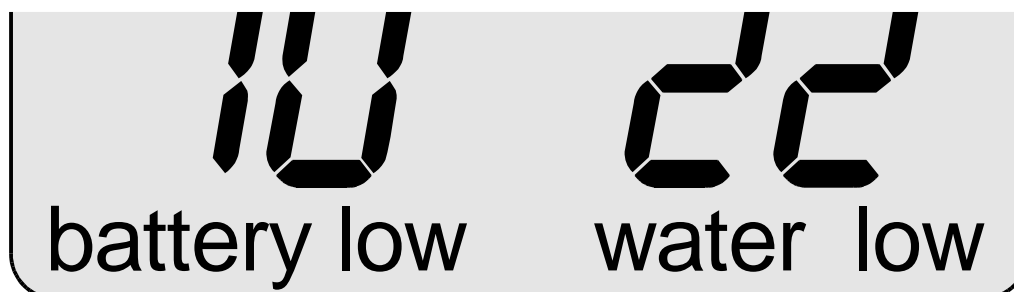
#### BOTTOM RIGHT VALUE

The current temperature is displayed. When you press the button once CigarSpa measures and updates this value.

Please notice that the displayed values are updated every 30 minutes. To obtain the current values please press the button once.

# Symbols

CigarSpa controls whether the reservoir is filled with water and the condition of the batteries. This is indicated by displaying "water low" and "battery low".

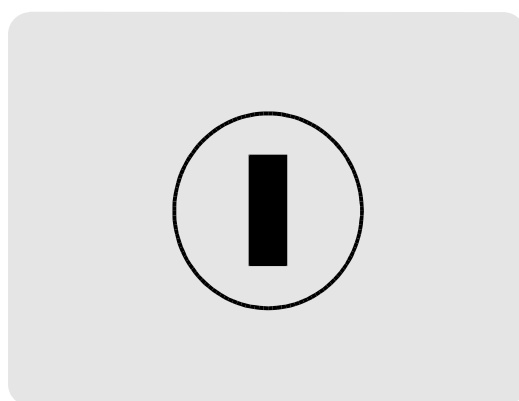


**Figure 4:**

Display when the water reservoir is empty or the batteries are weak

**battery low:** Within short you should exchange the batteries.

**water low:** The water reservoir is empty. To continue operation you should refill the water. Then press the button once to reactivate the device.



**Figure 5:**

The Stand-by symbol

In the middle of the display the stand-by symbol is shown. This symbol disappears only when CigarSpa updates all values (every 30 minutes or through pressing the button). After appr. 5 seconds CigarSpa switches back to stand-by.



# Setting the nominal humidity

The user of CigarSpa has the option to choose a preferred humidity level. A nominal relative humidity value can be set between 55% und 75%. When delivered the preset value is 71%. According to our experience cigars develop their optimal smoking pleasure close to 71%.

To reach the mode to set your personal humidity level first press the button once, this will result in an update of the measured values and then press the button twice within a short interval. In case this procedure is not successful the first time, just try again. When the device has reached the mode for altering the humidity level the display will be shown as in Figure 6.

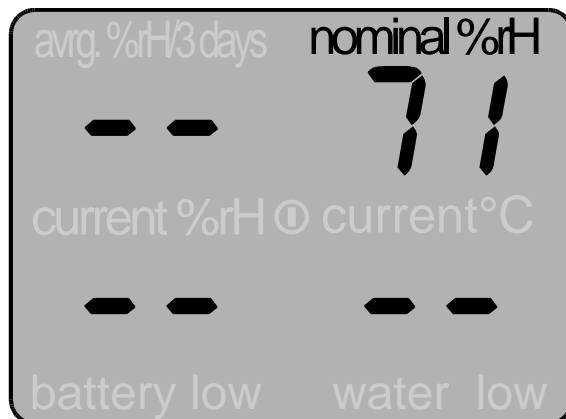


Figure 6:

Display during setting the nominal humidity

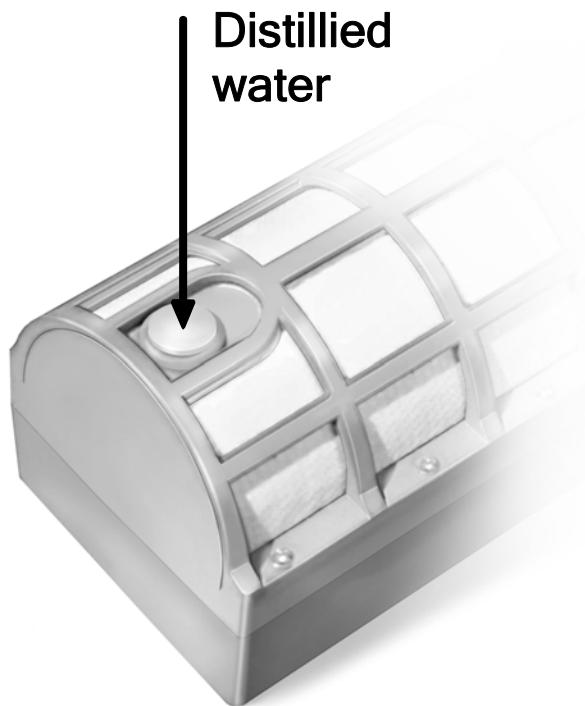
By pressing the button in this mode the preset value will be incremented by 1%. Following 75% the displayed value will jump to 55%. Just press the button as many times until you have reached your desired nominal humidity value. Provided you do not press the button again within the next 5 seconds the display switches to the normal mode and your chosen humidity value is stored and displayed as nominal value.

# Switching On/Off

You can switch off CigarSpa when you want it to be inactive. Just press the button for about 10 seconds. The device will switch to the "off" state, the original state of delivery. To reactivate CigarSpa again just press the button once.

# Refilling the reservoir

CigarSpa has an opening to fill the tank with distilled water. Remove the plug and use the supplied funnel for filling, then put the plug back.



**Figure 7:**

Position of the tank opening to fill with distilled water

# Exchanging the batteries

Once the batteries are approaching low level the "battery low" warning sign will appear on the display. Please change batteries within the next few weeks. You are advised to empty the tank before in order to avoid any problems of water leakage when turning the device upside down to replace the batteries. To remove the lid of the battery compartment unscrew with a cross recessed screw driver. The new batteries have to be inserted as indicated on the sticker inside the battery compartment. Then close the lid and fill the tank with distilled water again.

Please empty the water reservoir prior to exchanging the batteries.

## Frequently asked questions

**Why is the current %rH value sometimes higher than the nominal value?**

To properly condition the cigars the average relative humidity is decisive. When the evaporation process is active the actual relative humidity can temporarily exceed the desired nominal value. This is part of the regulating process and only lasts for short time periods. To judge the conditioning of your cigars the average relative humidity during the last three days is the meaningful value.

**Why should I use distilled water?**

Using normal water from the tap could result in deposits of non-evaporating solids and organic contaminants. This could adversely effect the operation of the device. We therefore advise to use distilled water.

# Technical Data

Batteries .....	4x AA Mignon
Volume of water reservoir .....	230 ml
Weight .....	350 g
Accuracy of relative Humidity .....	+ - 2% rH
measurement (15-30°C and 60-85%rH)	+ - 1 digit
Accuracy of temperature .....	+ - 1° Celsius
measurement (15-30°C)	+ - 1 digit
Lifetime of batteries .....	1 - 2 Years

## Information and Service

### **SLL Trading GmbH**

Zur Mühle 2-4 50226 Frechen · Germany  
Fax +49 (0) 2234-983387

sll-trading@t-online.de · [www.cigarspa.com](http://www.cigarspa.com)