

Series RT

Spring Driven Hose Reels

Operating Instructions

Thank you for purchasing a Reelcraft product. We wish you success in the critical function it will provide you in your business, home workshop or garage. We invite your comments, ideas and suggestions.

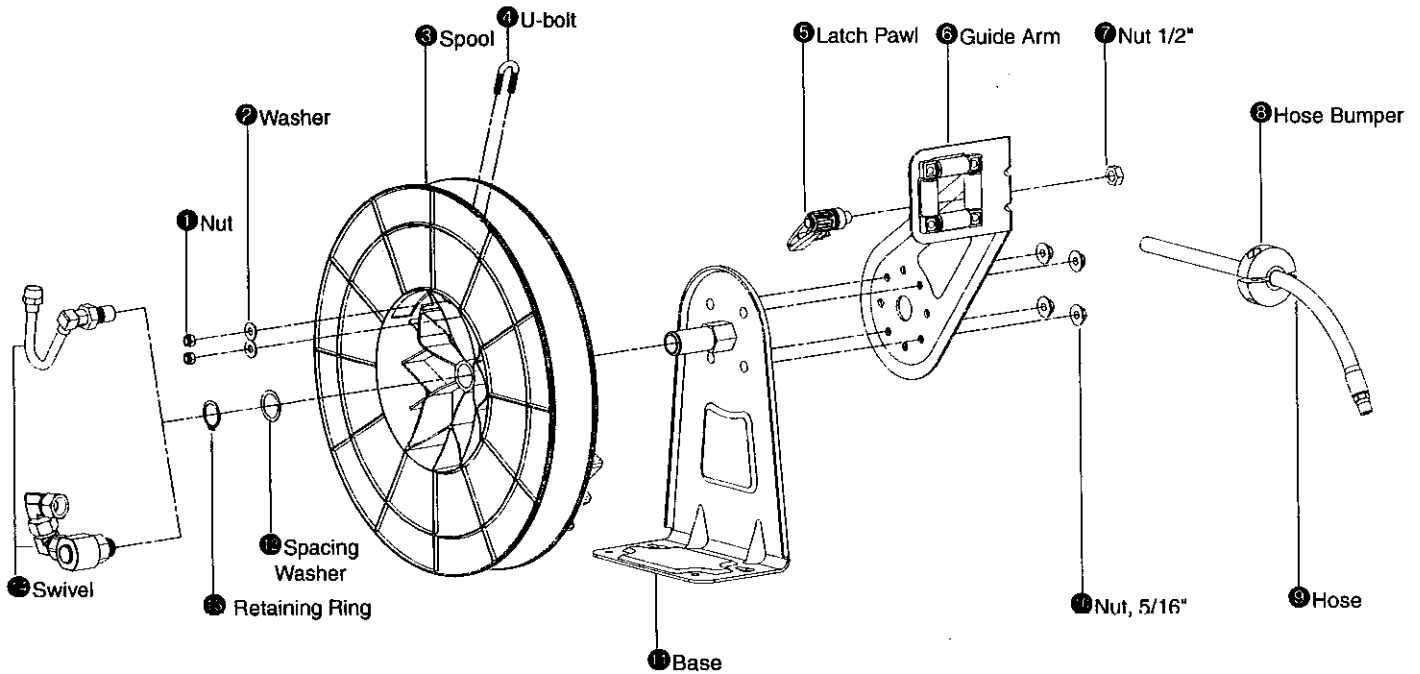
Someone is waiting to talk with you at 1-800-444-3134.

Language translations are available on our website at www.Reelcraft.com.



Form No. 1121-802
Rev.

Exploded View - Low Pressure Model



**Low Pressure, all 1/4" hose models,
3/8" hose models - 25 and 35 foot long hose models only**
(RT402-OLP, RT425-OLP, RT403-OLP, RT435-OLP,
RT405-OLP, RT450-OLP, RT602-OLP, RT625-OLP,
RT603-OLP, RT635-OLP)

Item	Description	Qty.	Part Number
1	Nut, 1/4"	2	*
2	Washer	2	*
3	Spool/Drive Spring	1	S600827
	Spool/Drive Spring for RT405-OLP & RT450-OLP only	1	S600860
4	U-Bolt 1/4" & 3/8" Hose	1	*
5	Latch Pawl	1	S600823
6	Guide Arm	1	S600825
7	Nut, 1/2"	1	S76-108
8	Hose Bumper 1/4" Hose	1	1-HR1004A
	Hose Bumper 3/8" Hose	1	1-HR1004
9	Hose 1/4" ID x 25 ft.	1	601001-25
	Hose 1/4" ID x 35 ft.	1	601001-35
	Hose 1/4" ID x 50 ft.	1	601001-50
	Hose 3/8" ID x 25 ft.	1	601013-25
	Hose 3/8" ID x 35 ft.	1	601013-35
10	Nut, 5/16"	4	**
11	Base Assembly	1	600824
12	Spacing Washer	1	*
13	Retaining Ring	1	*
14	Swivel	1	S600886

* Included in Hardware Kit S600897

** Included in Hardware Kit S600900

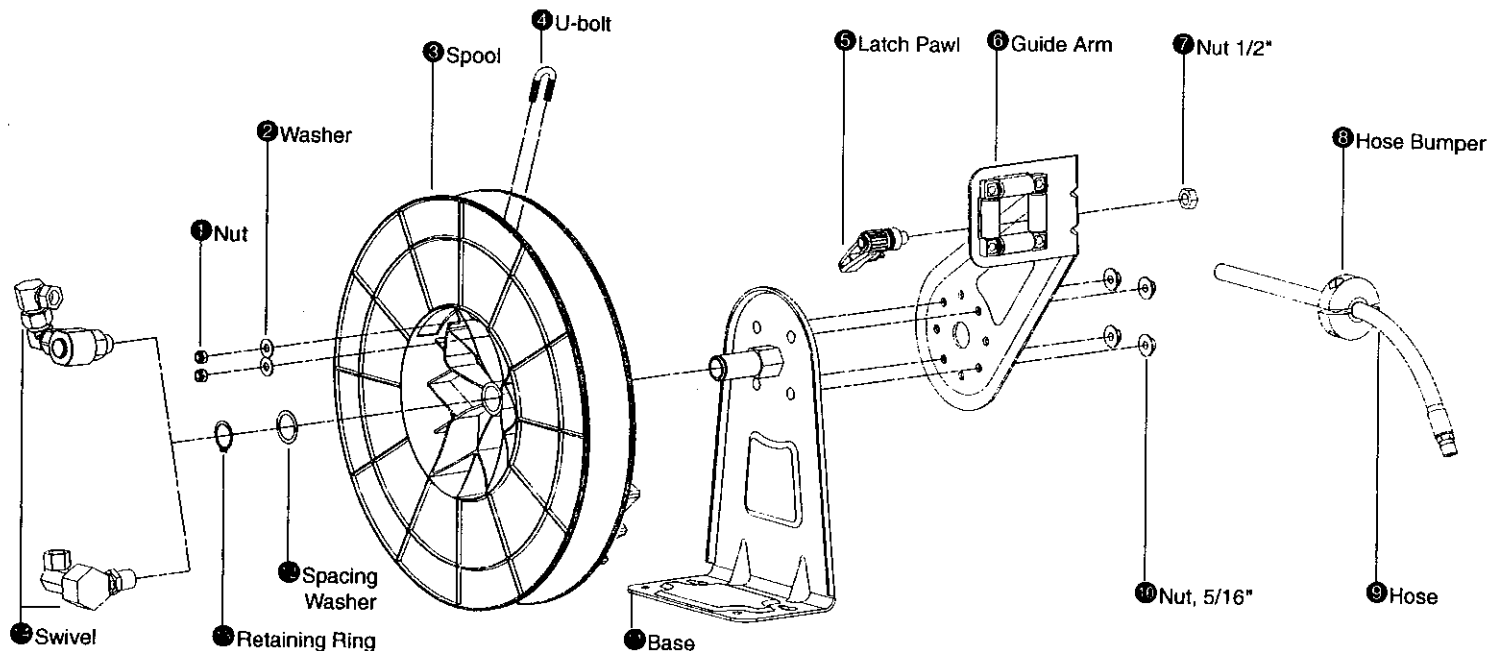
**Low Pressure, 3/8" hose- 50 foot long hose models,
All 1/2" hose models**
(RT605-OLP, RT650-OLP, RT802-OLP, RT825-OLP,
RT803-OLP, RT835-OLP)

Item	Description	Qty.	Part Number
1	Nut, 1/4"	2	*
2	Washer	2	*
3	Spool/Drive Spring (RT605 and RT650 only)	1	S600828
	Spool/Drive Spring	1	S600879
4	U-Bolt 3/8" and 1/2" Hose	1	*
5	Latch Pawl	1	S600823
6	Guide Arm	1	S600826
7	Nut, 1/2"	1	S76-108
8	Hose Bumper 3/8" Hose	1	1-HR1004
	Hose Bumper 1/2" Hose	1	2-HR1004-3
	Hose 3/8" ID x 50 ft.	1	601013-50
9	Hose 1/2" ID x 25 ft.	1	601020-25
	Hose 1/2" ID x 35 ft.	1	601021-35
10	Nut, 5/16"	4	**
11	Base Assembly	1	600833
12	Spacing Washer	1	*
13	Retaining Ring	1	*
14	Swivel 3/8" (RT605 AND RT650 only)	1	S600886
	Swivel 1/2"	1	S600914-1

* Included in Hardware Kit S600897

** Included in Hardware Kit S600900

Exploded View - Medium Pressure Model



Medium Pressure, all 3/8" hose models

High Pressure, All 1/4" models, 3/8" 25 foot hose models
 (RT602-OMP, RT625-OMP, RT603-OMP, RT635-OMP,
 RT402-OHP, RT425-OHP, RT403-OHP, RT435-OHP, RT602-
 OHP, RT625-OHP)

Item	Description	Qty.	Part Number
1	Nut, 1/4"	2	*
2	Washer	2	*
3	Spool/Drive Spring	1	S600878
4	U-Bolt 1/4" and 3/8" Hose	1	*
5	Latch Pawl	1	S600823
6	Guide Arm	1	S600825
7	Nut, 1/2"	1	S76-108
8	Hose Bumper 1/4" & 3/8" Hose	1	1-HR1004
9	Hose 3/8" ID x 25 ft. Med. Pres.	1	12-260043
	Hose 3/8" ID x 35 ft. Med. Pres.	1	44-260043
	Hose 1/4" ID x 25 ft. High Pres.	1	10-260044
	Hose 1/4" ID x 35 ft. High Pres.	1	20-260044
	Hose 3/8" ID x 25 ft. High Pres.	1	25-260044
10	Nut, 5/16"	4	**
11	Base Assembly	1	600824
12	Spacing Washer	1	**
13	Retaining Ring	1	**
14	Swivel, Med. Pressure 3/8"	1	S600913-1
	Swivel, High Pressure 1/4"	1	S600905
	Swivel, High Pressure 3/8"	1	S600906

* Included in Hardware Kit S600897

** Included in Hardware Kit S600900

Medium Pressure, all 1/2" hose models

RT802-OMP, RT825-OMP, RT803-OMP, RT835-OMP
High Pressure, 3/8", 35 foot hose models
 RT603-OHP, RT635-OHP

Item	Description	Qty.	Part Number
1	Nut, 1/4"	2	*
2	Washer	2	*
3	Spool/Drive Spring	1	S600879
4	U-Bolt 3/8" and 1/2" Hose	1	*
5	Latch Pawl	1	S600823
6	Guide Arm	1	S600826
7	Nut, 1/2"	1	S76-108
8	Hose Bumper 3/8" Hose	1	1-HR1004
	Hose Bumper 1/2" Hose	1	2-HR1004-3
9	Hose 1/2" ID x 25 ft. Med. Pres.	1	21-260043
	Hose 1/2" ID x 35 ft. Med. Pres.	1	37-260043
	Hose 3/8" ID x 35 ft. High Pres.	1	24-260044
10	Nut, 5/16"	4	**
11	Base Assembly	1	600833
12	Spacing Washer	1	*
13	Retaining Ring	1	*
14	Swivel, Medium Pressure 1/2"	1	S600914-1
	Swivel, High Pressure 3/8"	1	S600906

* Included in Hardware Kit S600897

** Included in Hardware Kit S600900

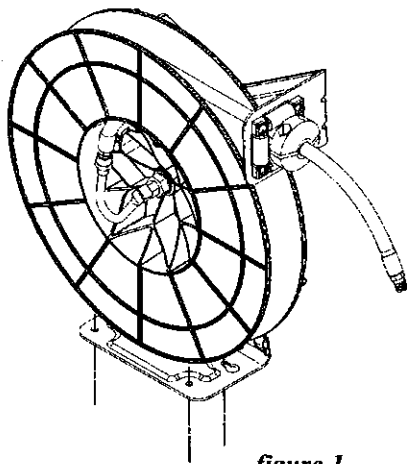


figure 1

Mounting the Hose Reel

Prior to mounting the hose reel, ensure that the supply line pressure does not exceed the maximum working pressure of the hose reel.

Do not exceed the maximum installation height of 16' unless the reel was specified differently when ordering. The maximum operating temperature is 150°F (66°C).

Unpack and inspect the reel for damage. Turn the spool by hand to check for a smooth operation.

Position the reel on the floor, wall or ceiling. Secure into place using four mounting bolts (not included). See the included mounting template for additional instructions for your specific mounting application. Depending on where the reel is placed, it may be necessary to adjust the hose bumper and guide arm to use the hose properly. See the instructions on the next page to adjust the hose bumper and reposition the guide arm.

Mounting Applications

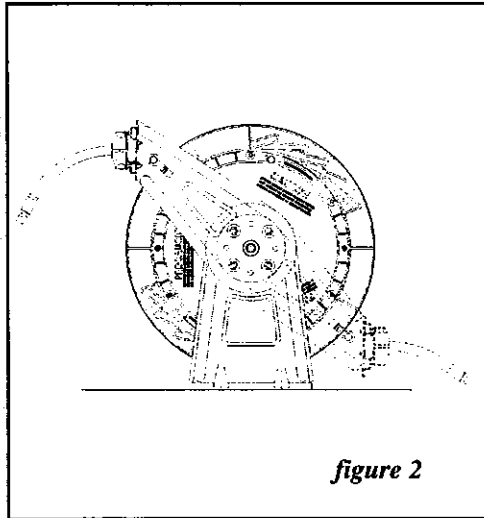


figure 2

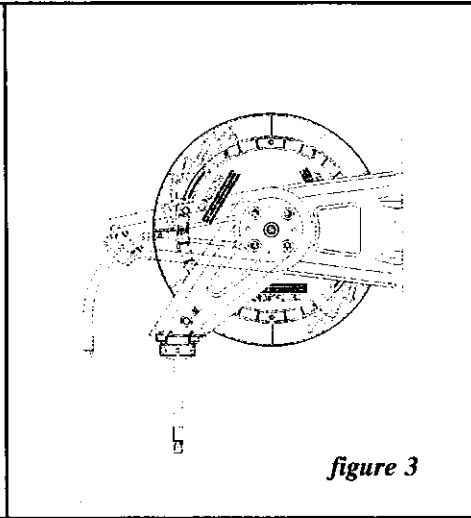


figure 3

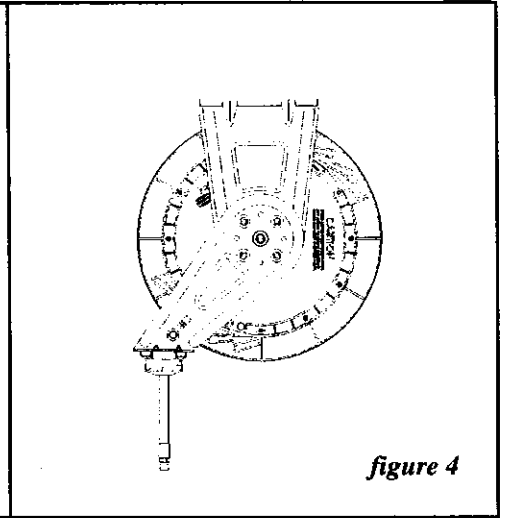


figure 4

Installing the Input Hose

Use a flexible hose connection at input. Do not use rigid plumbing. (input hose not included)

Apply pipe thread sealant to threads on standard reels.

Do not over tighten the connection. Recommended torque should not exceed 70 ft./lb.

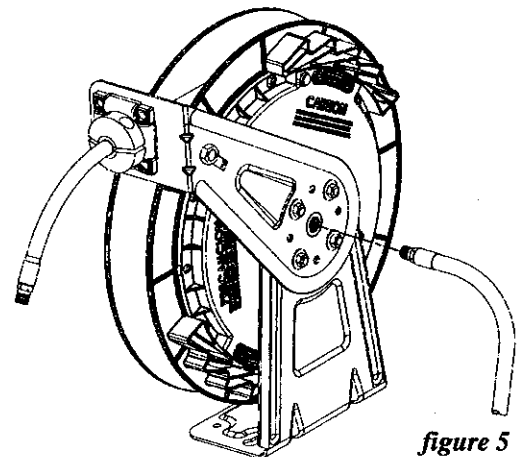


figure 5