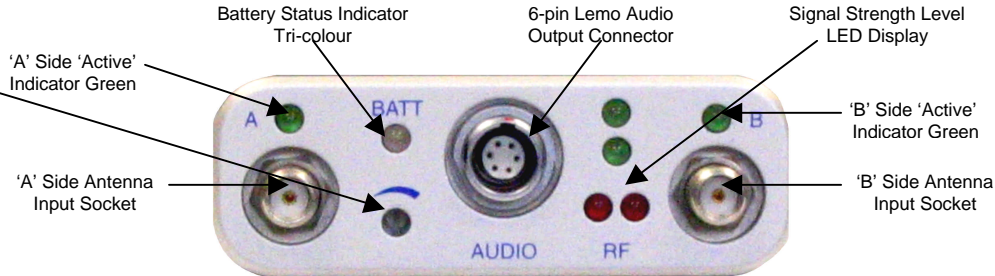


Micron 700 Series – SDR770 – SMALL DIVERSITY RECEIVER - Quick User Guide

Variable Audio Output
0dBV pot @max.
-26dBV pot @min.

Setting Up Procedure:

(1) Connect provided RX antenna (semi-rigid straight & right-angled screw-on SMA antennas)



'A' Side 'Active' Indicator Green

'A' Side Antenna Input Socket

Battery Status Indicator Tri-colour

6-pin Lemo Audio Output Connector

Signal Strength Level LED Display

'B' Side 'Active' Indicator Green

'B' Side Antenna Input Socket

AUDIO

RF

(3) Connect Audio output cable to switch on RX.

If the battery status LED is AMBER replace RX battery

(to remove the audio output cable pull outer shell)

(4) Set the receiver to the required operating frequency

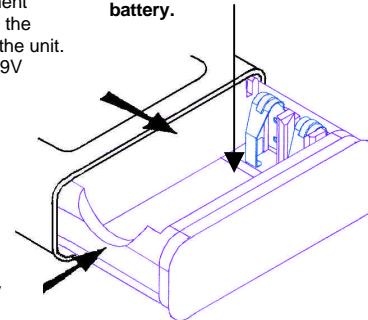
(5) Interference Check

- Switch off TX
- Observe Signal Strength LED Display indicators and listen for possible interfering signals from other transmitters. If there is very strong interference then change the frequency until you find a clean channel.

(6) Set the required audio output level to match input requirements of your system.

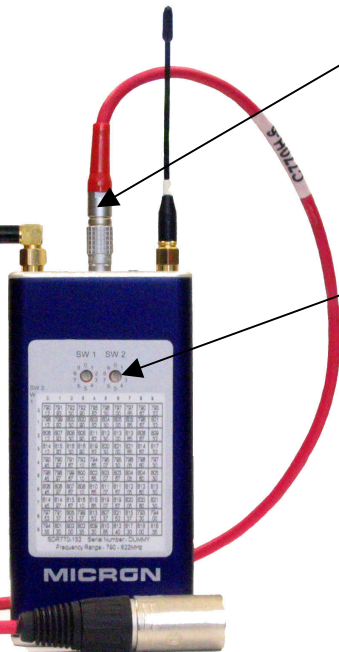
(2) Fit a PP3 9V battery, check RX battery status LED
Please watch polarity of battery.

The battery compartment is opened by pressing the button on the back of the unit. There is a slot for the 9V battery to fit into.



The battery can easily be released with the aid of the thumb.

Battery Life approx. 5 hours



MICRON
by Audio Engineering