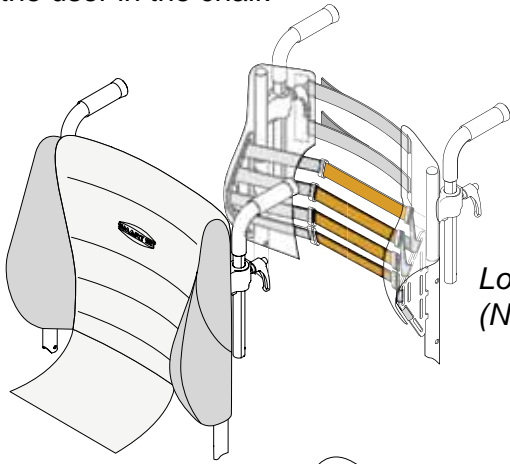
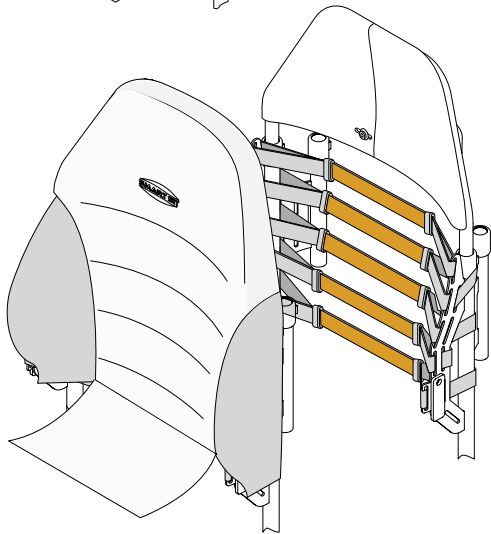


Smartsit is a patented backrest system which gives increased comfort, improved stability and better pressure distribution. The backrest can be adjusted in depth and curvature. Smartsit also has built-in adjustable side supports which can be adjusted in size and shape. The side supports also make it possible to make an asymmetrical backrest. The Smartsit backrest can be set up and adjusted with the user in the chair.



*Low backrest, Legend 2  
(Not Available in Canada)*

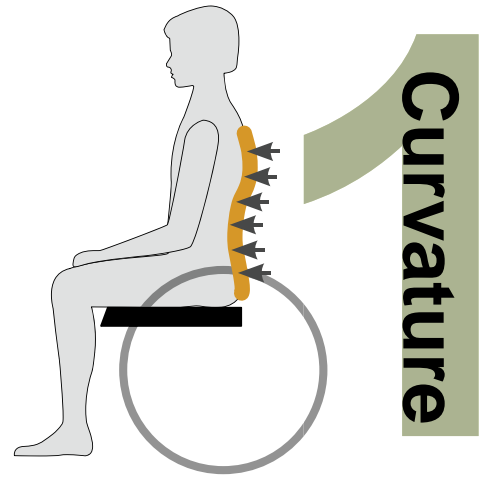


*High backrest,  
Eligo 2 og Emineo*

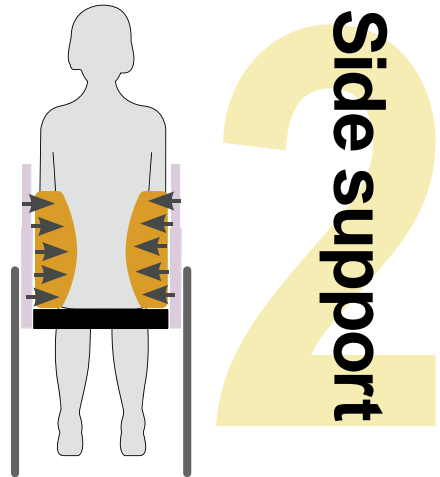
- 1** Level 1 adjustments require general skills in wheelchair adjustment
- 2** Level 2 adjustments require experience and higher skills in wheelchair adjustment
- 3** Level 3 adjustments require experience and special skills in wheelchair adjustment



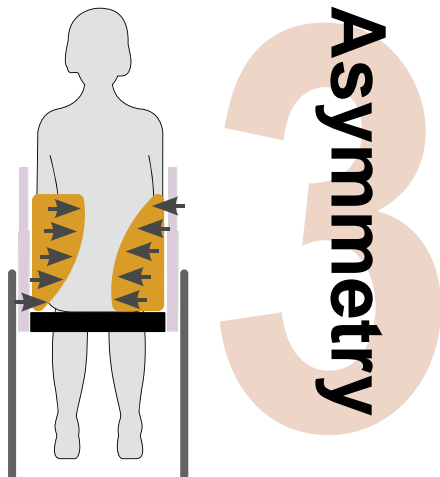
# User Manual



Adjust the backrest for different curvatures (kyphoses). These adjustments are sufficient for most users.



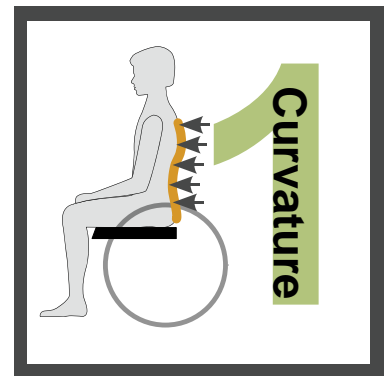
Achieve better sideways stability and comfort by using different sizes and shapes of side support.



Make more advanced adaptations by adjusting the backrest asymmetrically.

## Adjust the curvature of the backrest

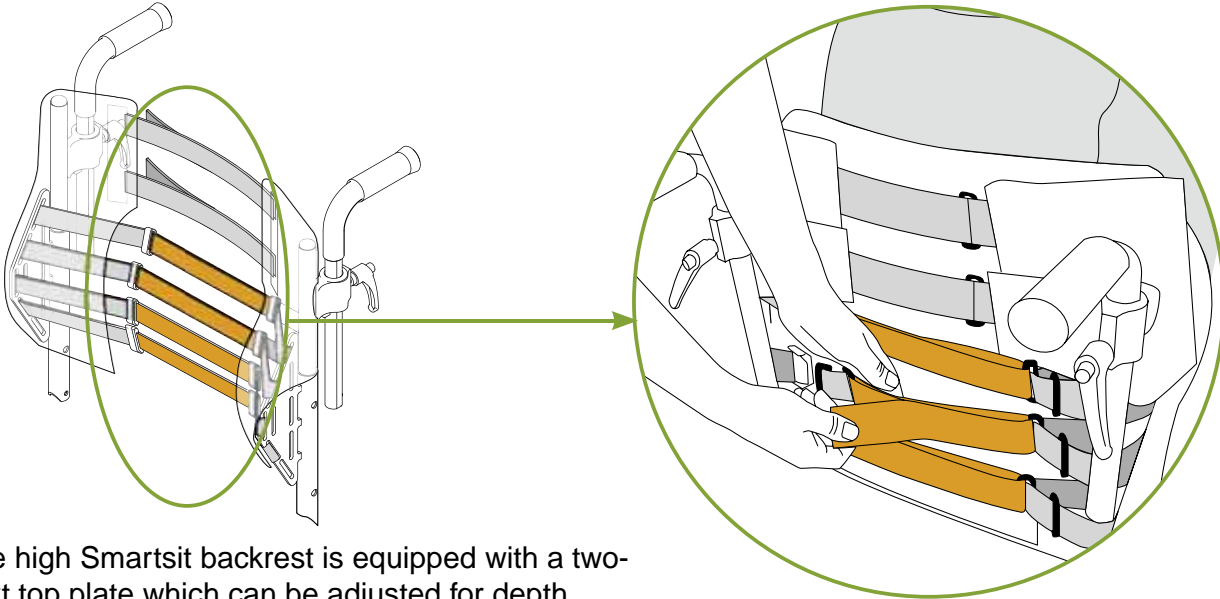
The curvature of the backrest can be adjusted for natural curvatures and kyphoses, as with a normal Velcro backrest. These adjustments should be made by persons with general skills in wheelchair adjustment.



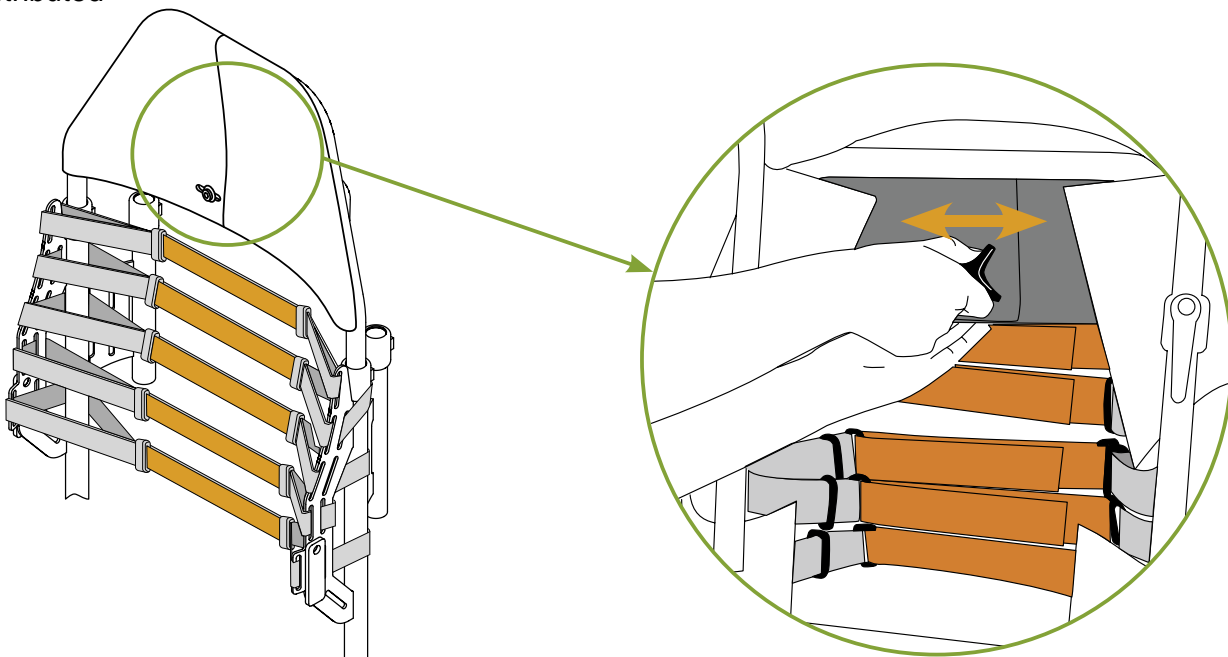
### Before you adjust the Smartsit backrest:

Check that the seat depth and backrest angle are correct (see procedure in the user manual). Adjust the backrest height if necessary (see procedure on last page).

- Slacken all the Velcro bands a little before you begin to adjust the backrest. Start the adjustments with the lowest Velcro band and work upwards
- Tighten or loosen the Velcro bands so that the user gets the maximum comfort and support



- The high Smartsit backrest is equipped with a two-part top plate which can be adjusted for depth
- Adjust the depth by loosening the locking wheel on the back and pushing the plates inwards or outwards. Hold the back edge of the plates firm while you retighten the locking wheel
- Check that the curvature of the plates follows the curvature of the band below so that the pressure is evenly distributed



Check that the seat cushion is correctly positioned. The position of the seat cushion is critical for comfort and stability.

Number of straps on your wheelchair, may vary from the illustrations.

# Adjust the side supports

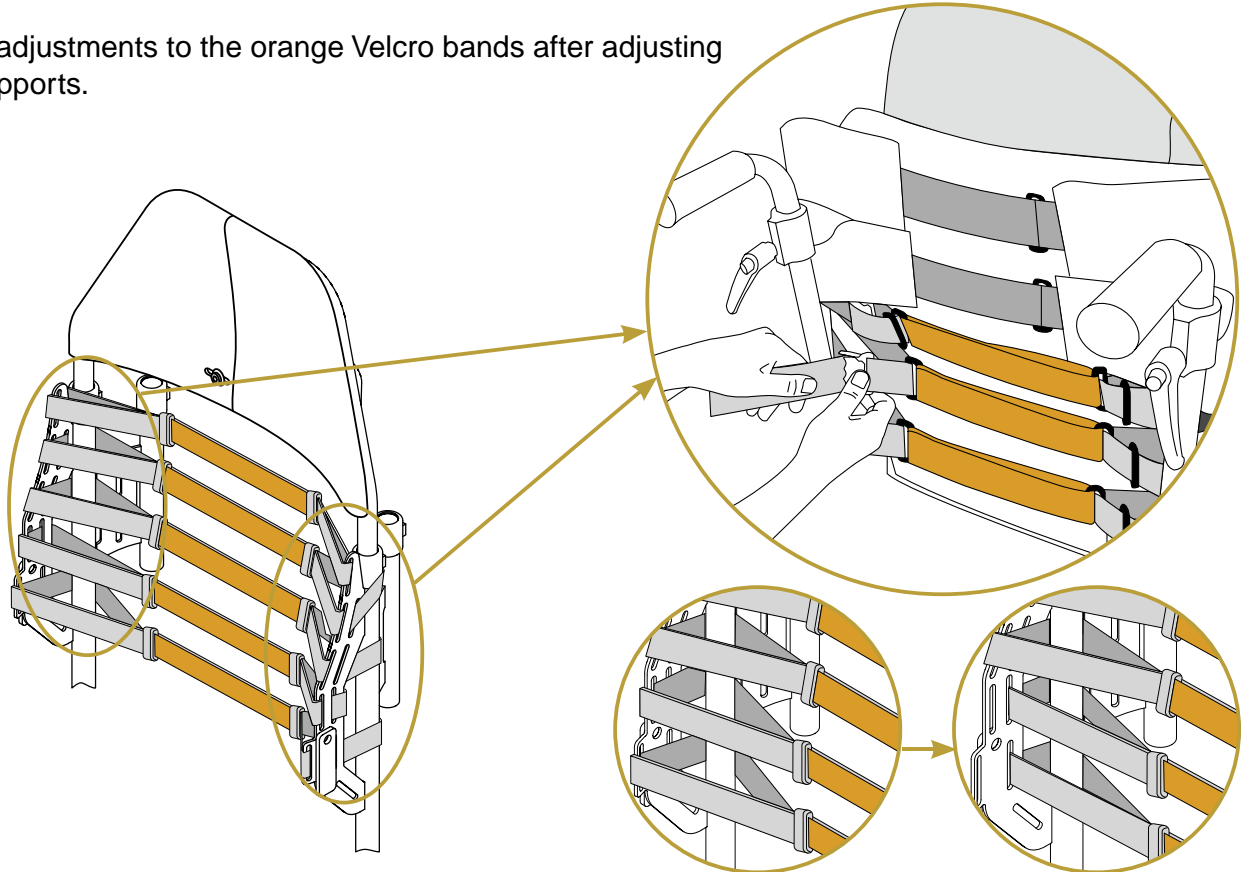
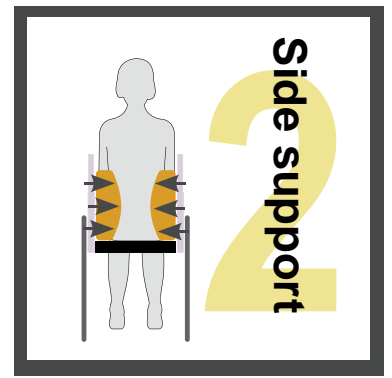
Achieve better sideways stability and comfort by using different sizes and shapes of side support. These adjustments should be made by persons with experience and higher skills in wheelchair adjustment.

Each of the bands in the side supports are separate triangles which can be made different shapes.

## To adjust the shape and size of the side supports:

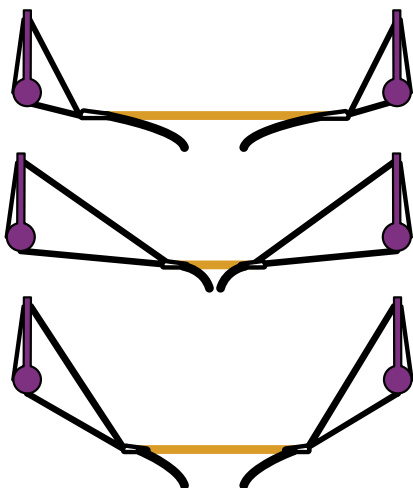
- Loosen or tighten the bands making up the side supports
- Feed the bands through the side support brackets in another position
- Tighten or loosen the orange Velcro bands

Make final adjustments to the orange Velcro bands after adjusting the side supports.



The triangles can be made smaller by feeding the bands through different slits in the side support bracket.

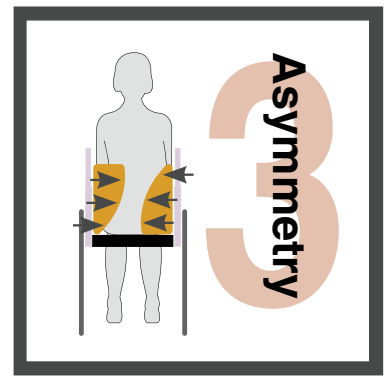
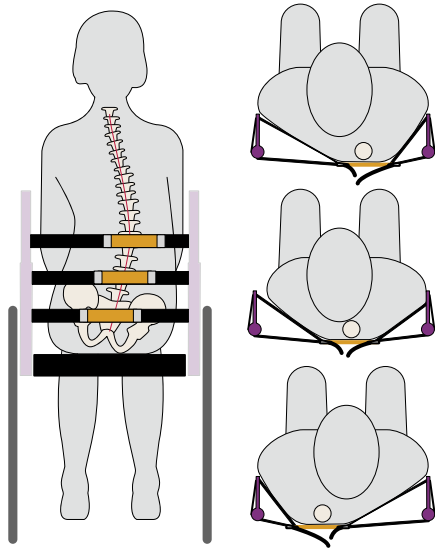
## The principle of the Smartsit backrest, seen from above



- Small triangles give space and support to the broader part of the back
- Large triangles give space and support to the narrower part of the back
- The tightness of the orange Velcro bands determines both the shape of the triangles and the depth of the backrest

## Adjust the side supports asymmetrically

Make more advanced adaptations by adjusting the backrest asymmetrically. These adjustments should be made by persons with experience and special skills in wheelchair adjustment.



Use the methods of adjustment described on the previous pages to adjust the backrest asymmetrically.

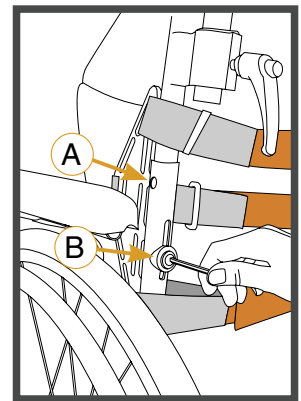
This diagram shows an example of asymmetrical backrest, using different sizes and shapes of triangles.

## Adjusting the backrest height

### Low backrest (Legend 2)

- Loosen the backrest cover and the upper part of the Velcro™ backrest to access the backrest tubing. The backrest tubing has a scale (A) showing the backrest height
- Loosen the screw (B) on both backrest tubes with a 4 mm Allen key
- Raise or lower the backrest to the desired height, re-tighten the screws and replace the backrest cover

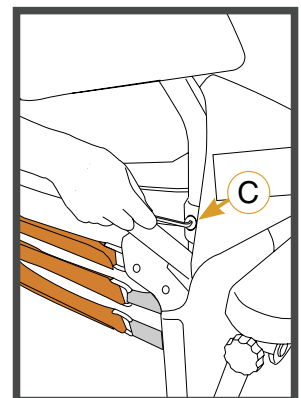
An extra set of straps is supplied with the low backrest which can be fitted if the backrest is to be used in a high position. If the backrest is to be adjusted to a low position, it may be necessary to remove a set of straps.



Low backrest

### High backrest (Emineo and Eligo 2)

- On Eligo 2, you must remove the backrest cover before you can adjust the backrest height
- Loosen the backrest cover in order to access the backrest tubing. If you want to adjust the backrest while the user is sitting in the chair, you must first pick up the part of the backrest cover which is underneath the seat cushion and put it on top of the cushion so that the backrest can be freely pulled upwards without being hindered by the backrest fabric
- Loosen the screw (C) on both sides of the backrest using a 4 mm Allen key
- Pull the upper part of the backrest up or down. (If the backrest has been in the uppermost position, you will need to release the snap lock before you can adjust it downwards.)
- Re-tighten the screws and replace the backrest fabric (and, on Eligo 2, the backrest shell)



High backrest

## Folding up Legend 2 with Smartsit backrest

- Loosen the part of the seat upholstery which is under the seat cushion and push it down between the upholstery and the back of the seat
- Take hold of the back edge of the seat tubing and pull up so that the tubing is free of the side supports. This will avoid the seat tubing getting caught on the backrest cover

