

# **OV303A ADSL Modem**

## **User Guide**

*Ver:1.0*

---

The OV303A ADSL external modem is a customer premises equipment (CPE) that is used for connecting the ADSL Internet service. It is designed as a Plug and Play device and not required any configurations to use. Pre configured as a bridged modem, it is able to support maximum 64 VPI/VCI settings. AS a full rate auto adaptable ADSL modem, it can obtain up to 8Mbps downstream data rate and 1Mbps upstream data rate. The most effective distance reaches 5.4 Km.

## **Prepare to Installation**

### **System Requirement:**

To use the Ethernet interface of the ADSL modem and obtain the optimized performance, the following hardware and operating system are recommended:

Pentium 100MHz or faster

At least 64MB of memory

10M Base T Ethernet adapter or faster

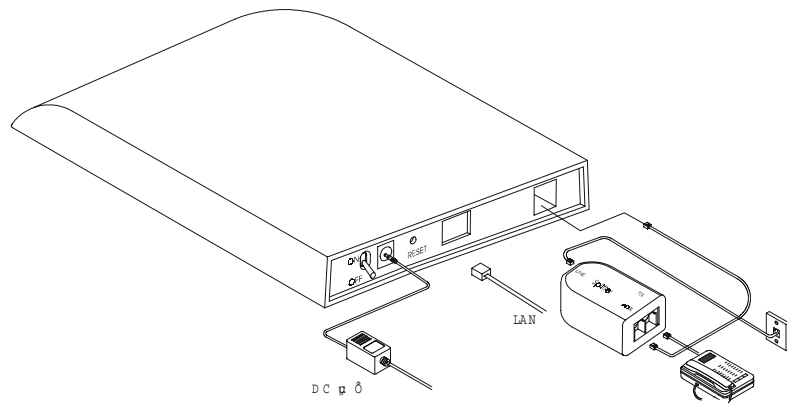
Windows 95, Window 98, Windows ME, Windows NT, Windows 2000, Windows XP or Linux operating system

### **Check the contents of the package:**

- 
1. The ADSL modem package contains following items:
    - a. OV303A ADSL modem
    - b. DC power adapter with output 10Vdc 1000mA
    - c. Telephone cable with RJ11 plugs.
    - d. Ethernet cable with RJ45 plugs.
    - e. Installation Guide

## **ADSL Modem Installation**

1. Plug one end of the Ethernet cable into the Ethernet card installed in your desktop computer, or to the media coupler attached to your laptop computer.
2. Plug the other end of the Ethernet cable into the RJ45 jack on the back of the modem.
3. Plug one end of the phone cable into the telephone wall jack.
4. Plug the other end of the phone cable into the RJ11 jack at the back of the modem.
5. Connect the 10 Vdc power adapter to the modem and then plug the power adapter into the power bar.
6. Turn on the computer and install the PPPoE software to connect the Internet service. Your Internet Service Provider (ISP) must supply the PPPoE software if your service requires PPPoE encryption. If your ISP provider a static IP address rather than the PPPoE, you need to configure the Ethernet card follow your ISP's instructions.



**Notice:**

Please collect your ADSL ISP's related information before installing this ADSL Modem.

VCI

VPI

Encapsulation: VCMUX or LLCMUX

Protocol:

Modulation: ANSI T1.413  G.LITE  G.DMT

User ID and password for PPPoE Encryption

## OV303A Data Sheet

**Modulation:**

Standards compliant fun-rate modem supports

ANSI T1.413 Issue 2

ITU-T G.992.1 (G.dmt)

ITU-T G.992.2 (G.Lite)

MultiMode

**Data Encapsulation:**

Support RFC 1483 Bridge

**LED Specification:**

POWER --- ON: Modem power is up

LAN ----- ON: Modem has built up the connection with the Ethernet adapter  
or a hub

ADSL ----- ON: Modem has synchronized with the DSLAM in physical layer

FLASH: Modem is hand shaking with the DSLAM in physical layer

DATA ----- ON: Modem is receiving and sending data

---

The modem has pre configured **31 popular VPI/VCI settings** on its auto dial list. If your ISP uses one of VPI/VCI settings, you can dial into Internet directly without any further configuration.

8/35	0/36	0/37
0/35	0/34	130/32
0/32	0/127	8/33
8/32	0/104	0/33
8/81	1/100	8/36
0/100	0/40	0/102
8/88	1/40	8/38
0/38	0/39	8/37
8/39	8/40	0/103
8/34	0/105	1/32
0/101		

## Specifications

- T1.413 issue 2, G.lite and G.dmt Annex A, B ADSL standards
- Inter-op with all major DSLAMs based on Alcatel., ADI., Globespan., and TI. chipsets
- 1 VC with UBR ATM category (VCI, VPI pre-configured and Auto-configuration)
- Up to 8Mbps downstream data rate/ 1Mbps upstream data rate
- The most effective distance: 5.4 Km
- 10 Base-T half-duplex Ethernet interface for Eagle™ Bridge Device.

- 
- 10/100 Base-T half-duplex Ethernet interface for Eagle II™ Bridge Device.
  - RFC2684 (1483) bridged mode (VCMux and LLC) encapsulation
  - Compact size
  - Three connectors:
    - Power
    - Ethernet
    - ADSL
  - Only four LED indicators:
    - Power (indicates power is ON/OFF)
    - LAN (indicates Ethernet link is established)
    - ADSL (indicates CO link is established)
    - DATA (data transferring)
  - No NT configuration is required as part of installation (The modem is fully factory-pre configured to the operator.)
  - Remote check of ATM Operational status (VP/VCC loop back and continuity check)
  - Software upgradeable from LAN
  - Performance information is available for LAN hosts with the use of Host Client Software.
  - Optional:
    - Bridge Lock for enhanced security
    - “Dying Gasp” support